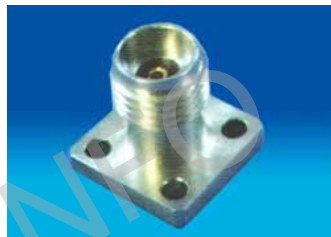
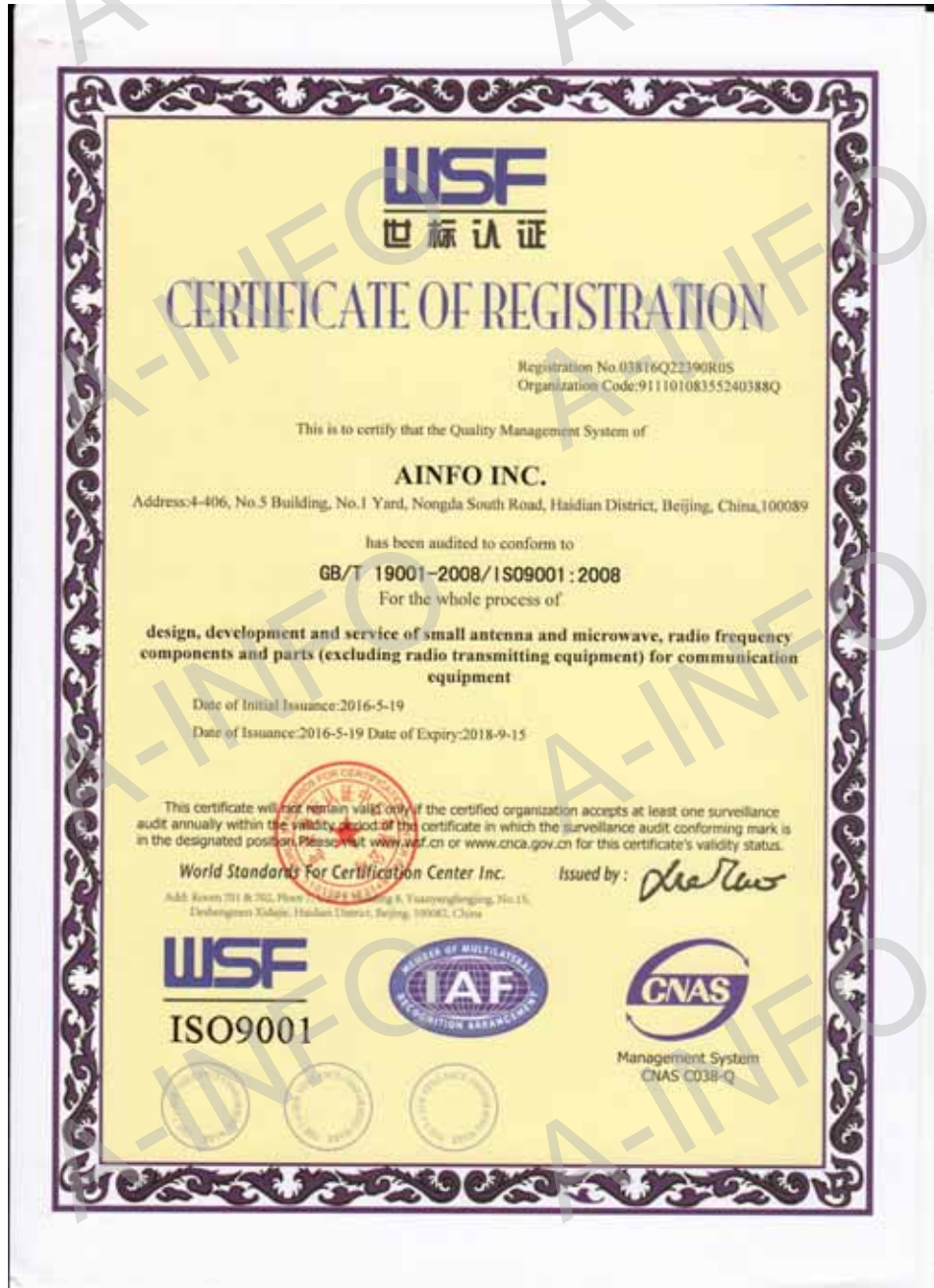


A-INFO Microwave

Connector, Adapter And Cable Assembly



Chengdu AINFO Inc. is an ISO 9001:2008 certified manufacturer.



Content

RF COAXIAL CONNECTORS	1
<i>SMA CONNECTOR SERIES</i>	2
<i>TNCA CONNECTOR SERIES</i>	34
<i>2.92MM CONNECTOR SERIES</i>	38
<i>2.4MM CONNECTOR SERIES</i>	55
N TYPE CONNECTOR SERIES.....	71
SSMA CONNECTOR SERIES.....	80
1.85MM CONNECTOR SERIES.....	85
RF COAXIAL ADAPTERS	89
N TYPE IN-SERIES ADAPTERS.....	90
N TYPE IN-SERIES RIGHT ANGLE ADAPTERS.....	92
SMA IN-SERIES ADAPTERS.....	93
SMA IN-SERIES RIGHT ANGLE ADAPTERS.....	95
3.5MM IN-SERIES ADAPTERS.....	96
3.5MM IN-SERIES RIGHT ANGLE ADAPTERS.....	97
2.92MM IN-SERIES ADAPTERS.....	98
2.92MM IN-SERIES RIGHT ANGLE ADAPTERS.....	100
2.4MM IN-SERIES ADAPTERS.....	101
TNC IN-SERIES ADAPTERS.....	102
TNCA IN-SERIES ADAPTERS.....	103
1.85MM IN-SERIES ADAPTERS.....	104
N-3.5MM BETWEEN SERIES ADAPTERS.....	105
N-2.92MM BETWEEN SERIES ADAPTERS.....	106
N-2.4MM BETWEEN SERIES ADAPTERS.....	107
N-TNC BETWEEN SERIES ADAPTERS.....	108
N-SMA BETWEEN SERIES ADAPTERS.....	109
N-TNCA BETWEEN SERIES ADAPTERS.....	111
3.5MM-2.92MM BETWEEN SERIES ADAPTERS.....	112
3.5MM-2.4MM BETWEEN SERIES ADAPTERS.....	114
3.5MM-SMA BETWEEN SERIES ADAPTERS.....	115
3.5MM-1.85MM BETWEEN SERIES ADAPTERS.....	116
2.92MM-2.4MM BETWEEN SERIES ADAPTERS.....	117
2.92MM-SMA BETWEEN SERIES ADAPTERS.....	119
2.92MM-1.85MM BETWEEN SERIES ADAPTERS.....	120
2.4MM-SMA BETWEEN SERIES ADAPTERS.....	121
2.4MM-1.85MM BETWEEN SERIES ADAPTERS.....	122
TNC-SMA BETWEEN SERIES ADAPTERS.....	123
TNCA-SMA BETWEEN SERIES ADAPTERS.....	124
7MM SERIES ADAPTERS.....	125
QUICK REPLACEMENT ADAPTERS.....	126
ADAPTER KITS	127
APPLICATION NOTES	130
GLASS BEADS	134
CABLE ASSEMBLY	136
DC-3GHZ CABLE ASSEMBLY.....	137
DC-6GHZ CABLE ASSEMBLY.....	138
DC-12GHZ CABLE ASSEMBLY.....	139
DC-18GHZ CABLE ASSEMBLY.....	140
DC-26.5GHZ CABLE ASSEMBLY.....	141
DC-40GHZ CABLE ASSEMBLY.....	142
DC-50GHZ CABLE ASSEMBLY.....	143
DC-67GHZ CABLE ASSEMBLY.....	144



RF Coaxial Connectors



SMA Connector Series

Performance Features

Nominal Impedance	50ohm
Frequency Range	DC-27GHz
VSWR:	
DC-18GHz...	1.10:1 max
18-27GHz...	1.15:1 max
Durability	500cycles
Operating Temperature	-55°C ~ +165°C

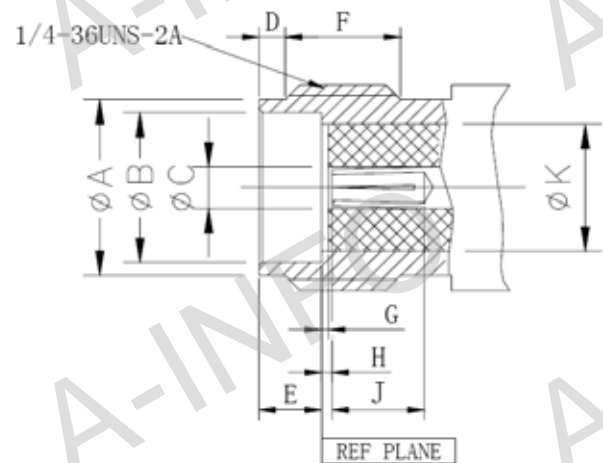
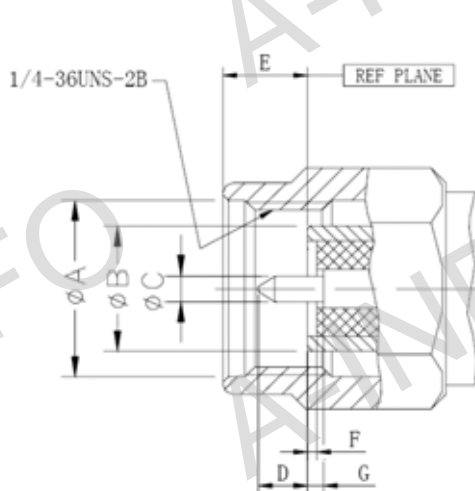
Materials/Finishes

Housing: Type 303 Stainless Steel-Polished&Passivated

Center Contact: Beryllium Copper Plated Gold (MIL-G-45204)

Insulators: PEI or PEI&PTFE

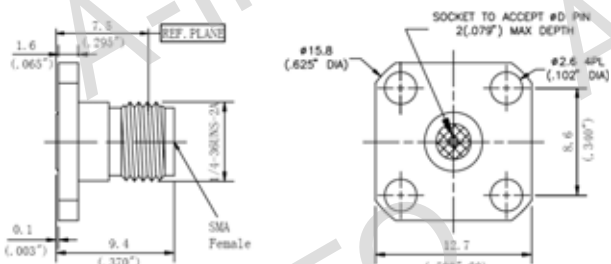
Interfaces: PER MIL-STD-348A



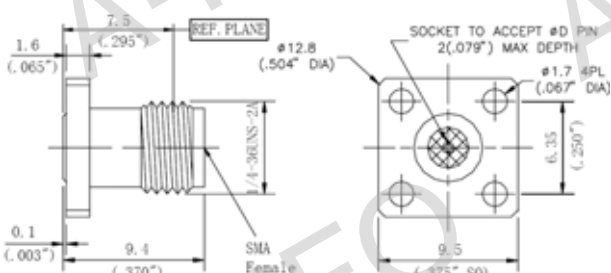
LTR	SMA Male			
	mm	Inch	mm	Inch
A	6.473	6.6	0.255	0.265
B	4.52	4.59	0.1780	0.1808
C	0.90	0.93	0.0355	0.0365
D	2.03	2.29	0.080	0.090
E	2.59	3.35	0.102	0.132
F	0.00	0.05	0.000	0.002
G	0.00	0.08	0.000	0.003

LTR	SMA Female			
	mm	Inch	mm	Inch
A	5.28	5.49	0.208	0.216
B	4.60	4.67	0.1810	0.1837
C	1.27	1.29	0.0500	0.0506
D	0.38	1.14	0.015	0.045
E	1.88	1.98	0.074	0.078
F	3.81	-	0.150	-
G	0.00	0.05	0.000	0.002
H	0.00	0.08	0.000	0.003
J	2.34	-	0.100	-
K	4.10	4.13	0.1615	0.1625

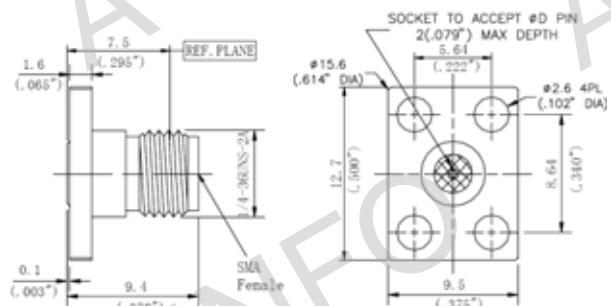
SMA Series Field Replaceable Flange Connectors



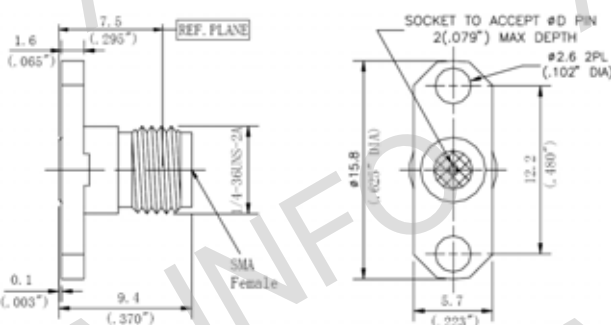
P/N	D
HPC1010-09	0.009inch/0.23mm
HPC1010-12	0.012inch/0.30mm
HPC1010-15	0.015inch/0.38mm
HPC1010-18	0.018inch/0.46mm
HPC1010-20	0.020inch/0.51mm



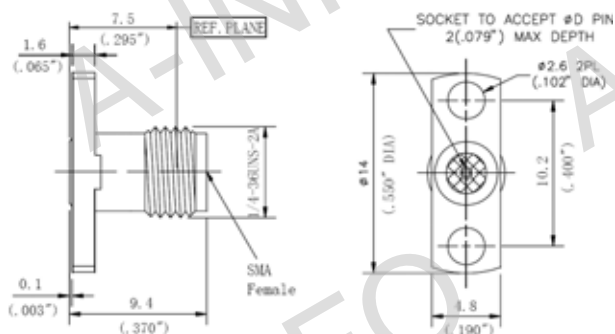
P/N	D
HPC1011-09	0.009inch/0.23mm
HPC1011-12	0.012inch/0.30mm
HPC1011-15	0.015inch/0.38mm
HPC1011-18	0.018inch/0.46mm
HPC1011-20	0.020inch/0.51mm



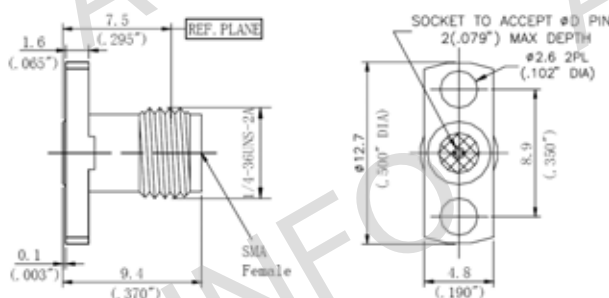
P/N	D
HPC1012-09	0.009inch/0.23mm
HPC1012-12	0.012inch/0.30mm
HPC1012-15	0.015inch/0.38mm
HPC1012-18	0.018inch/0.46mm
HPC1012-20	0.020inch/0.51mm



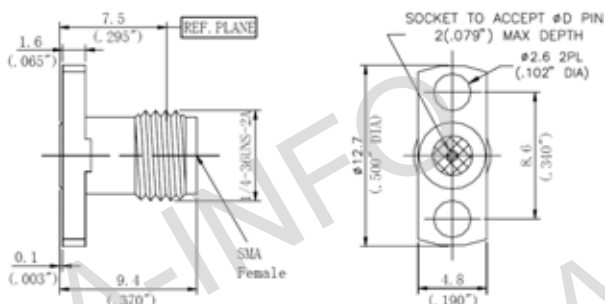
P/N	D
HPC1013-09	0.009inch/0.23mm
HPC1013-12	0.012inch/0.30mm
HPC1013-15	0.015inch/0.38mm
HPC1013-18	0.018inch/0.46mm
HPC1013-20	0.020inch/0.51mm



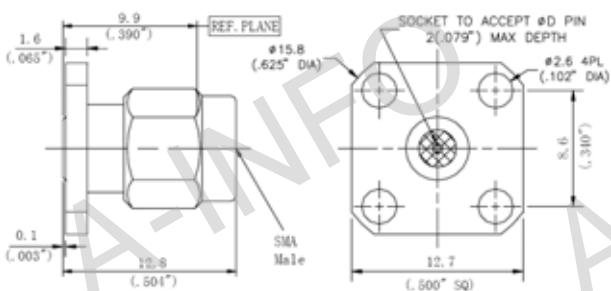
P/N	D
HPC1014-09	0.009inch/0.23mm
HPC1014-12	0.012inch/0.30mm
HPC1014-15	0.015inch/0.38mm
HPC1014-18	0.018inch/0.46mm
HPC1014-20	0.020inch/0.51mm



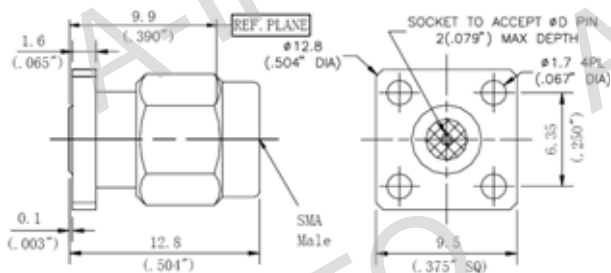
P/N	D
HPC1015-09	0.009inch/0.23mm
HPC1015-12	0.012inch/0.30mm
HPC1015-15	0.015inch/0.38mm
HPC1015-18	0.018inch/0.46mm
HPC1015-20	0.020inch/0.51mm



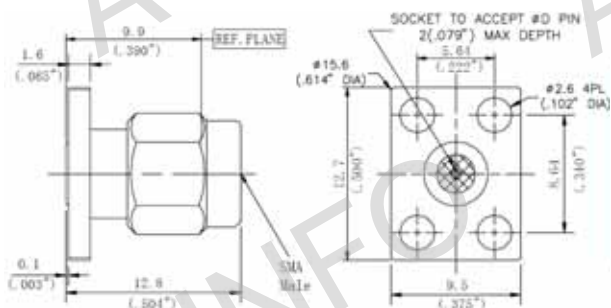
P/N	D
HPC1016-09	0.009inch/0.23mm
HPC1016-12	0.012inch/0.30mm
HPC1016-15	0.015inch/0.38mm
HPC1016-18	0.018inch/0.46mm
HPC1016-20	0.020inch/0.51mm



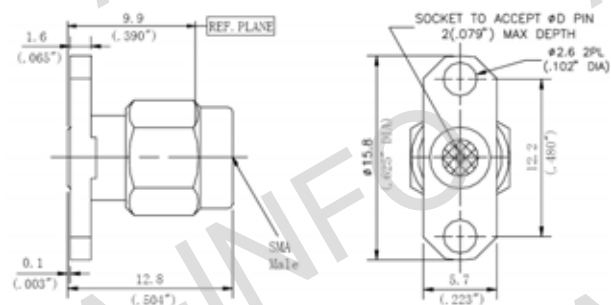
P/N	D
HPC1017-09	0.009inch/0.23mm
HPC1017-12	0.012inch/0.30mm
HPC1017-15	0.015inch/0.38mm
HPC1017-18	0.018inch/0.46mm
HPC1017-20	0.020inch/0.51mm



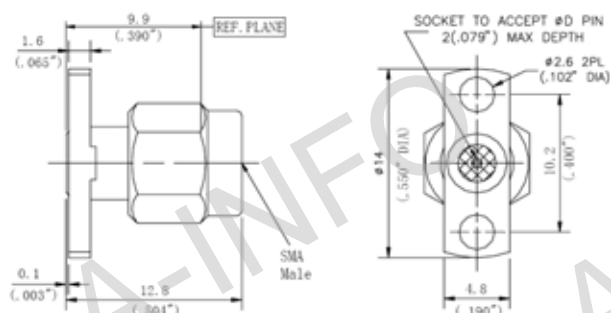
P/N	D
HPC1018-09	0.009inch/0.23mm
HPC1018-12	0.012inch/0.30mm
HPC1018-15	0.015inch/0.38mm
HPC1018-18	0.018inch/0.46mm
HPC1018-20	0.020inch/0.51mm



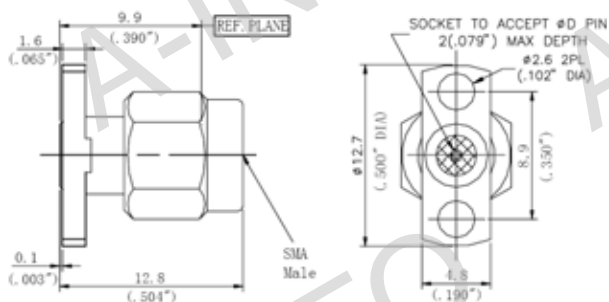
P/N	D
HPC1019-09	0.009inch/0.23mm
HPC1019-12	0.012inch/0.30mm
HPC1019-15	0.015inch/0.38mm
HPC1019-18	0.018inch/0.46mm
HPC1019-20	0.020inch/0.51mm



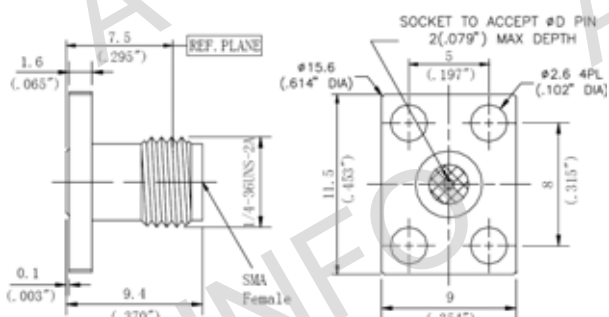
P/N	D
HPC1020-09	0.009inch/0.23mm
HPC1020-12	0.012inch/0.30mm
HPC1020-15	0.015inch/0.38mm
HPC1020-18	0.018inch/0.46mm
HPC1020-20	0.020inch/0.51mm



P/N	D
HPC1021-09	0.009inch/0.23mm
HPC1021-12	0.012inch/0.30mm
HPC1021-15	0.015inch/0.38mm
HPC1021-18	0.018inch/0.46mm
HPC1021-20	0.020inch/0.51mm

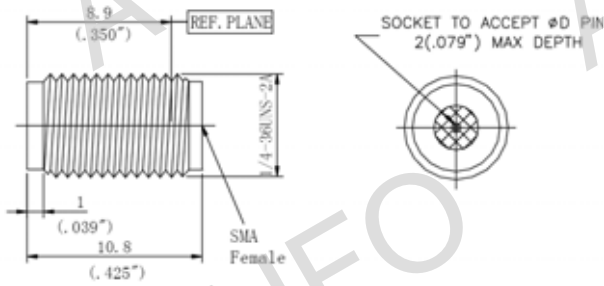


P/N	D
HPC1022-09	0.009inch/0.23mm
HPC1022-12	0.012inch/0.30mm
HPC1022-15	0.015inch/0.38mm
HPC1022-18	0.018inch/0.46mm
HPC1022-20	0.020inch/0.51mm



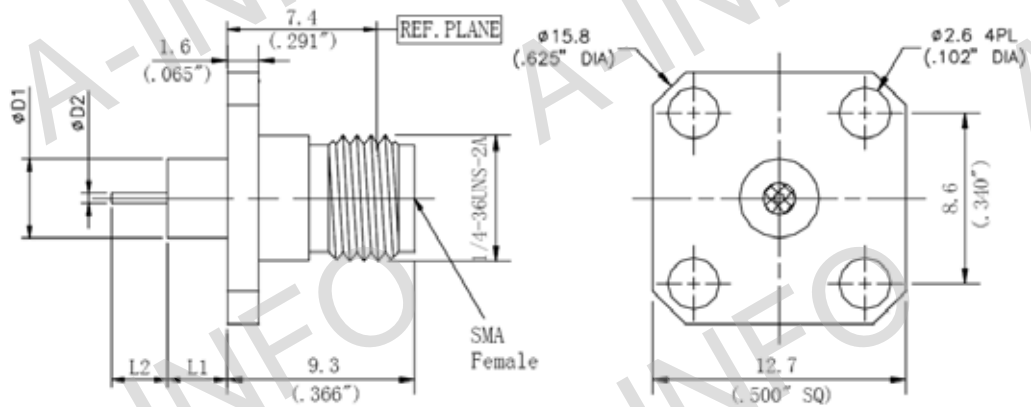
P/N	D
HPC1023-09	0.009inch/0.23mm
HPC1023-12	0.012inch/0.30mm
HPC1023-15	0.015inch/0.38mm
HPC1023-18	0.018inch/0.46mm
HPC1023-20	0.020inch/0.51mm

SMA Series Remove Screw Thread Connector

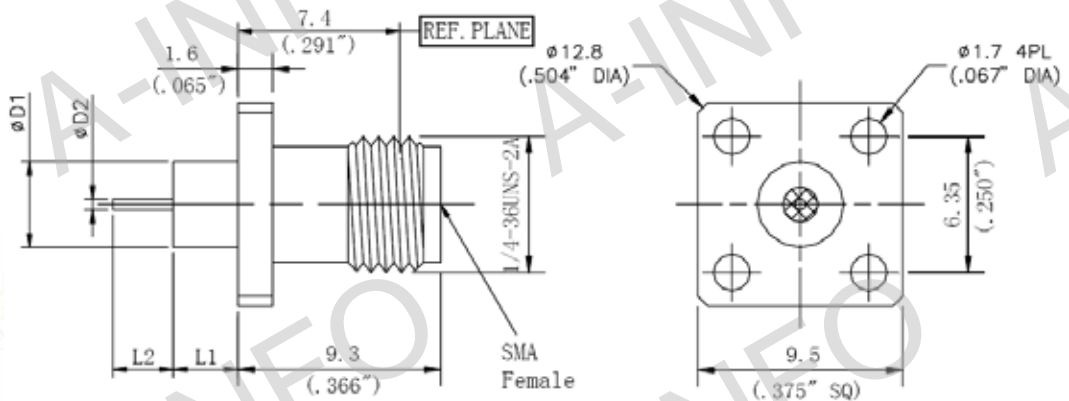


P/N	D
HPC1311-09	0.009inch/0.23mm
HPC1311-12	0.012inch/0.30mm
HPC1311-15	0.015inch/0.38mm
HPC1311-18	0.018inch/0.46mm
HPC1311-20	0.020inch/0.51mm

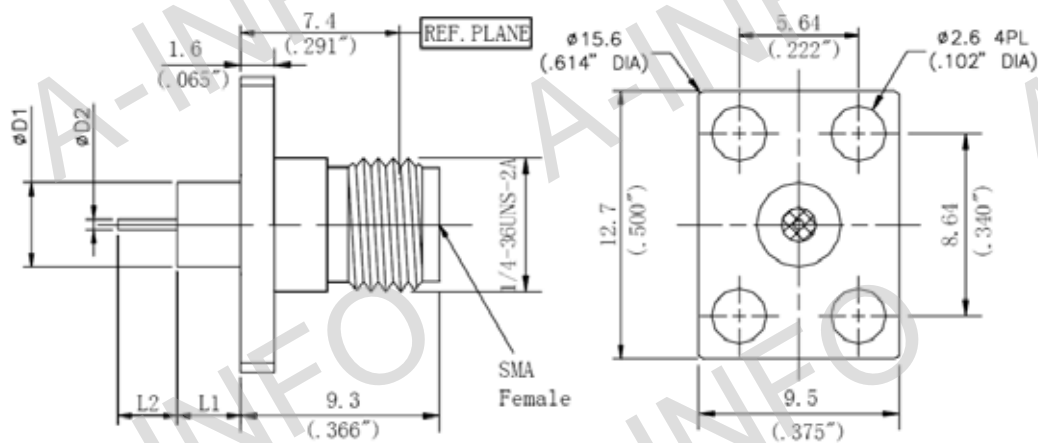
SMA Series Round Contact Connectors



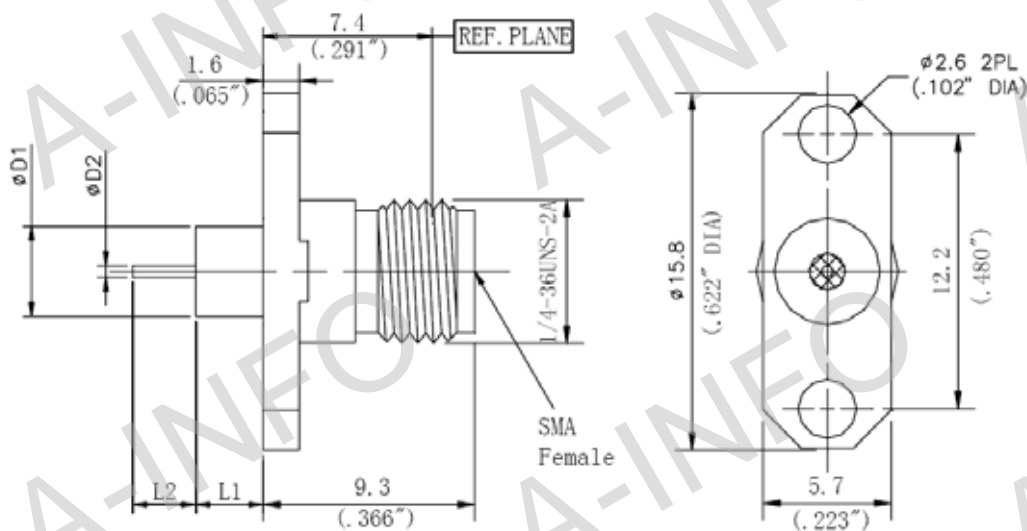
P/N	D1	D2	L1	L2
HPC1410-01	4mm/0.158inch	0.8mm/0.031inch	4mm/0.158inch	2mm/0.079inch
HPC1412-01	4mm/0.158inch	0.38mm/0.015inch	3mm/0.118inch	2mm/0.079inch



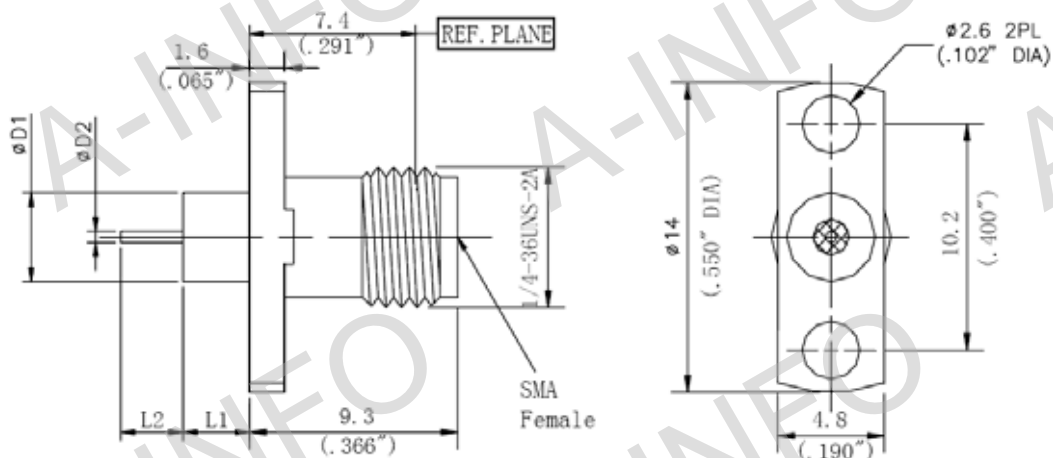
P/N	D1	D2	L1	L2
HPC1410-02	4mm/0.158inch	0.8mm/0.031inch	4mm/0.158inch	2mm/0.079inch
HPC1412-02	4mm/0.158inch	0.38mm/0.015inch	3mm/0.118inch	2mm/0.079inch



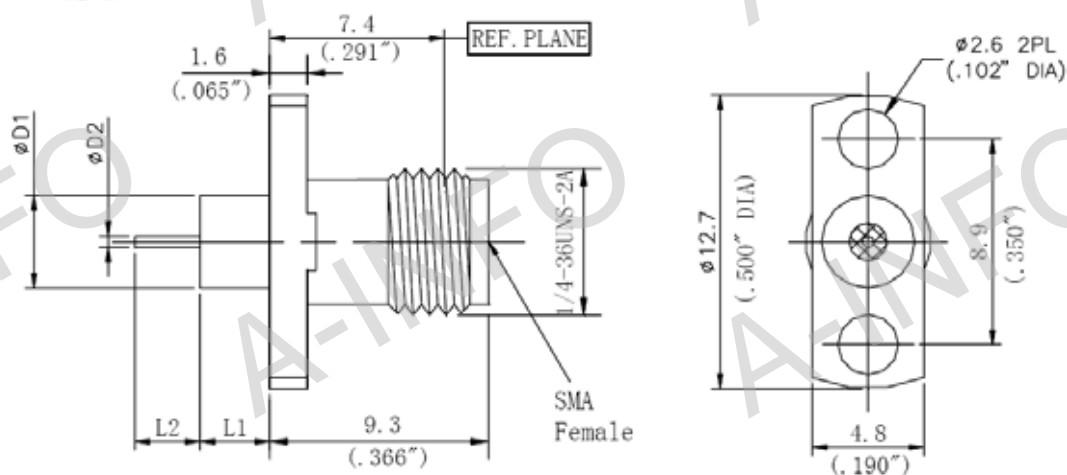
P/N	D1	D2	L1	L2
HPC1410-03	4mm/0.158inch	0.8mm/0.031inch	4mm/0.158inch	2mm/0.079inch
HPC1412-03	4mm/0.158inch	0.38mm/0.015inch	3mm/0.118inch	2mm/0.079inch



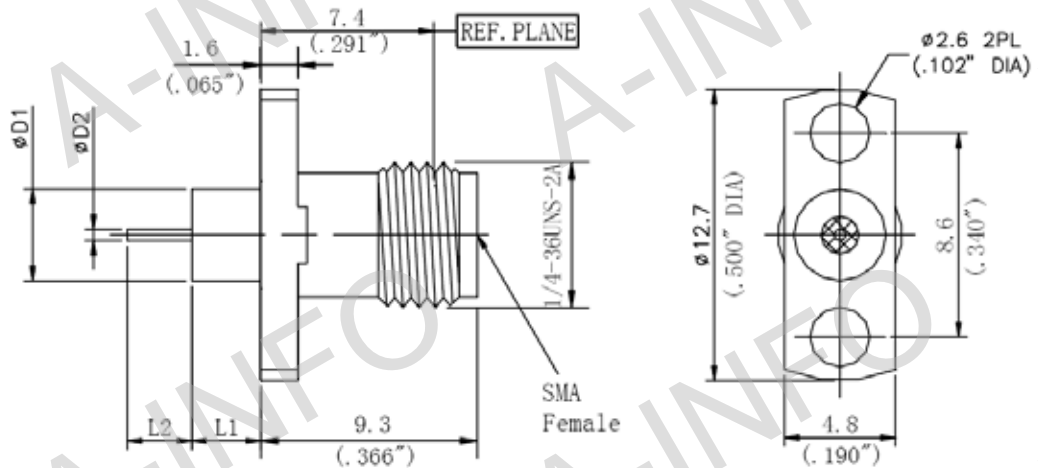
P/N	D1	D2	L1	L2
HPC1411-01	4mm/0.158inch	0.8mm/0.031inch	4mm/0.158inch	2mm/0.079inch
HPC1413-01	4mm/0.158inch	0.38mm/0.015inch	3mm/0.118inch	2mm/0.079inch



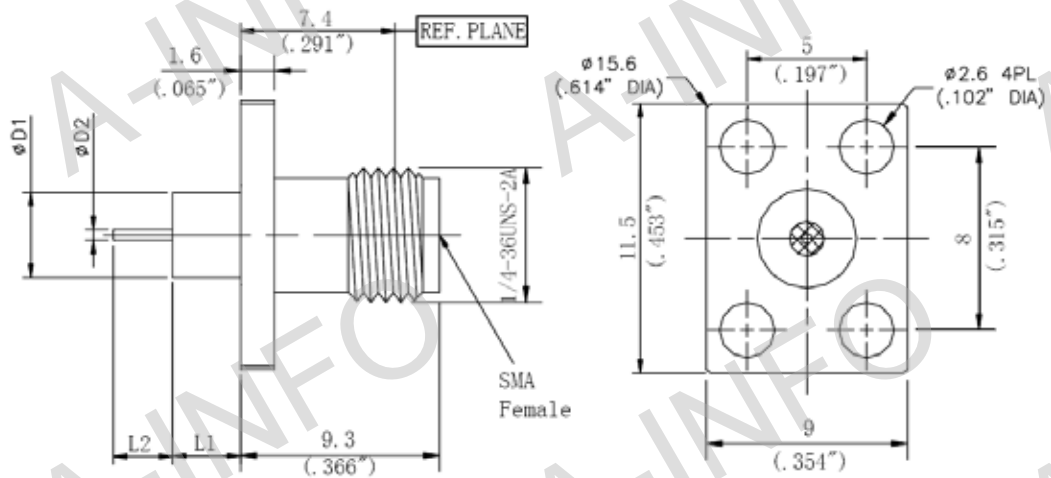
P/N	D1	D2	L1	L2
HPC1411-02	4mm/0.158inch	0.8mm/0.031inch	4mm/0.158inch	2mm/0.079inch
HPC1413-02	4mm/0.158inch	0.38mm/0.015inch	3mm/0.118inch	2mm/0.079inch



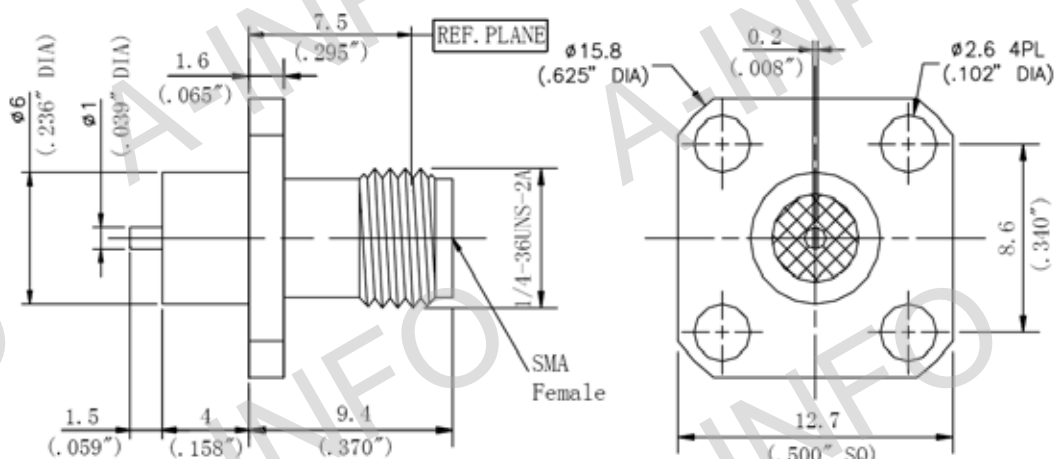
P/N	D1	D2	L1	L2
HPC1411-03	4mm/0.158inch	0.8mm/0.031inch	4mm/0.158inch	2mm/0.079inch
HPC1413-03	4mm/0.158inch	0.38mm/0.015inch	3mm/0.118inch	2mm/0.079inch



P/N	D1	D2	L1	L2
HPC1411-04	4mm/0.158inch	0.8mm/0.031inch	4mm/0.158inch	2mm/0.079inch
HPC1413-04	4mm/0.158inch	0.38mm/0.015inch	3mm/0.118inch	2mm/0.079inch

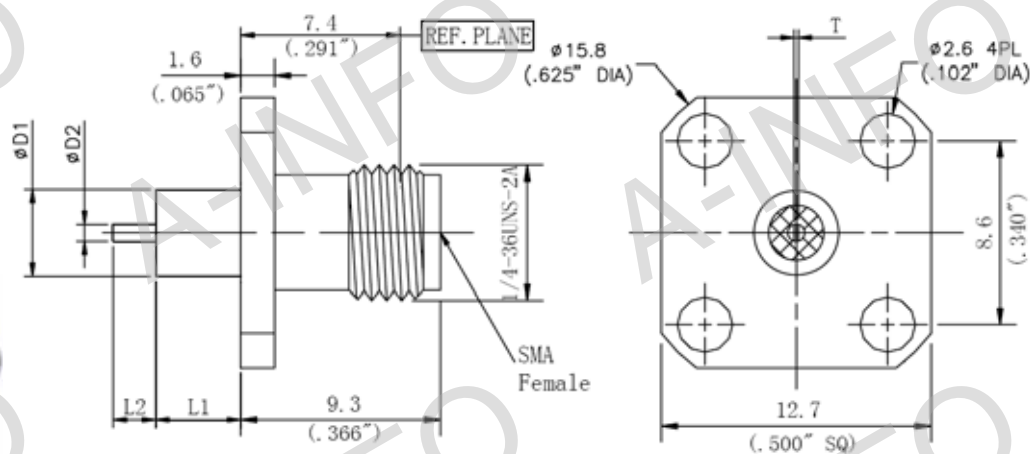


P/N	D1	D2	L1	L2
HPC1418-01	4mm/0.158inch	0.8mm/0.031inch	4mm/0.158inch	2mm/0.079inch
HPC1418-02	4mm/0.158inch	0.38mm/0.015inch	3mm/0.118inch	2mm/0.079inch

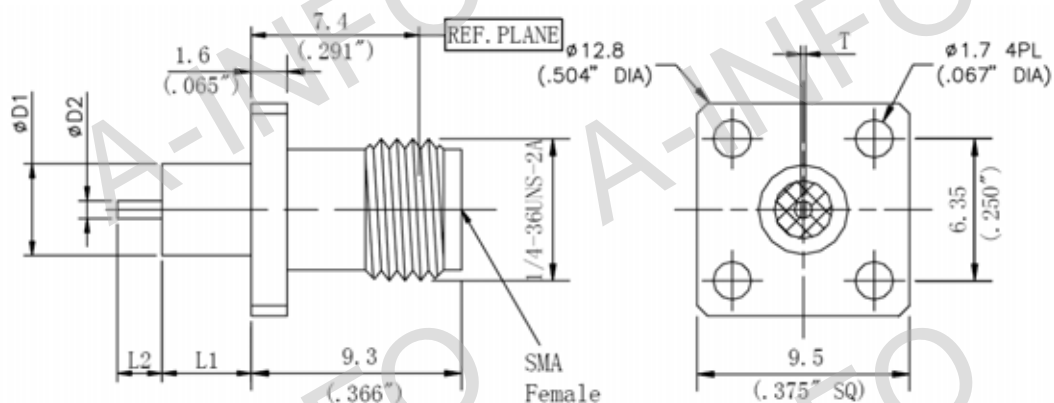


P/N

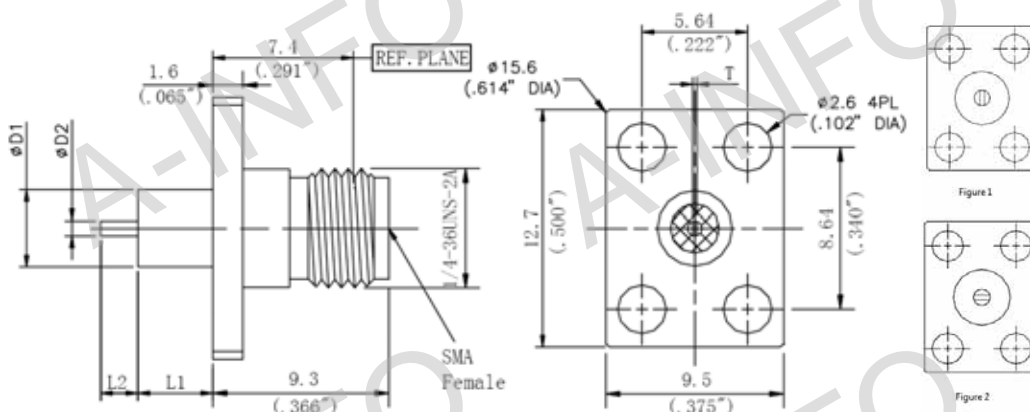
HPC1419-01



P/N	D1	D2	L1	L2	T
HPC1420-01	4mm/0.158inch	0.8mm/0.031inch	4mm/0.158inch	1.5mm/0.06inch	0.2mm/0.008inch



P/N	D1	D2	L1	L2	T
HPC1421-01	4mm/0.158inch	0.8mm/0.031inch	4mm/0.158inch	1.5mm/0.06inch	0.2mm/0.008inch



P/N	D1	D2	L1	L2	T	Fig
HPC1422-01	4mm/0.158inch	0.8mm/0.031inch	4mm/0.158inch	1.5mm/0.06inch	0.2mm/0.008inch	1
HPC1422-02	4mm/0.158inch	0.8mm/0.031inch	4mm/0.158inch	1.5mm/0.06inch	0.2mm/0.008inch	2

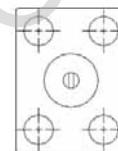
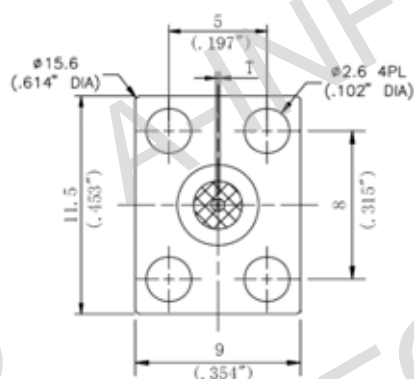
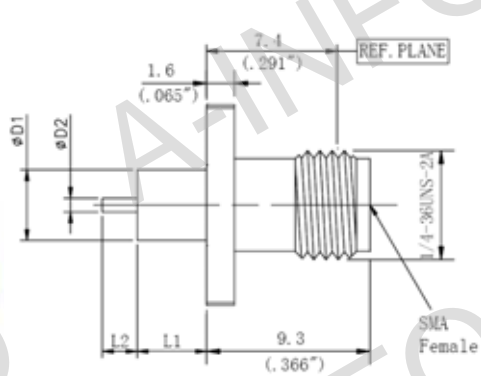


Figure 1



Figure 2

P/N	D1	D2	L1	L2	T	Fig
HPC1423-01	4mm/0.158inch	0.8mm/0.031inch	4mm/0.158inch	1.5mm/0.06inch	0.2mm/0.008inch	1
HPC1423-02	4mm/0.158inch	0.8mm/0.031inch	4mm/0.158inch	1.5mm/0.06inch	0.2mm/0.008inch	2

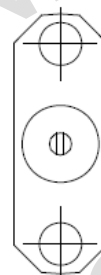
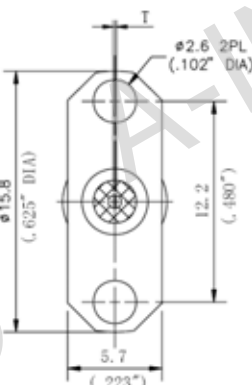
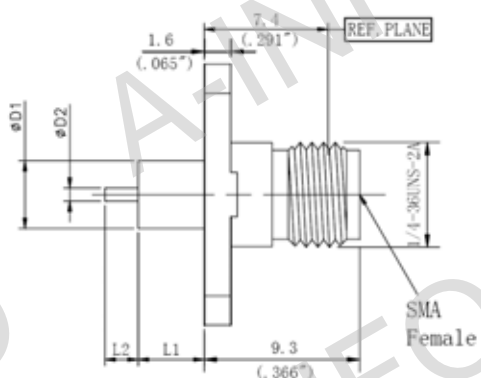


Figure 1

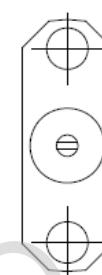


Figure 2

P/N	D1	D2	L1	L2	T	Fig
HPC1424-01	4mm/0.158inch	0.8mm/0.031inch	4mm/0.158inch	1.5mm/0.06inch	0.2mm/0.008inch	1
HPC1424-02	4mm/0.158inch	0.8mm/0.031inch	4mm/0.158inch	1.5mm/0.06inch	0.2mm/0.008inch	2

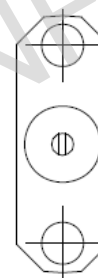
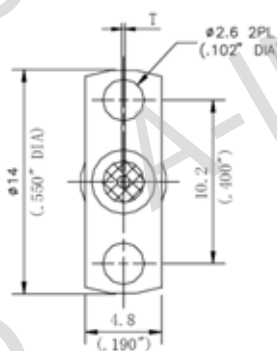
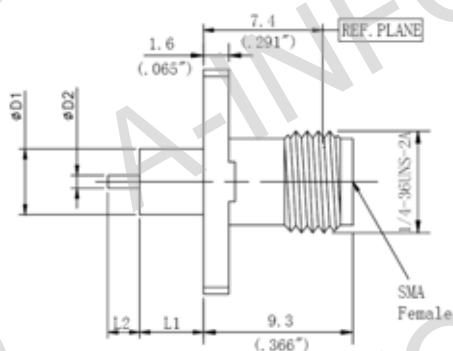


Figure 1

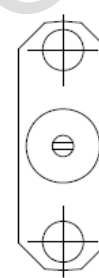


Figure 2

P/N	D1	D2	L1	L2	T	Fig
HPC1425-01	4mm/0.158inch	0.8mm/0.031inch	4mm/0.158inch	1.5mm/0.06inch	0.2mm/0.008inch	1
HPC1425-02	4mm/0.158inch	0.8mm/0.031inch	4mm/0.158inch	1.5mm/0.06inch	0.2mm/0.008inch	2

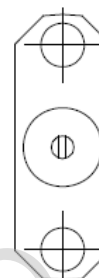
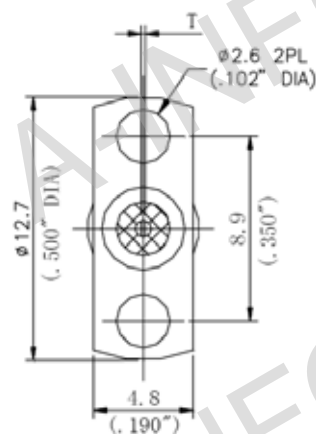
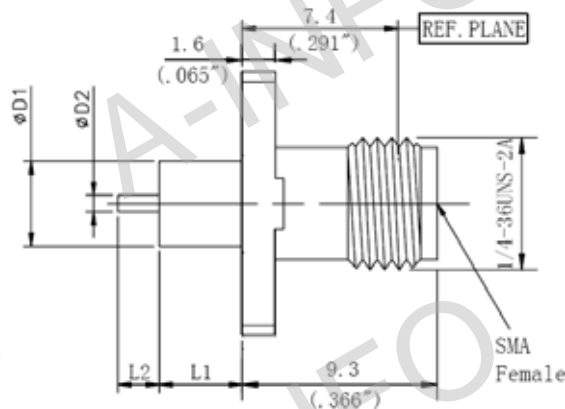


Figure 1

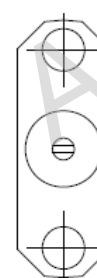


Figure 2

P/N	D1	D2	L1	L2	T	Fig
HPC1426-01	4mm/0.158inch	0.8mm/0.031inch	4mm/0.158inch	1.5mm/0.06inch	0.2mm/0.008inch	1
HPC1426-02	4mm/0.158inch	0.8mm/0.031inch	4mm/0.158inch	1.5mm/0.06inch	0.2mm/0.008inch	2

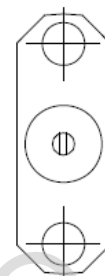
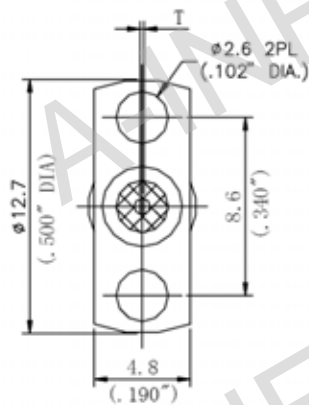
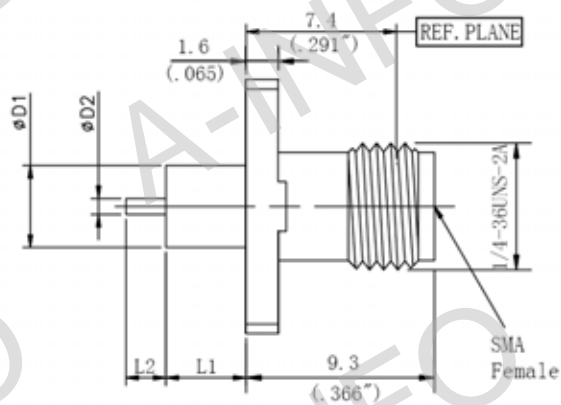


Figure 1

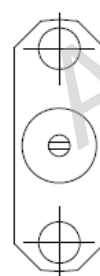
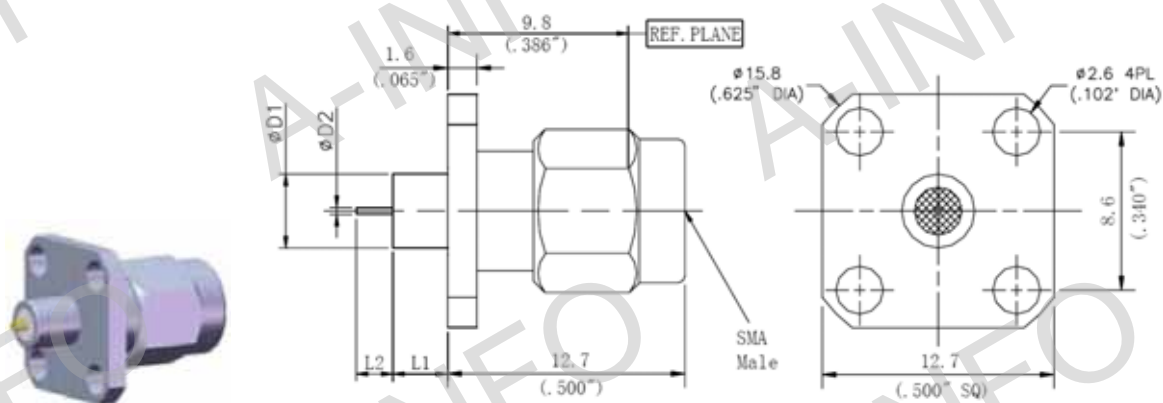
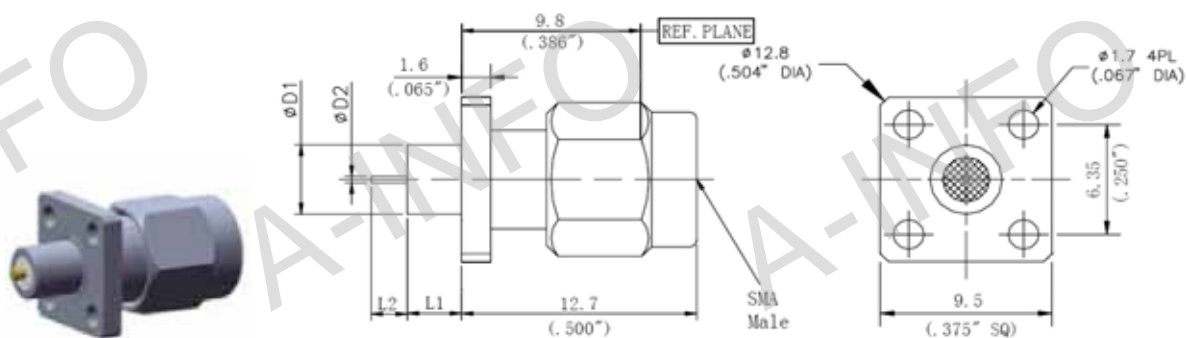


Figure 2

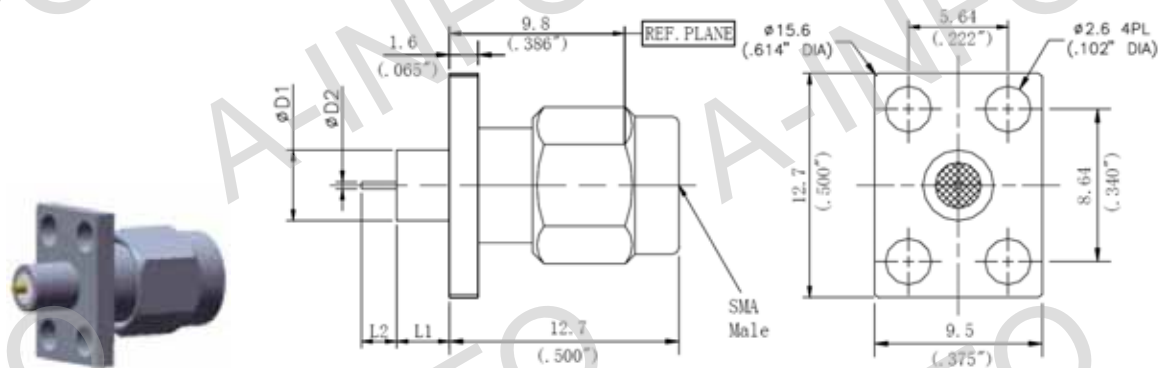
P/N	D1	D2	L1	L2	T	Fig
HPC1427-01	4mm/0.158inch	0.8mm/0.031inch	4mm/0.158inch	1.5mm/0.06inch	0.2mm/0.008inch	1
HPC1427-02	4mm/0.158inch	0.8mm/0.031inch	4mm/0.158inch	1.5mm/0.06inch	0.2mm/0.008inch	2



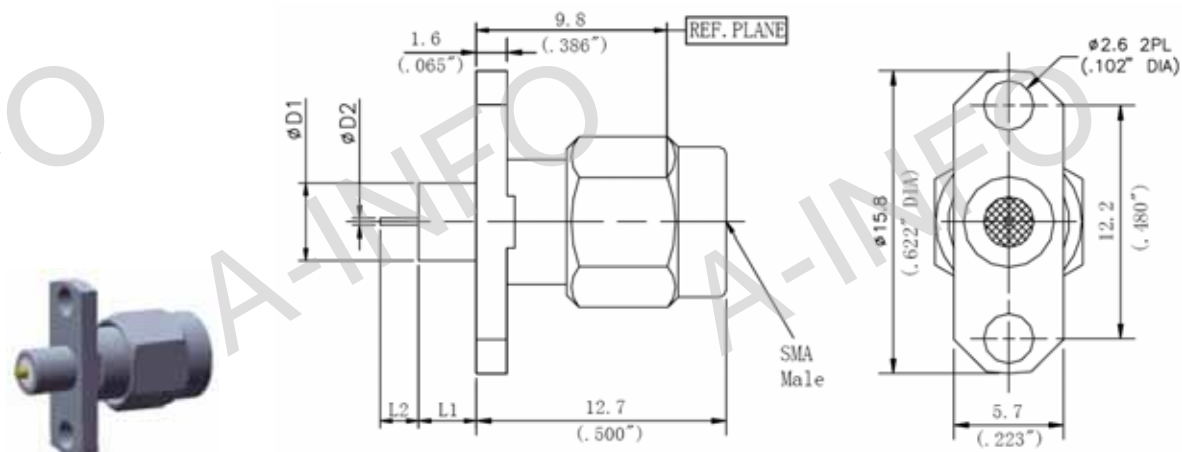
P/N	D1	D2	L1	L2
HPC1428-01	4mm/0.158inch	0.38mm/0.015inch	3mm/0.118inch	2mm/0.079inch



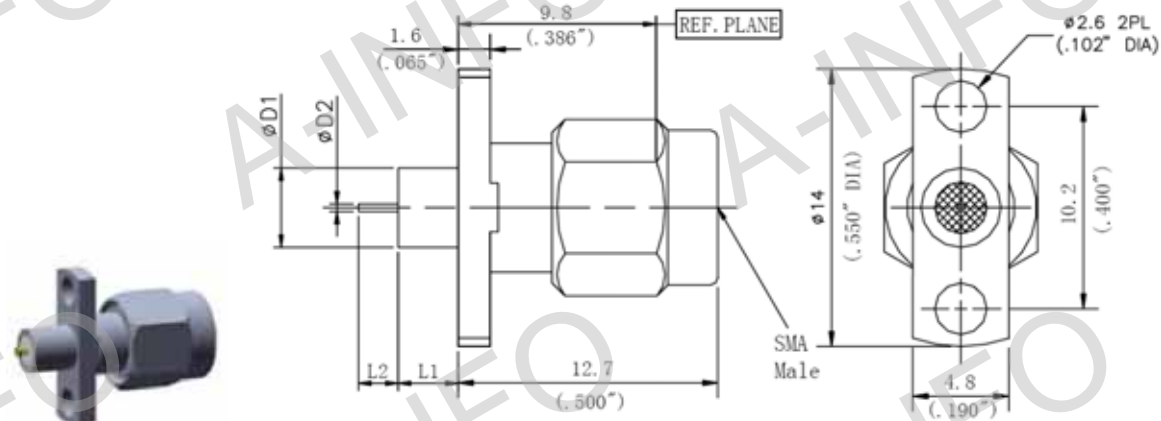
P/N	D1	D2	L1	L2
HPC1429-01	4mm/0.158inch	0.38mm/0.015inch	3mm/0.118inch	2mm/0.079inch



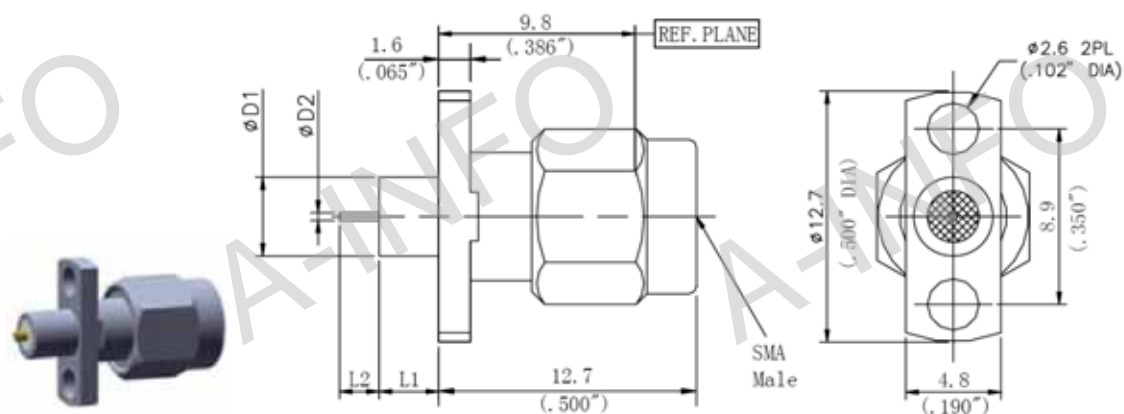
P/N	D1	D2	L1	L2
HPC1430-01	4mm/0.158inch	0.38mm/0.015inch	3mm/0.118inch	2mm/0.079inch



P/N	D1	D2	L1	L2
HPC1431-01	4mm/0.158inch	0.38mm/0.015inch	3mm/0.118inch	2mm/0.079inch

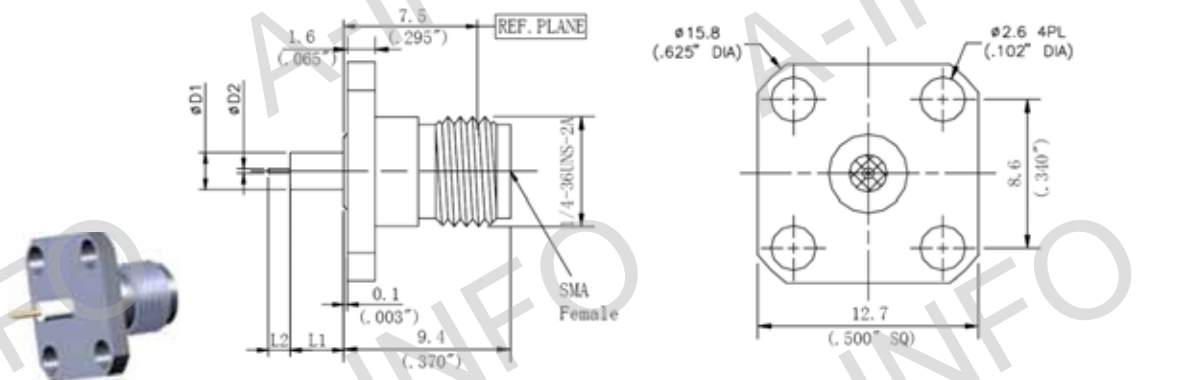


P/N	D1	D2	L1	L2
HPC1432-01	4mm/0.158inch	0.38mm/0.015inch	3mm/0.118inch	2mm/0.079inch

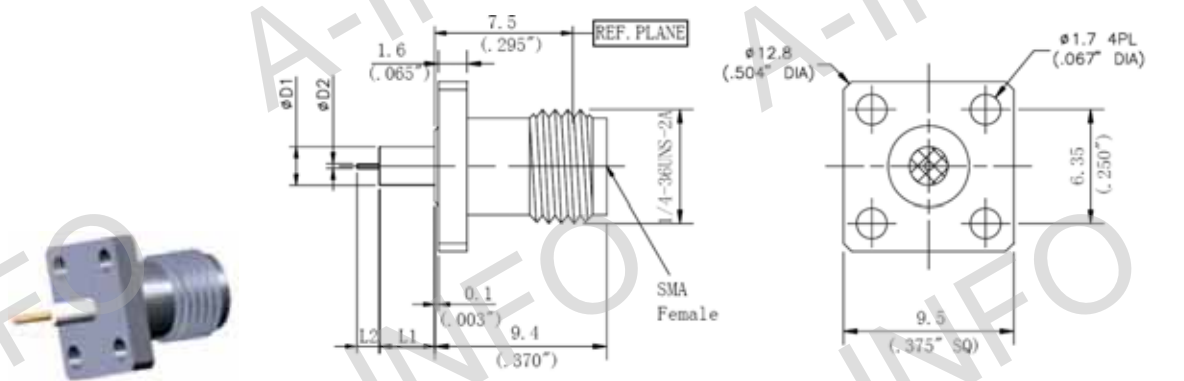


P/N	D1	D2	L1	L2
HPC1433-01	4mm/0.158inch	0.38mm/0.015inch	3mm/0.118inch	2mm/0.079inch

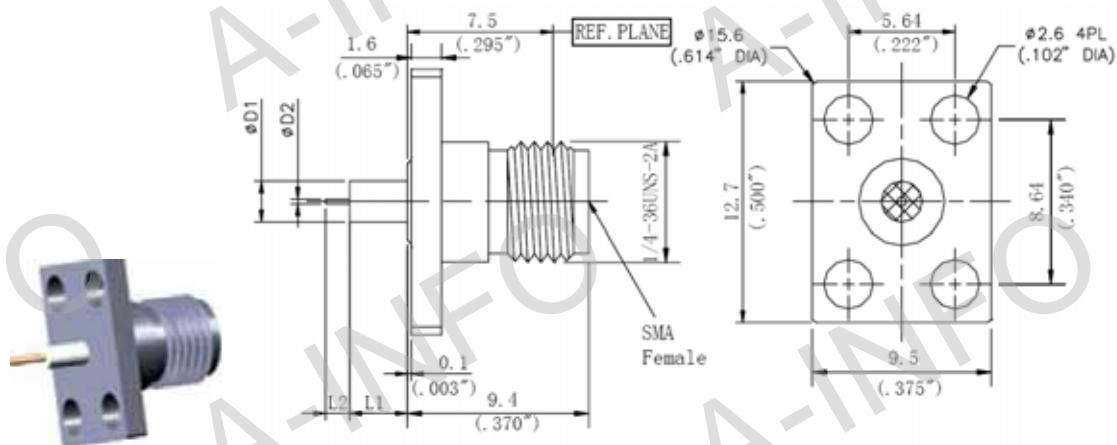
SMA Series Exposed Teflon Connectors



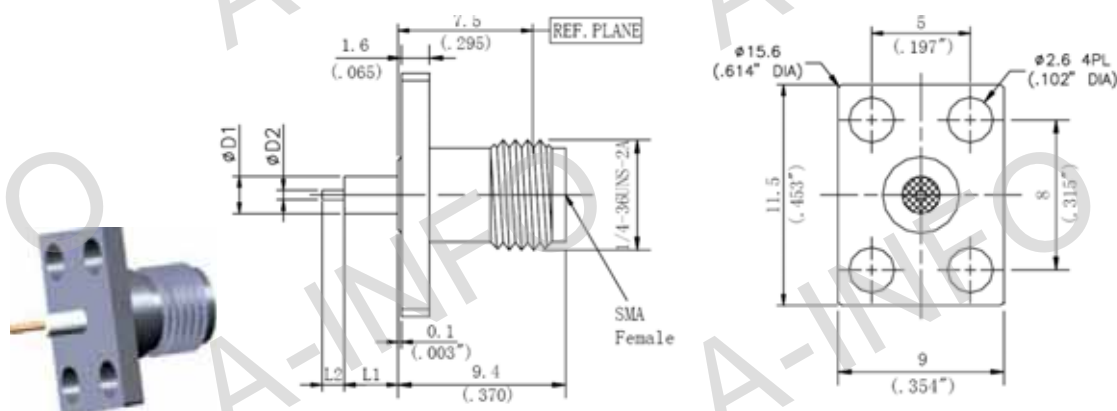
P/N	D1	D2	L1	L2
HPC1434-01	2.2mm/0.087inch	0.3mm/0.012inch	3.2mm/0.126inch	1.27mm/0.05inch
HPC1434-02	3.9mm/0.154inch	0.64mm/0.025inch	15mm/0.59inch	3mm/0.118inch
HPC1434-03	2.1mm/0.083inch	0.64mm/0.025inch	15mm/0.59inch	3mm/0.118inch



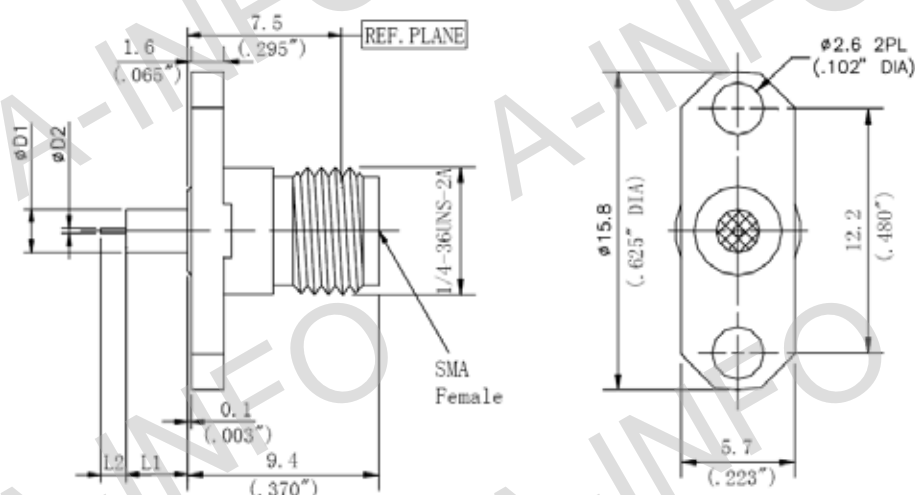
P/N	D1	D2	L1	L2
HPC1435-01	2.2mm/0.087inch	0.3mm/0.012inch	3.2mm/0.126inch	1.27mm/0.05inch
HPC1435-02	2.1mm/0.083inch	0.64mm/0.025inch	15mm/0.59inch	3mm/0.118inch



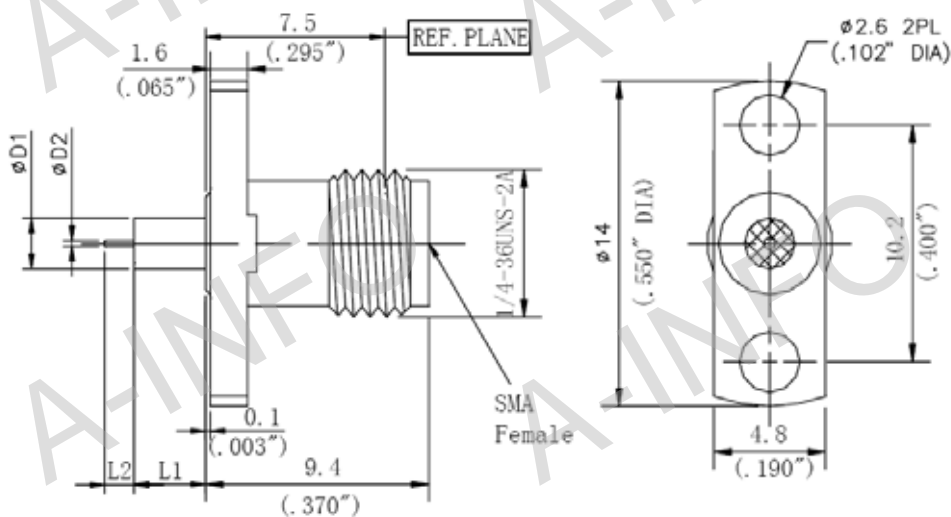
/N	D1	D2	L1	L2
HPC1436-01	2.2mm/0.087inch	0.3mm/0.012inch	3.2mm/0.126inch	1.27mm/0.05inch
HPC1436-02	2.1mm/0.083inch	0.64mm/0.025inch	15mm/0.59inch	3mm/0.118inch



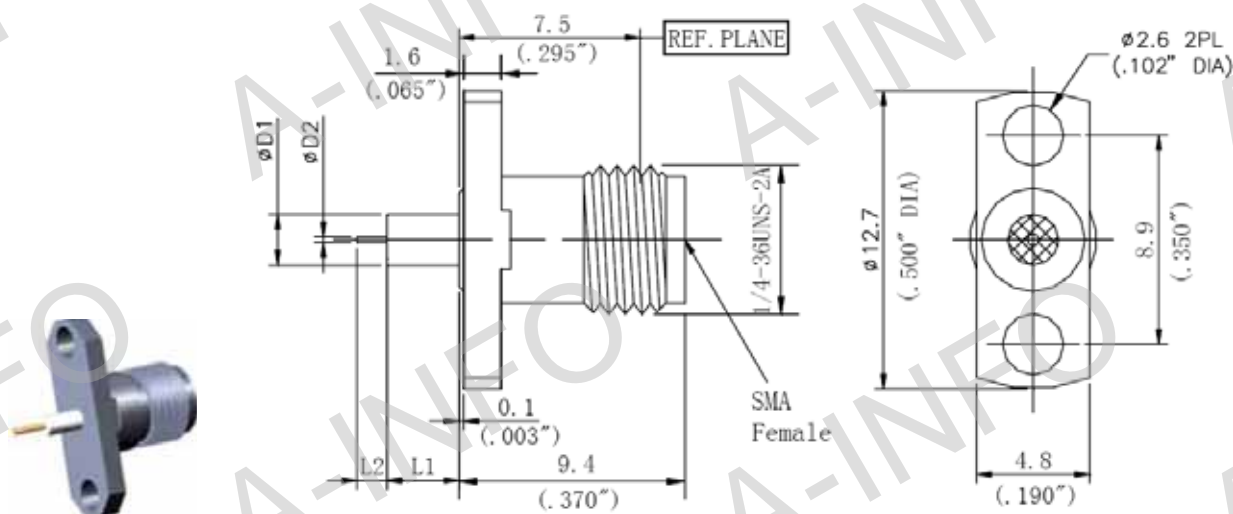
P/N	D1	D2	L1	L2
HPC1437-01	2.2mm/0.087inch	0.3mm/0.012inch	3.2mm/0.126inch	1.27mm/0.05inch
HPC1437-02	2.1mm/0.083inch	0.64mm/0.025inch	15mm/0.59inch	3mm/0.118inch



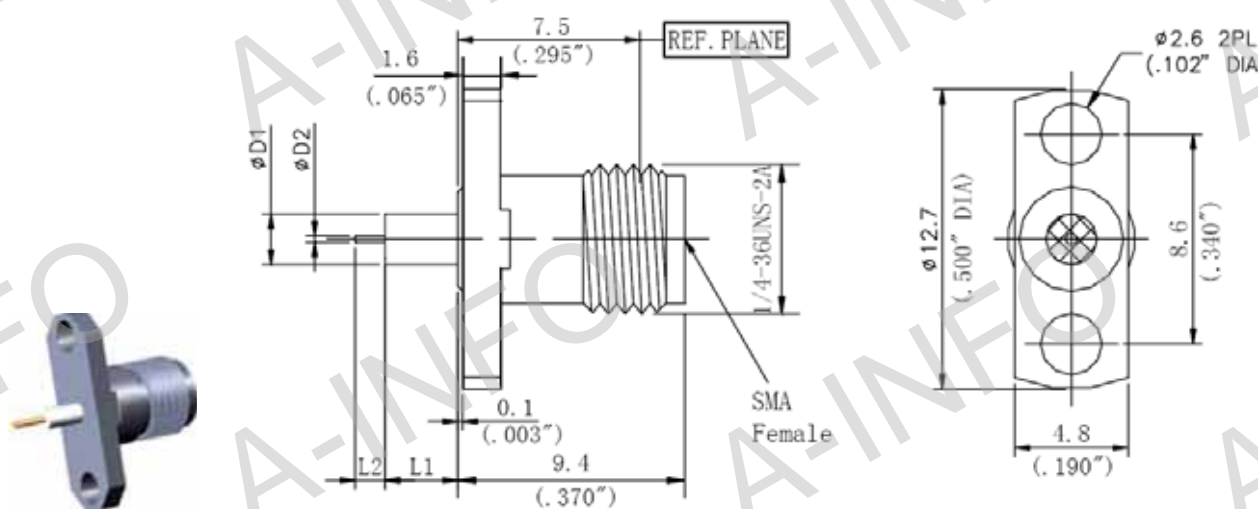
P/N	D1	D2	L1	L2
HPC1438-01	2.2mm/0.087inch	0.3mm/0.012inch	3.2mm/0.126inch	1.27mm/0.05inch
HPC1438-02	3.9mm/0.154inch	0.64mm/0.025inch	15mm/0.59inch	3mm/0.118inch
HPC1438-03	2.1mm/0.083inch	0.64mm/0.025inch	15mm/0.59inch	3mm/0.118inch



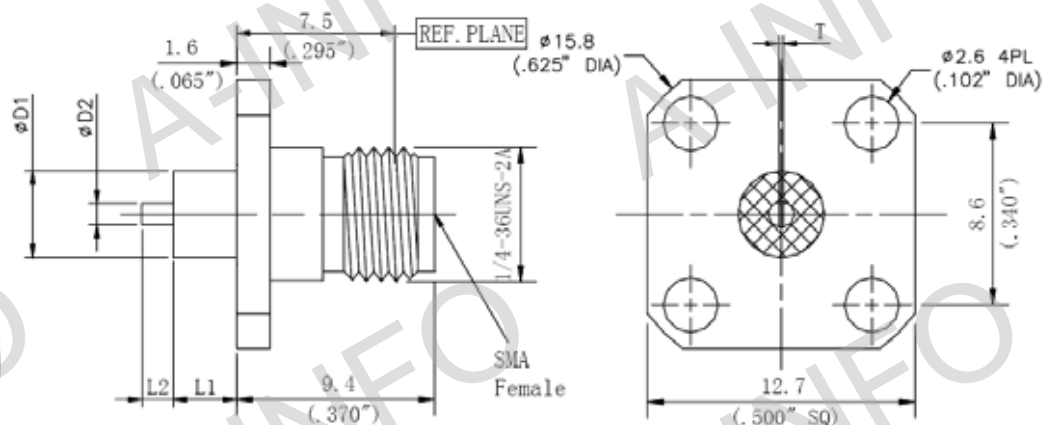
P/N	D1	D2	L1	L2
HPC1439-01	2.2mm/0.087inch	0.3mm/0.012inch	3.2mm/0.126inch	1.27mm/0.05inch
HPC1439-02	2.1mm/0.083inch	0.64mm/0.025inch	15mm/0.59inch	3mm/0.118inch



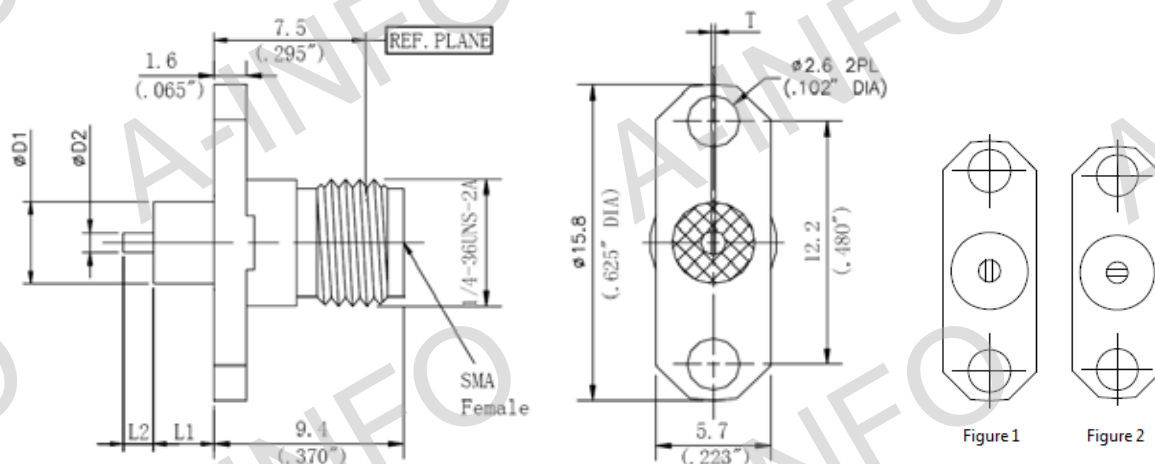
P/N	D1	D2	L1	L2
HPC1440-01	2.2mm/0.087inch	0.3mm/0.012inch	3.2mm/0.126inch	1.27mm/0.05inch
HPC1440-02	2.1mm/0.083inch	0.64mm/0.025inch	15mm/0.59inch	3mm/0.118inch



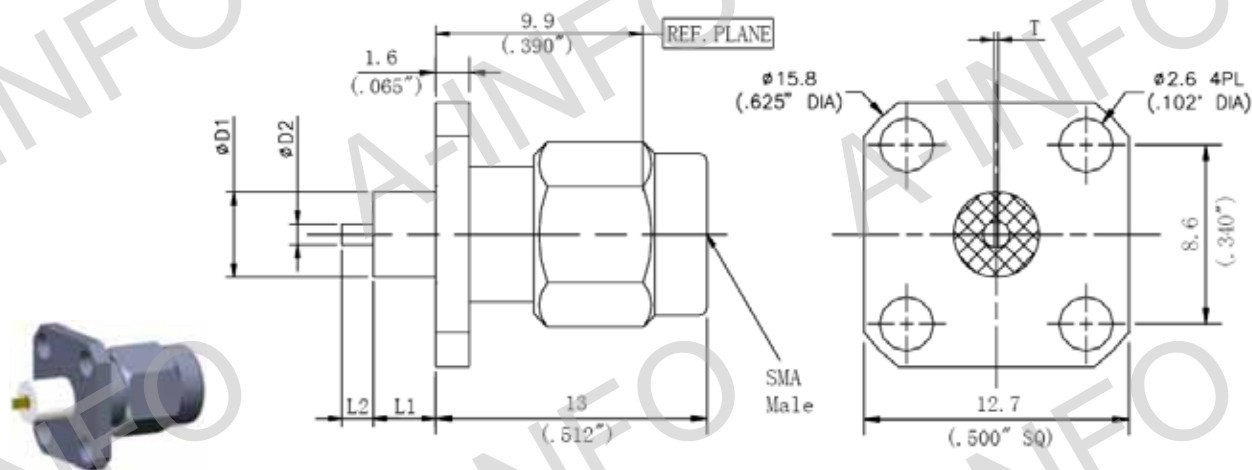
P/N	D1	D2	L1	L2
HPC1441-01	2.2mm/0.087inch	0.3mm/0.012inch	3.2mm/0.126inch	1.27mm/0.05inch
HPC1441-02	2.1mm/0.083inch	0.64mm/0.025inch	15mm/0.59inch	3mm/0.118inch



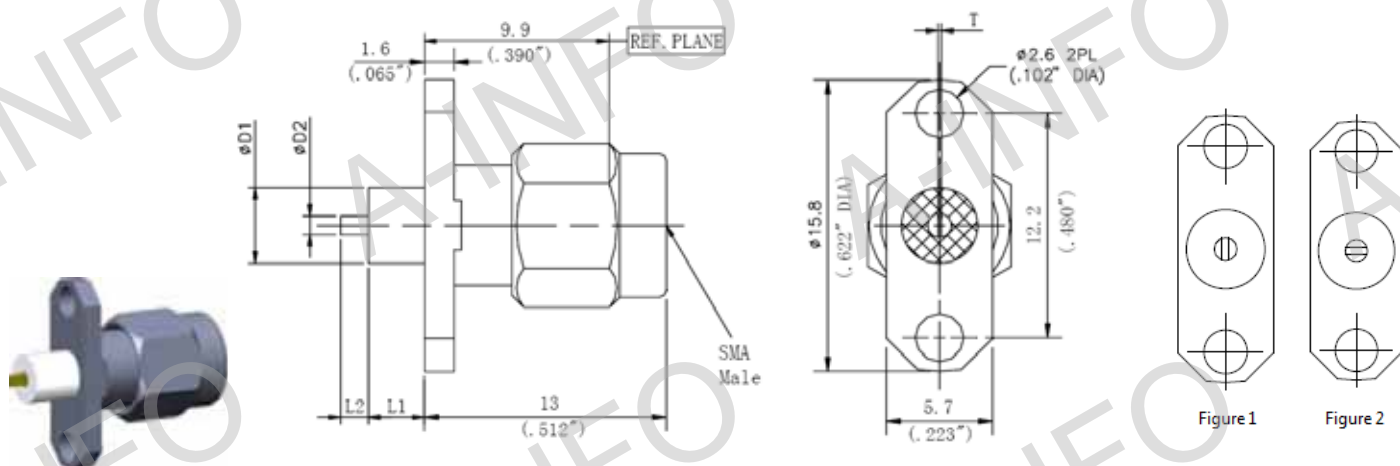
P/N	D1	D2	L1	L2	T
HPC1414-01	4.1mm/0.162inch	1mm/0.04inch	4mm/0.158inch	1.5mm/0.06inch	0.2mm/0.008inch
HPC1416-01	4.1mm/0.162inch	1mm/0.04inch	3mm/0.118inch	1.5mm/0.06inch	0.2mm/0.008inch



P/N	D1	D2	L1	L2	T	Fig
HPC1415-01	4.1mm/0.162inch	1mm/0.04inch	4mm/0.158inch	1.5mm/0.06inch	0.2mm/0.008inch	1
HPC1442-01	4.1mm/0.162inch	1mm/0.04inch	4mm/0.158inch	1.5mm/0.06inch	0.2mm/0.008inch	2
HPC1417-01	4.1mm/0.162inch	1mm/0.04inch	3mm/0.118inch	1.5mm/0.06inch	0.2mm/0.008inch	1
HPC1442-02	4.1mm/0.162inch	1mm/0.04inch	3mm/0.118inch	1.5mm/0.06inch	0.2mm/0.008inch	2

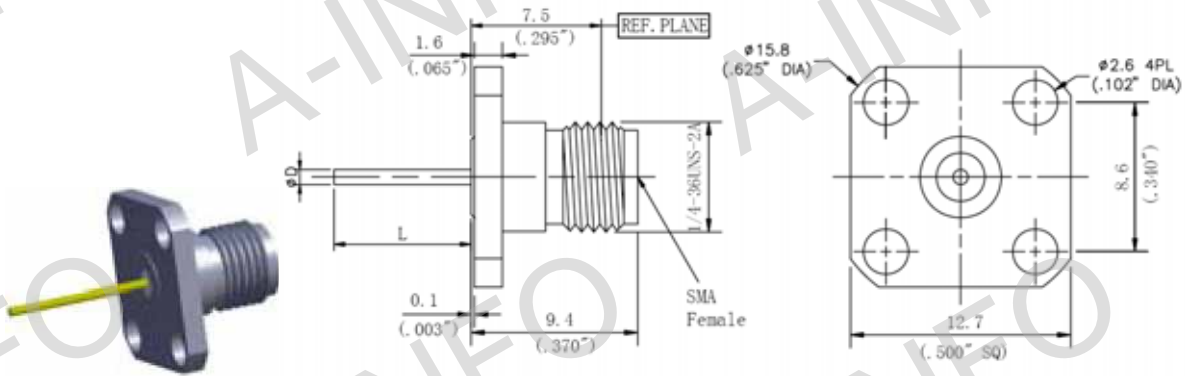


P/N	D1	D2	L1	L2	T
HPC1443-01	4.1mm/0.162inch	1mm/0.04inch	4mm/0.158inch	1.5mm/0.06inch	0.2mm/0.008inch

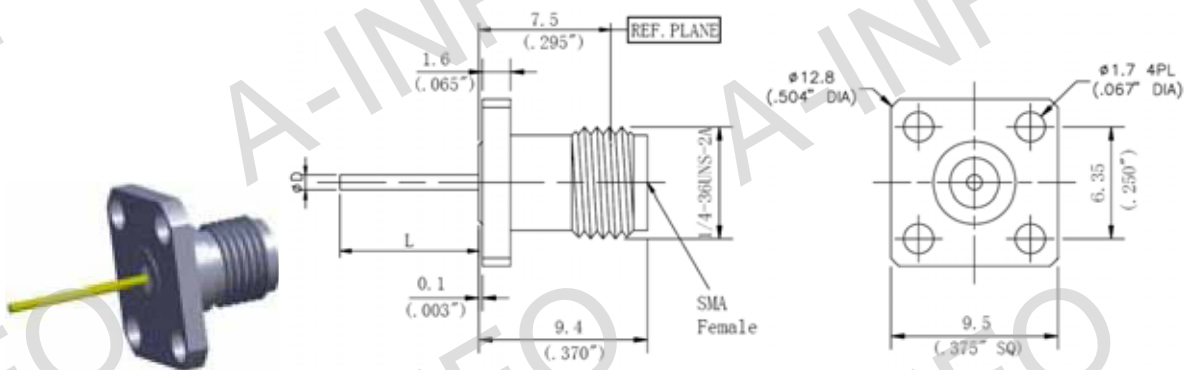


P/N	D1	D2	L1	L2	T	Fig
HPC1444-01	4.1mm/0.162inch	1mm/0.04inch	4mm/0.158inch	1.5mm/0.06inch	0.2mm/0.008inch	1
HPC1444-02	4.1mm/0.162inch	1mm/0.04inch	4mm/0.158inch	1.5mm/0.06inch	0.2mm/0.008inch	2

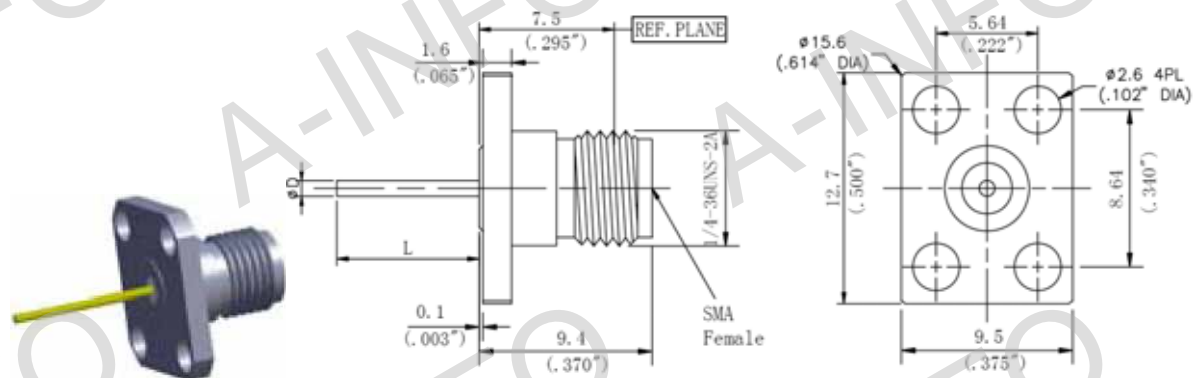
SMA Series Blunt Post Contact Connectors



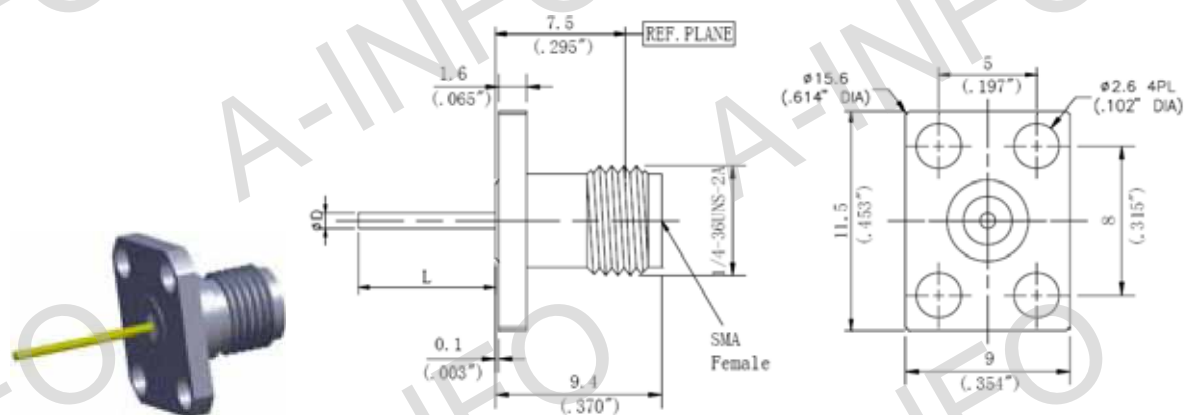
P/N	D	L
HPC1445-01	0.64mm/0.025inch	18mm/0.71inch
HPC1445-02	0.87mm/0.034inch	26mm/1.024inch
HPC1445-03	0.87mm/0.034inch	10.92mm/0.43inch



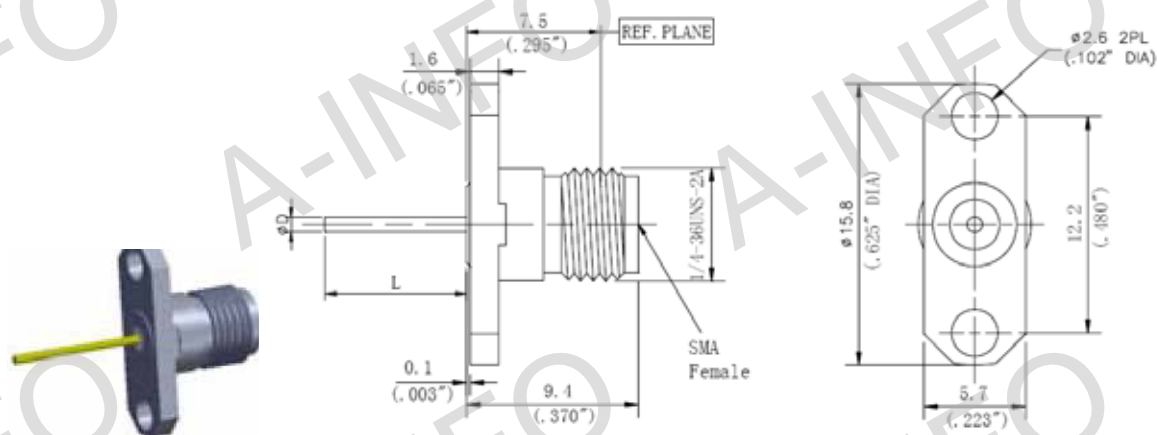
P/N	D	L
HPC1446-01	0.64mm/0.025inch	18mm/0.709inch
HPC1446-02	0.87mm/0.034inch	26mm/1.024inch
HPC1446-03	0.87mm/0.034inch	10.92mm/0.43inch



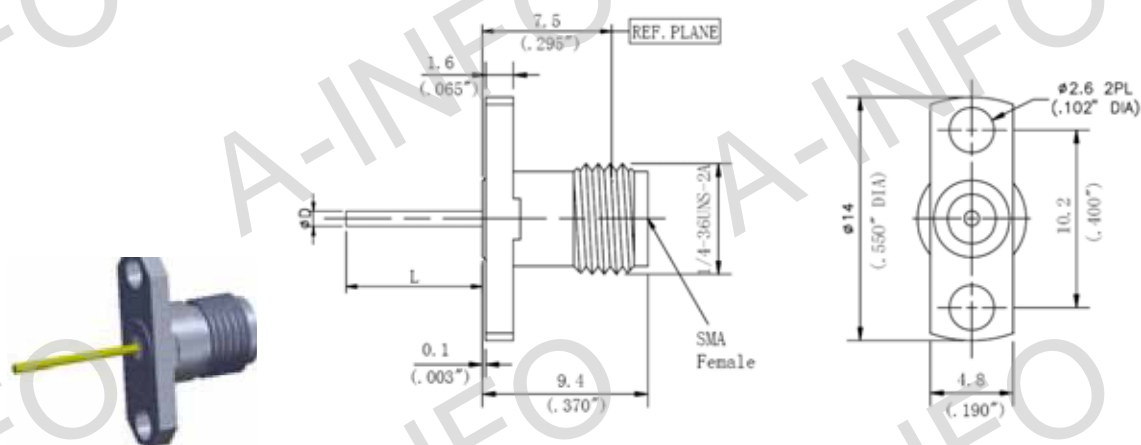
P/N	D	L
HPC1447-01	0.64mm/0.025inch	18mm/0.709inch
HPC1447-02	0.87mm/0.034inch	26mm/1.024inch
HPC1447-03	0.87mm/0.034inch	10.92mm/0.43inch



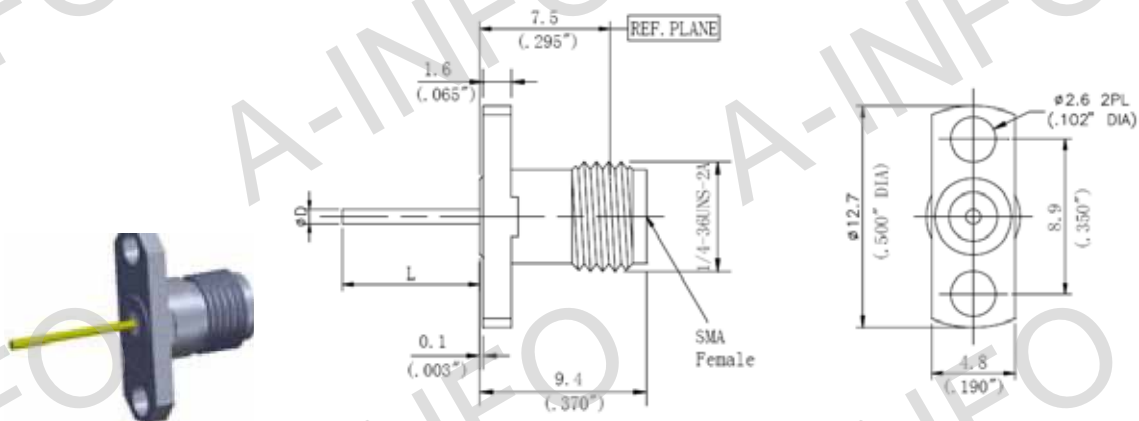
P/N	D	L
HPC1448-01	0.64mm/0.025inch	18mm/0.709inch
HPC1448-02	0.87mm/0.034inch	26mm/1.024inch
HPC1448-03	0.87mm/0.034inch	10.92mm/0.43inch



P/N	D	L
HPC1449-01	0.64mm/0.025inch	18mm/0.709inch
HPC1449-02	0.87mm/0.034inch	26mm/1.024inch
HPC1449-03	0.87mm/0.034inch	10.92mm/0.43inch

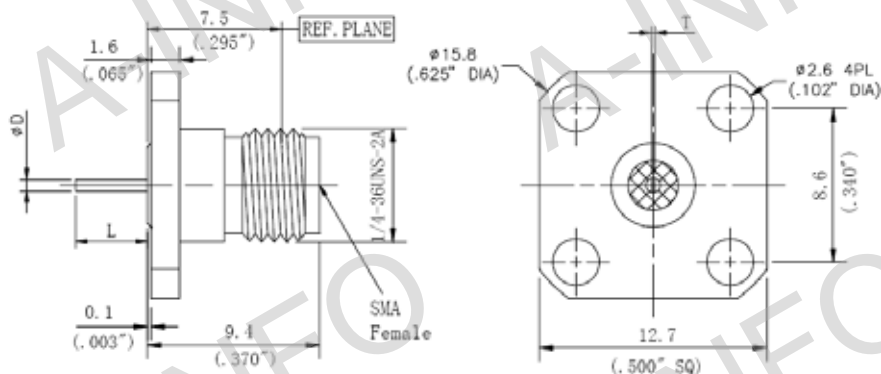


P/N	D	L
HPC1450-01	0.64mm/0.025inch	18mm/0.709inch
HPC1450-02	0.87mm/0.034inch	26mm/1.024inch
HPC1450-03	0.87mm/0.034inch	10.92mm/0.43inch

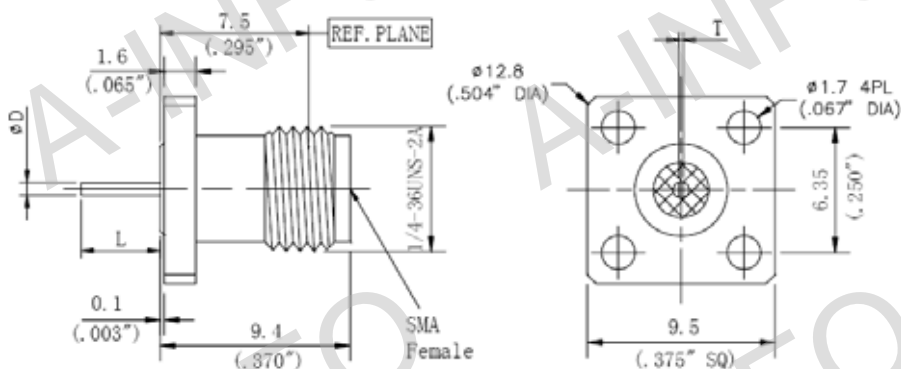


P/N	D	L
HPC1451-01	0.64mm/0.025inch	18mm/0.709inch
HPC1451-02	0.87mm/0.034inch	26mm/1.024inch
HPC1451-03	0.87mm/0.034inch	10.92mm/0.43inch

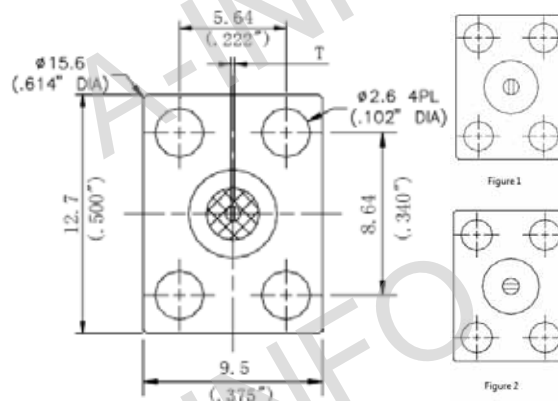
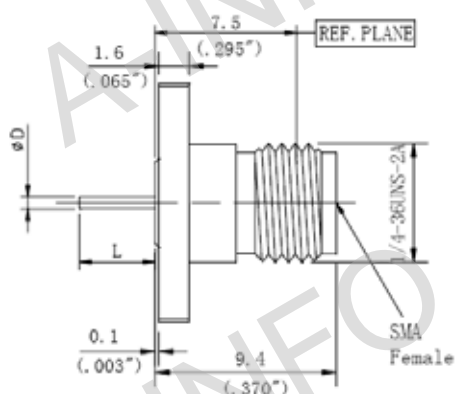
SMA Series Tab Contact Connectors



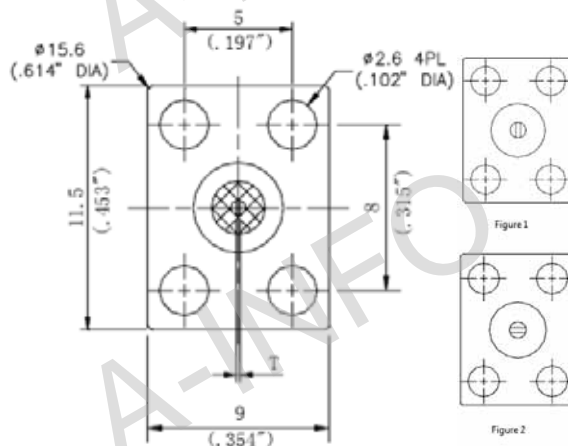
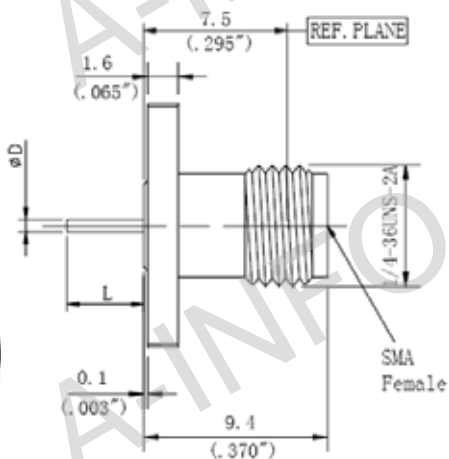
P/N	D	L	T
HPC1710-01	0.65mm/0.026inch	4mm/0.158inch	0.2mm/0.008inch
HPC1710-02	1.27mm/0.05inch	1.27mm/0.05inch	0.15mm/0.006inch



P/N	D	L	T
HPC1711-01	0.65mm/0.026inch	4mm/0.158inch	0.2mm/0.008inch
HPC1711-02	1.27mm/0.05inch	1.27mm/0.05inch	0.15mm/0.006inch

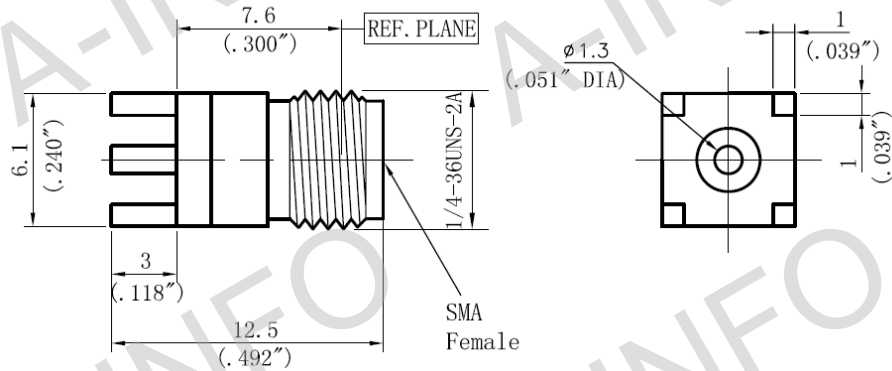


P/N	D	L	T	Figure
HPC1712-01	0.65mm/0.026inch	4mm/0.158inch	0.2mm/0.008inch	1
HPC1712-02	0.65mm/0.026inch	4mm/0.158inch	0.2mm/0.008inch	2
HPC1712-03	1.27mm/0.05inch	1.27mm/0.05inch	0.15mm/0.006inch	1
HPC1712-04	1.27mm/0.05inch	1.27mm/0.05inch	0.15mm/0.006inch	2

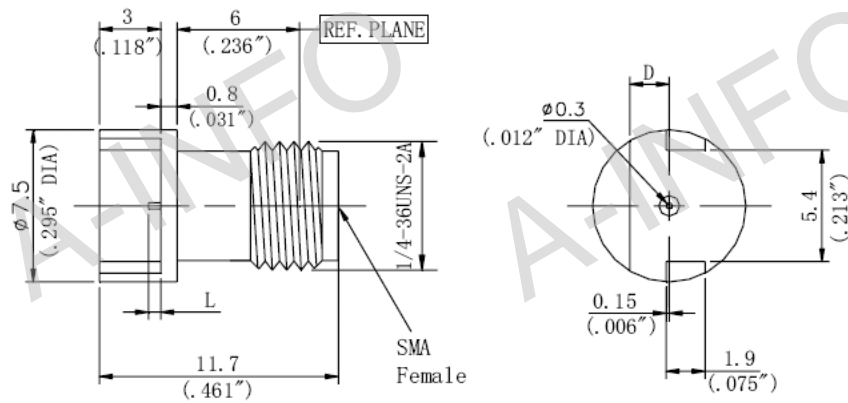


P/N	D	L	T	Figure
HPC1713-01	0.65mm/0.026inch	4mm/0.158inch	0.2mm/0.008inch	1
HPC1713-02	0.65mm/0.026inch	4mm/0.158inch	0.2mm/0.008inch	2
HPC1713-03	1.27mm/0.05inch	1.27mm/0.05inch	0.15mm/0.006inch	1
HPC1713-04	1.27mm/0.05inch	1.27mm/0.05inch	0.15mm/0.006inch	2

SMA Series PCB Connectors

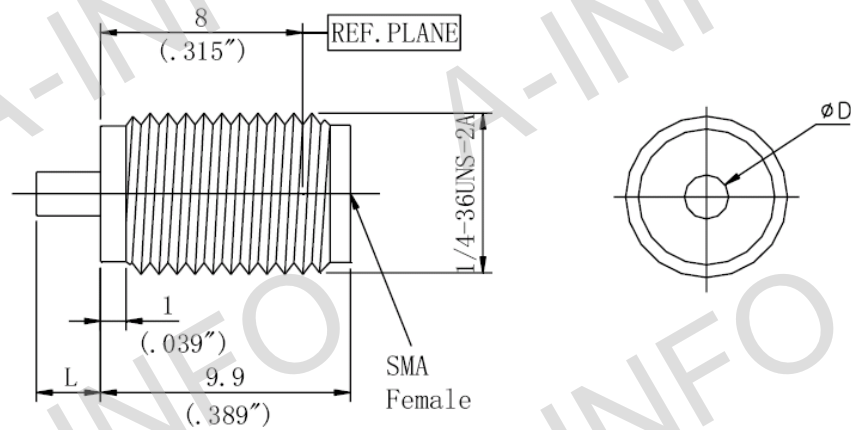


P/N
HPC1512-01



P/N	D	L	PCB Thickness
HPC1513-01	1.93mm/0.076	0.6mm/0.023	1.78mm/0.070
HPC1513-02	0.76mm/0.030	0.6mm/0.023	0.61mm/0.024
HPC1513-03	1.02mm/0.040	0.6mm/0.023	0.87mm/0.034
HPC1514-01	1.93mm/0.076	1.22mm/0.048	1.78mm/0.070
HPC1514-02	0.76mm/0.030	1.22mm/0.048	0.61mm/0.024
HPC1514-03	1.02mm/0.040	1.22mm/0.048	0.87mm/0.034

SMA Stripline Receptacles Connectors



P/N	D	L
HPC1610-01	1.75mm/0.069inch	2.54mm/0.100inch
HPC1610-02	1.75mm/0.069inch	4.7mm/0.185inch

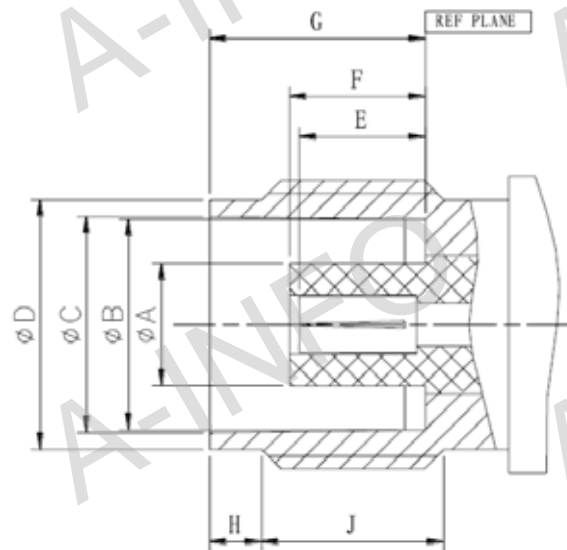
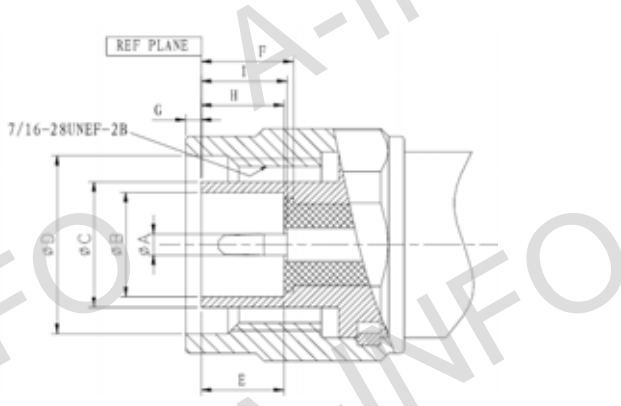
TNCA Connector Series

Performance Features

Nominal Impedance	50ohm
Frequency Range	DC-18GHz
VSWR: DC-18GHz...	1.15:1 max
Durability	500cycles
Operating Temperature	-55°C ~ +165°C

Materials/Finishes

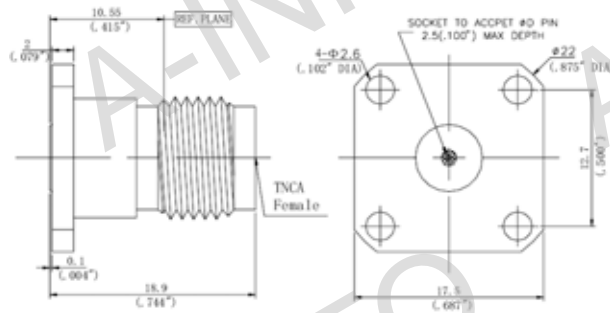
Housing: Type 303 Stainless Steel-Polished&Passivated
Center Contact: Beryllium Copper Plated Gold (MIL-G-45204)
Insulators: PEI or PEI&PTFE
Interfaces: PER MIL-STD-348A



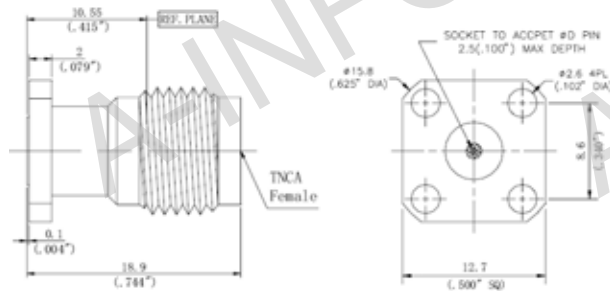
LTR	TNCN Male			
	mm	Inch	mm	Inch
A	1.32	1.37	0.052	0.054
B	6.05	6.15	0.238	0.242
C	7.98	8.05	0.314	0.318
D	11.18		0.44	
E	5.28		0.208	
F	5.38		0.212	
G	5.28		0.208	
H	5.28		0.208	

LTR	TNCN Female			
	mm	Inch	mm	Inch
A	4.62	4.72	0.182	0.186
B	8.10	8.15	0.319	0.321
C	8.31	8.46	0.327	0.333
D	9.6	9.68	0.378	0.381
E	5.03	5.28	0.198	0.208
F	5.03	5.28	0.198	0.208-
G	8.31	8.51	0.327	0.335
H	1.73	2.24	0.068	0.088
J	4.75	-	0.187	-

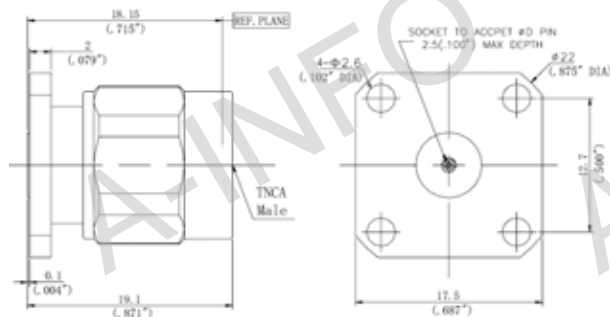
TNCA Series Field Replaceable Flange Connectors



P/N	D
HPC2110-18	0.018inch/0.46mm
HPC2110-20	0.020inch/0.51mm
HPC2110-36	0.036inch/0.91mm

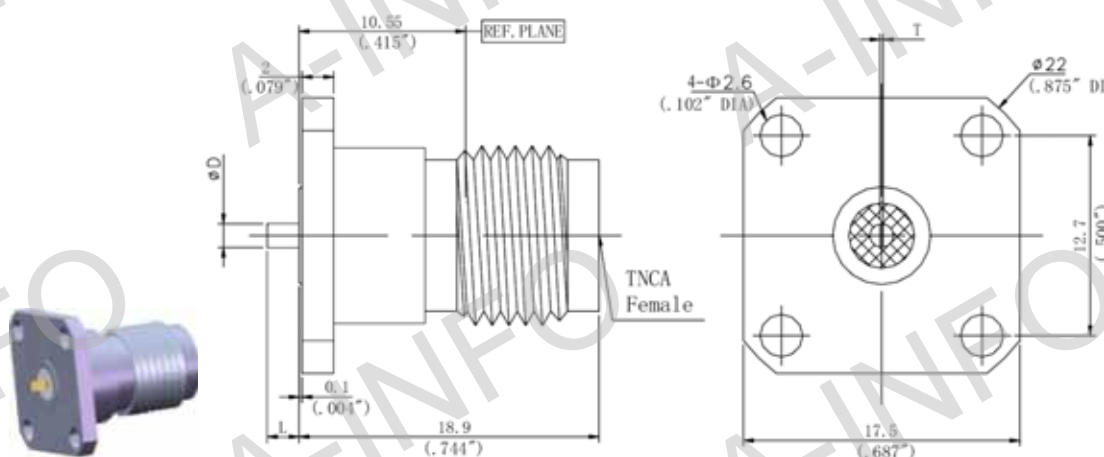


P/N	D
HPC2111-18	0.018inch/0.46mm
HPC2111-20	0.020inch/0.51mm
HPC2111-36	0.036inch/0.91mm

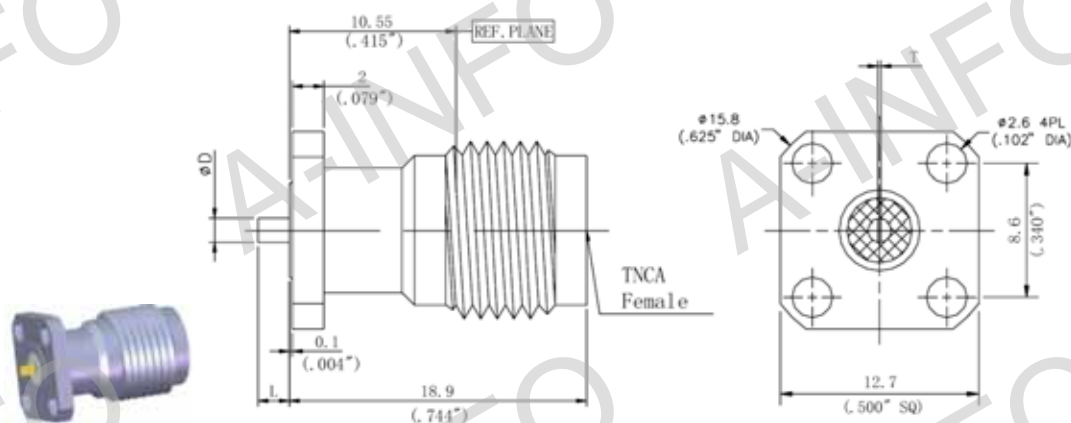


P/N	D
HPC2112-18	0.018inch/0.46mm
HPC2112-20	0.020inch/0.51mm
HPC2112-36	0.036inch/0.91mm

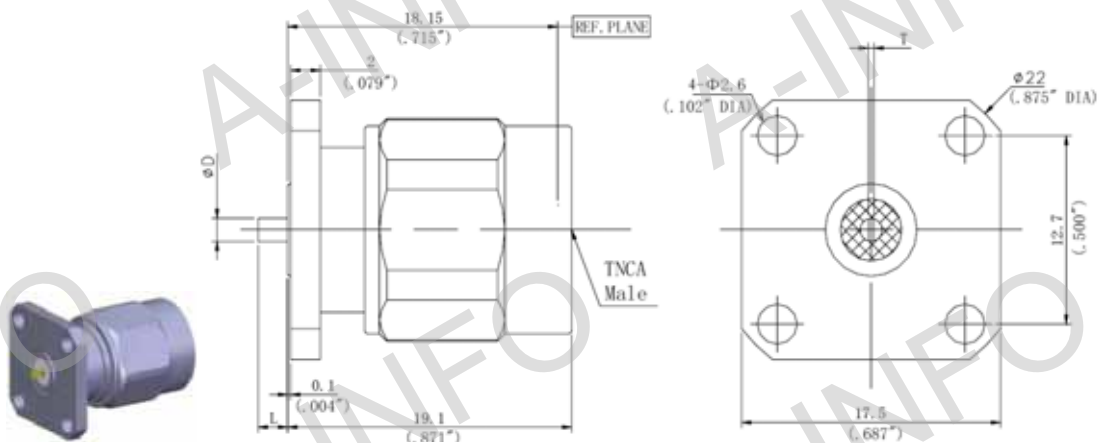
TNCA Series Tab Contact Connectors



P/N	D	L	T
HPC2210-01	1.5mm/0.059inch	2mm/0.079inch	0.2mm/0.008inch



P/N	D	L	T
HPC2210-02	1.5mm/0.059inch	2mm/0.079inch	0.2mm/0.008inch



P/N	D	L	T
HPC2210-03	1.5mm/0.059inch	2mm/0.079inch	0.2mm/0.008inch

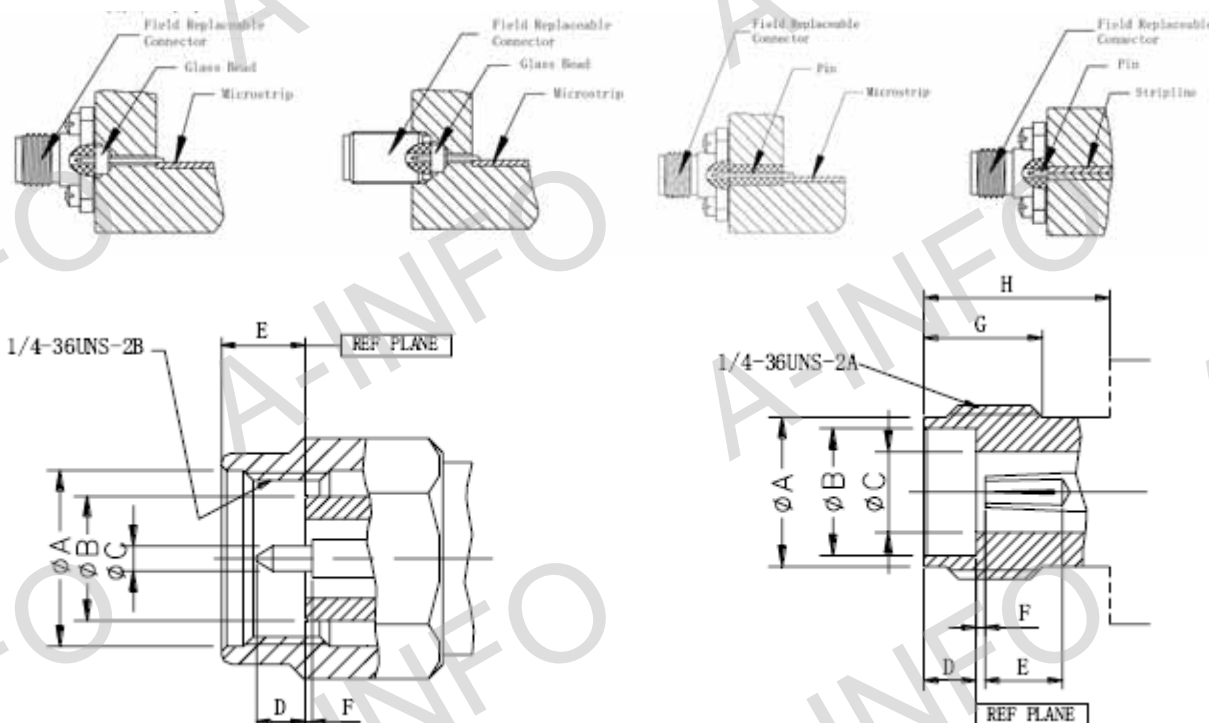
2.92mm Connector Series

Performance Features

Nominal Impedance	50ohm
Frequency Range	DC-40GHz
VSWR:DC-40GHz...	1.15:1 max
Durability	500cycles
Operating Temperature	-55°C ~ +165°C

Materials/Finishes

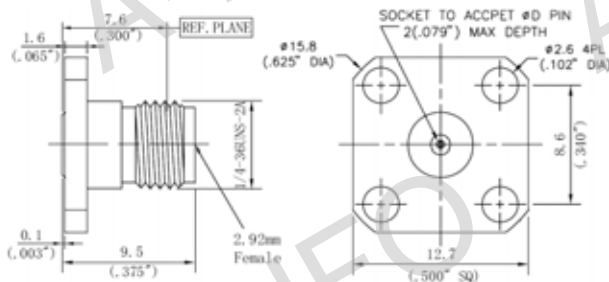
Housing: Type 303 Stainless Steel-Polished&Passivated
Center Contact: Beryllium Copper Plated Gold (MIL-G-45204)
Insulators: PEI or PEI&PTFE
Interfaces: PER MIL-STD-348A



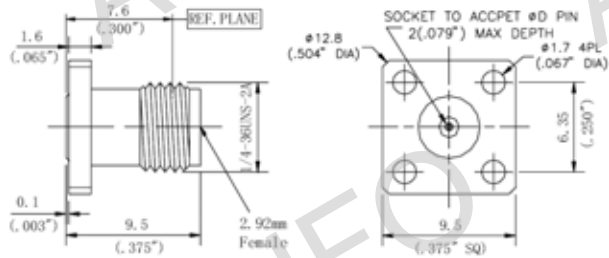
2.92mm Male				
	mm		Inch	
	Min	Max	Min	Max
A	6.48	-	0.255	-
B	4.52	4.57	0.178	0.180
C	0.90	0.94	0.0355	0.0370
D	1.40	1.65	0.055	0.065
E	-	3.43	-	0.135
F	0.00	0.13	0.000	0.005

2.92mm Female				
	mm		Inch	
	Min	Max	Min	Max
A	5.23	5.44	0.206	0.214
B	4.60	4.65	0.181	0.183
C	2.90	2.95	0.114	0.116
D	1.88	1.98	0.074	0.078
E	2.67	-	0.105	-
F	0.00	0.13	0.000	0.005
G	4.32	-	0.170	-
H	5.54	-	0.218	-

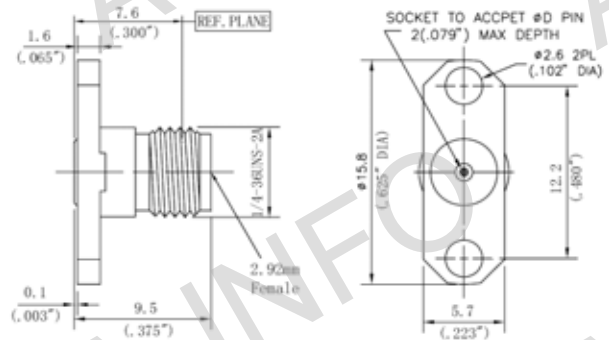
2.92mm Series Field Replaceable Flange Connectors



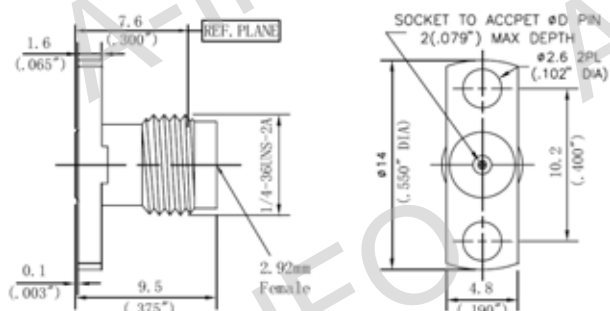
P/N	D
HPC3110-09	0.009inch/0.23mm
HPC3110-12	0.012inch/0.30mm
HPC3110-15	0.015inch/0.38mm
HPC3110-20	0.020inch/0.51mm



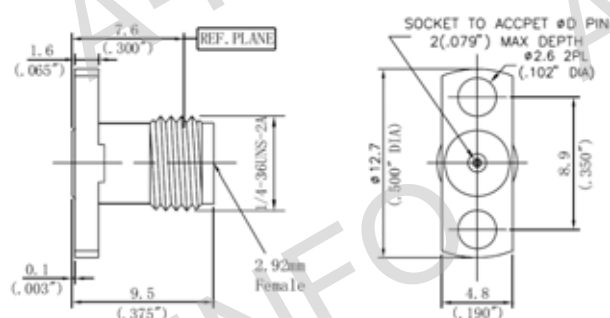
P/N	D
HPC3111-09	0.009inch/0.23mm
HPC3111-12	0.012inch/0.30mm
HPC3111-15	0.015inch/0.38mm
HPC3111-20	0.020inch/0.51mm



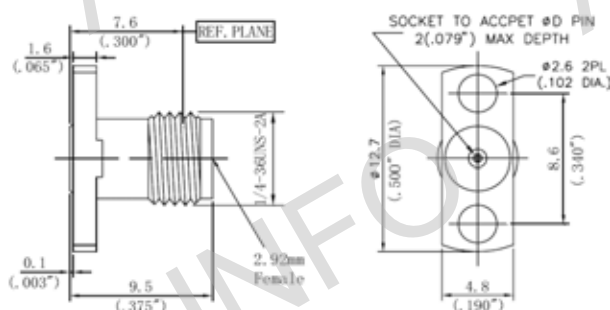
P/N	D
HPC3113-09	0.009inch/0.23mm
HPC3113-12	0.012inch/0.30mm
HPC3113-15	0.015inch/0.38mm
HPC3113-20	0.020inch/0.51mm



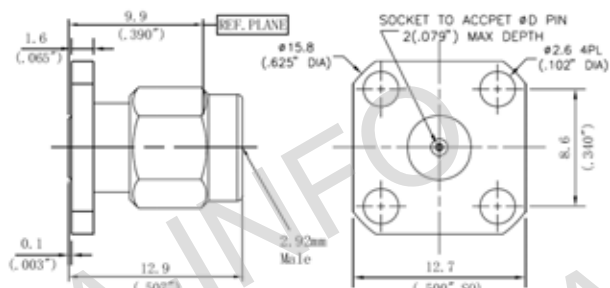
P/N	D
HPC3114-09	0.009inch/0.23mm
HPC3114-12	0.012inch/0.30mm
HPC3114-15	0.015inch/0.38mm
HPC3114-20	0.020inch/0.51mm



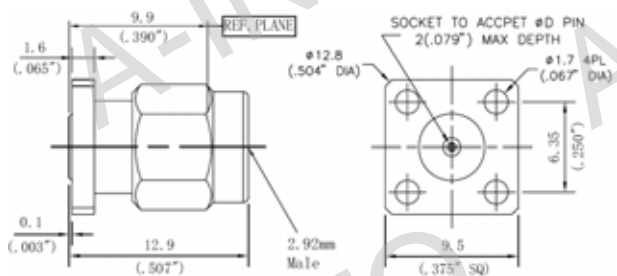
P/N	D
HPC3115-09	0.009inch/0.23mm
HPC3115-12	0.012inch/0.30mm
HPC3115-15	0.015inch/0.38mm
HPC3115-20	0.020inch/0.51mm



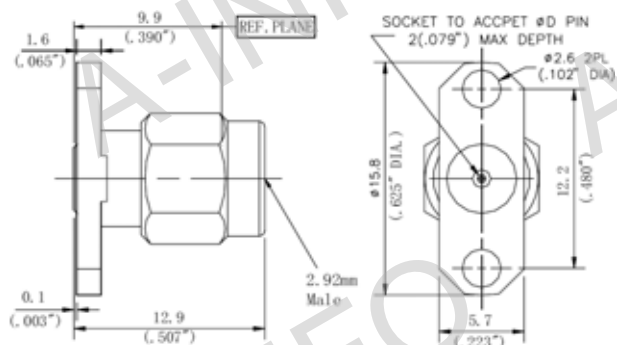
P/N	D
HPC3116-09	0.009inch/0.23mm
HPC3116-12	0.012inch/0.30mm
HPC3116-15	0.015inch/0.38mm
HPC3116-20	0.020inch/0.51mm



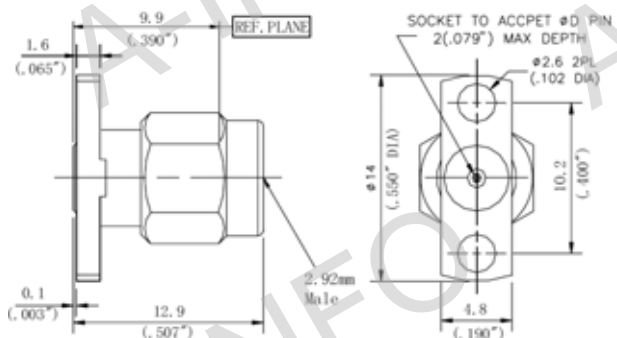
P/N	D
HPC3117-09	0.009inch/0.23mm
HPC3117-12	0.012inch/0.30mm
HPC3117-15	0.015inch/0.38mm
HPC3117-20	0.020inch/0.51mm



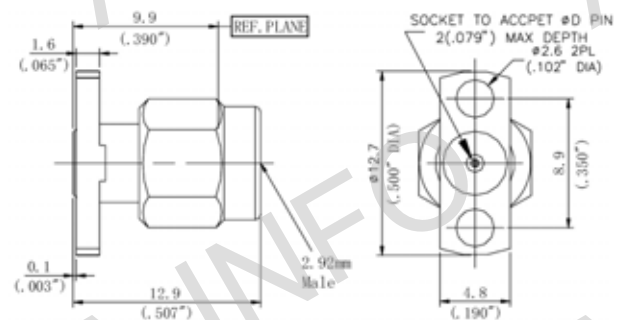
P/N	D
HPC3118-09	0.009inch/0.23mm
HPC3118-12	0.012inch/0.30mm
HPC3118-15	0.015inch/0.38mm
HPC3118-20	0.020inch/0.51mm



P/N	D
HPC3120-09	0.009inch/0.23mm
HPC3120-12	0.012inch/0.30mm
HPC3120-15	0.015inch/0.38mm
HPC3120-20	0.020inch/0.51mm

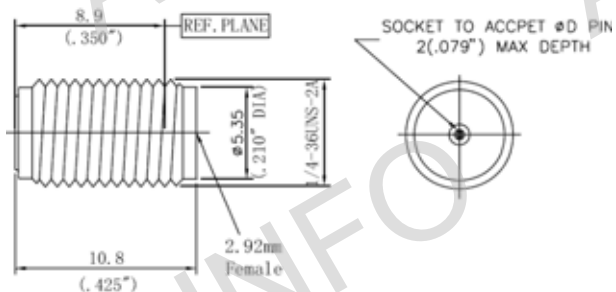


P/N	D
HPC3121-09	0.009inch/0.23mm
HPC3121-12	0.012inch/0.30mm
HPC3121-15	0.015inch/0.38mm
HPC3121-20	0.020inch/0.51mm



P/N	D
HPC3122-09	0.009inch/0.23mm
HPC3122-12	0.012inch/0.30mm
HPC3122-15	0.015inch/0.38mm
HPC3122-20	0.020inch/0.51mm

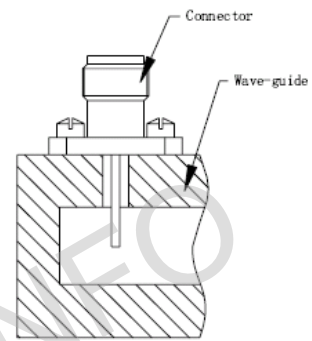
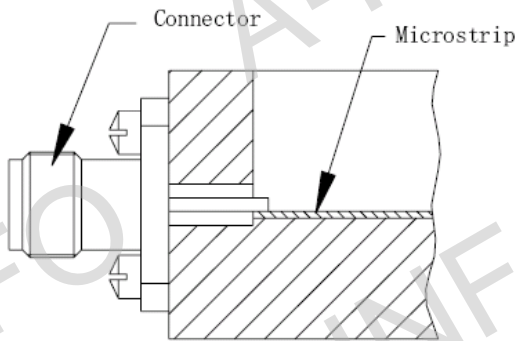
2.92mm Series Field Replaceable Thread-in Connector



P/N	D
HPC3211-09	0.009inch/0.23mm
HPC3211-12	0.012inch/0.30mm
HPC3211-15	0.015inch/0.38mm
HPC3211-20	0.020inch/0.51mm

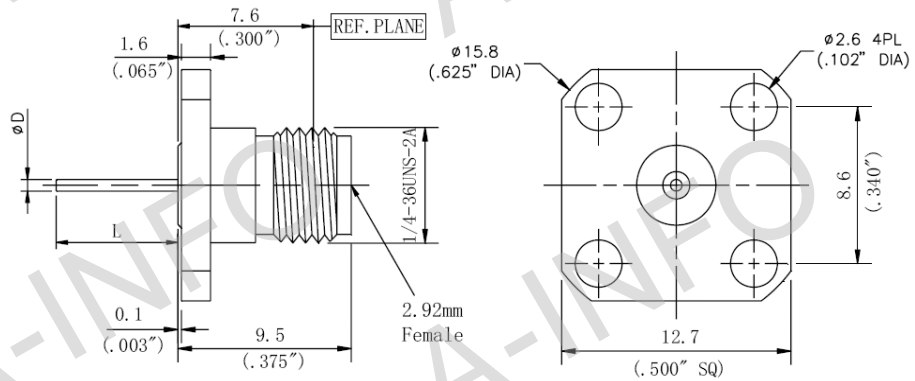
2.92mm Series Bunt Post Contact Connectors

Application

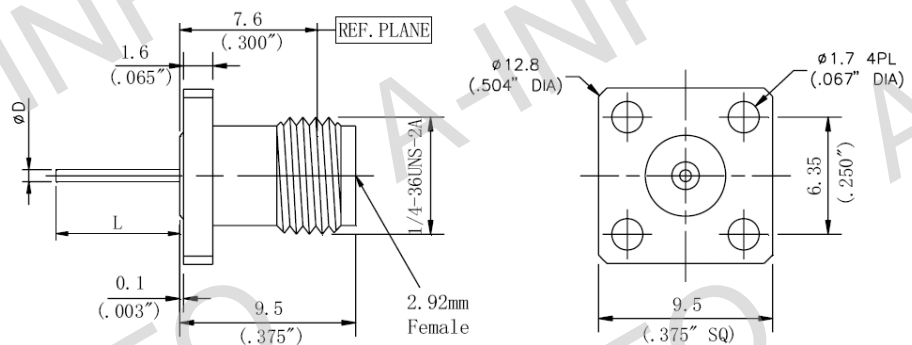


Type 1. Microstrip

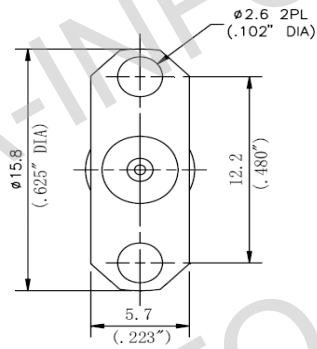
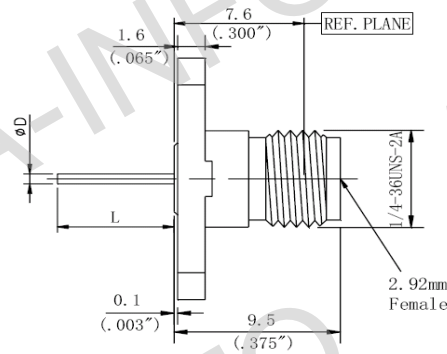
Type 2. Waveguide



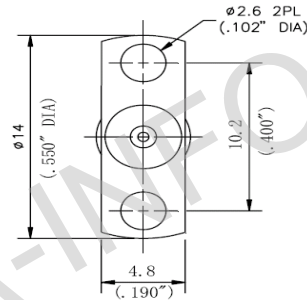
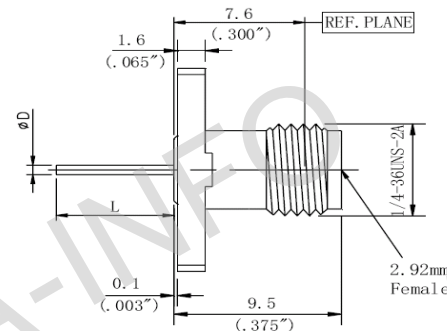
P/N	D	L
HPC3312-11	0.64mm/0.025inch	10.92mm/0.43inch
HPC3312-12	0.64mm/0.025inch	6.84mm/0.269inch
HPC3312-13	0.30mm/0.012inch	7mm/0.276inch



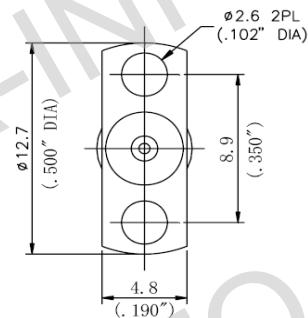
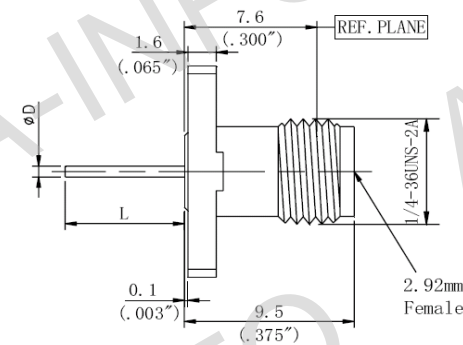
P/N	D	L
HPC3312-21	0.64mm/0.025inch	10.92mm/0.43inch
HPC3312-22	0.64mm/0.025inch	6.84mm/0.269inch
HPC3312-23	0.30mm/0.012inch	7mm/0.276inch



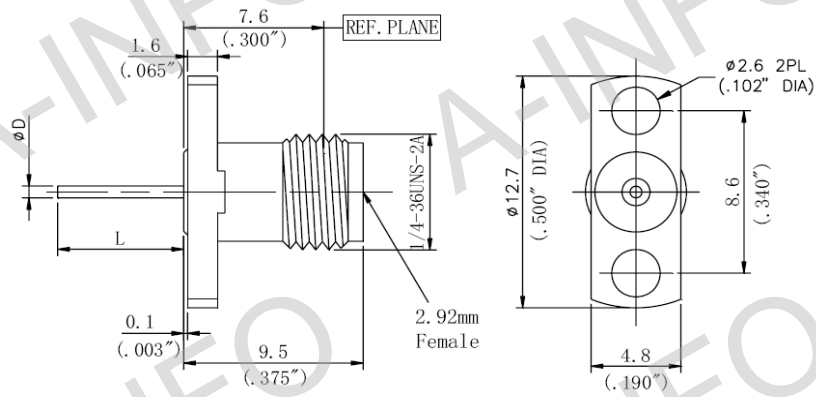
P/N	D	L
HPC3313-11	0.64mm/0.025inch	10.92mm/0.43inch
HPC3313-12	0.64mm/0.025inch	6.84mm/0.269inch
HPC3313-13	0.30mm/0.012inch	7mm/0.276inch



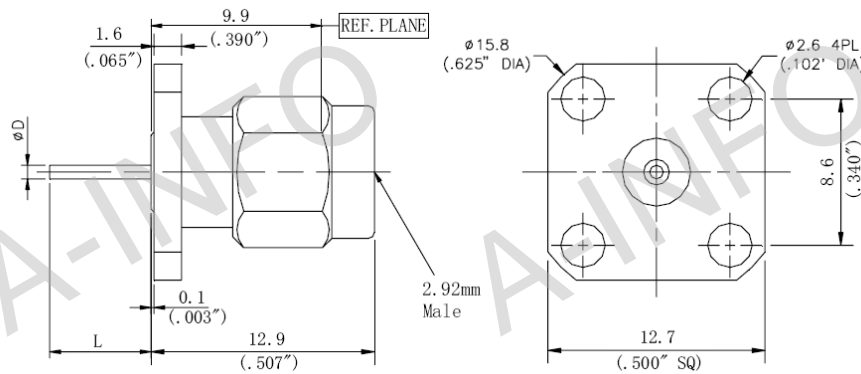
P/N	D	L
HPC3313-21	0.64mm/0.025inch	10.92mm/0.43inch
HPC3313-22	0.64mm/0.025inch	6.84mm/0.269inch
HPC3313-23	0.30mm/0.012inch	7mm/0.276inch



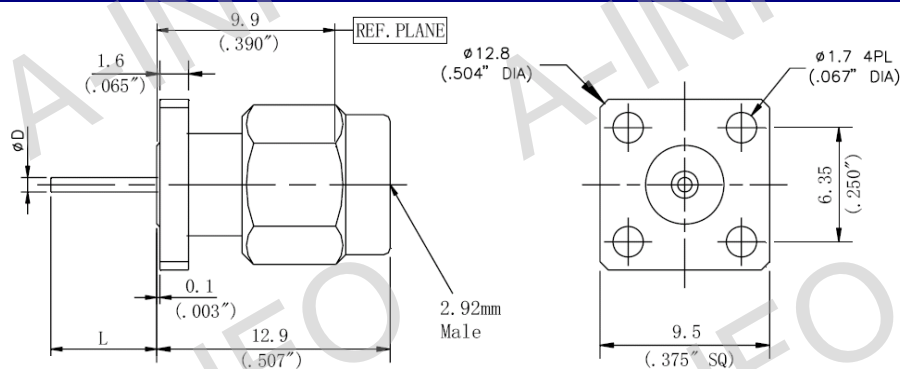
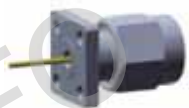
P/N	D	L
HPC3313-31	0.64mm/0.025inch	10.92mm/0.43inch
HPC3313-32	0.64mm/0.025inch	6.84mm/0.269inch
HPC3313-33	0.30mm/0.012inch	7mm/0.276inch



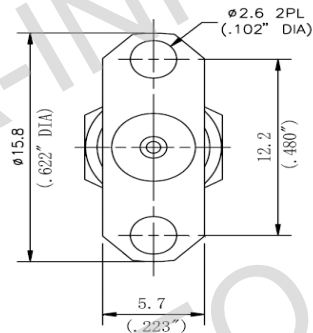
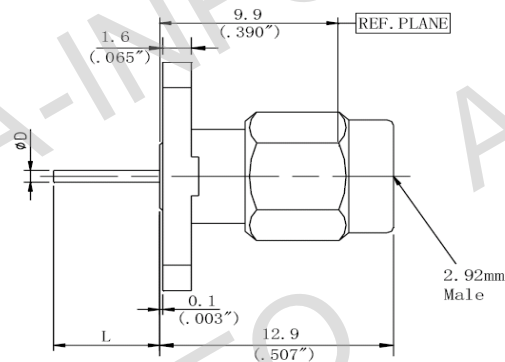
P/N	D	L
HPC3313-41	0.64mm/0.025inch	10.92mm/0.43inch
HPC3313-42	0.64mm/0.025inch	6.84mm/0.269inch
HPC3313-43	0.30mm/0.012inch	7mm/0.276inch



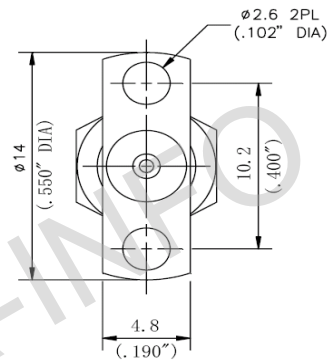
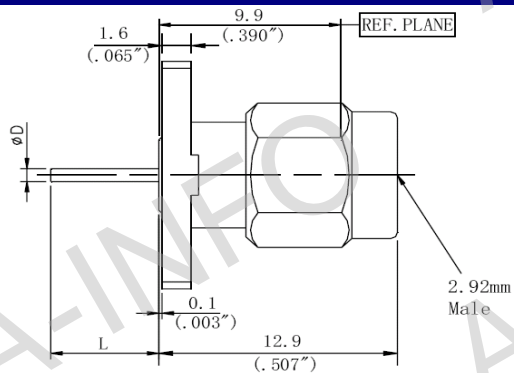
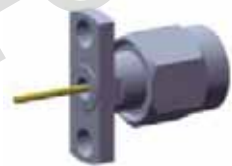
P/N	D	L
HPC3310-01	0.64mm/0.025inch	10.92mm/0.43inch
HPC3310-02	0.64mm/0.025inch	6.84mm/0.269inch



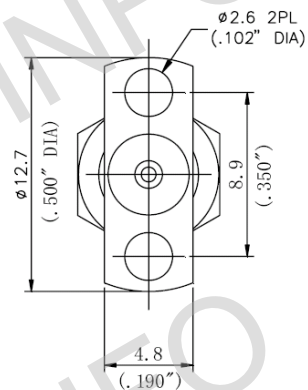
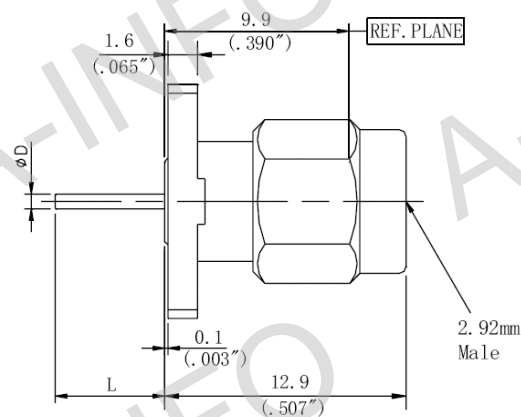
P/N	D	L
HPC3310-21	0.64mm/0.025inch	10.92mm/0.43inch
HPC3310-22	0.64mm/0.025inch	6.84mm/0.269inch



P/N	D	L
HPC3311-11	0.64mm/0.025inch	10.92mm/0.43inch
HPC3311-12	0.64mm/0.025inch	6.84mm/0.269inch

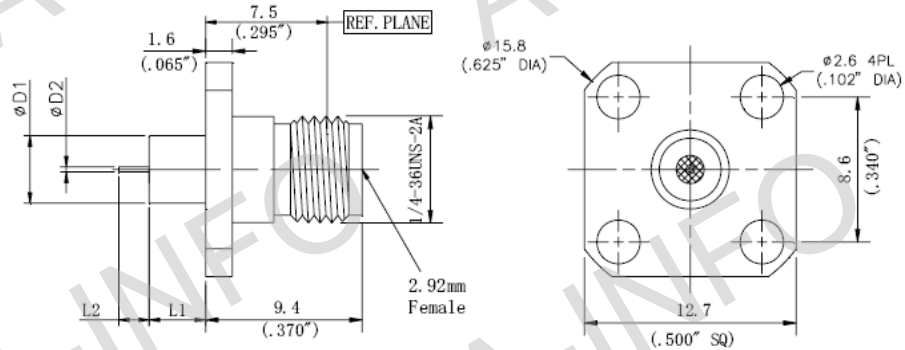


P/N	D	L
HPC3311-21	0.64mm/0.025inch	10.92mm/0.43inch
HPC3311-22	0.64mm/0.025inch	6.84mm/0.269inch

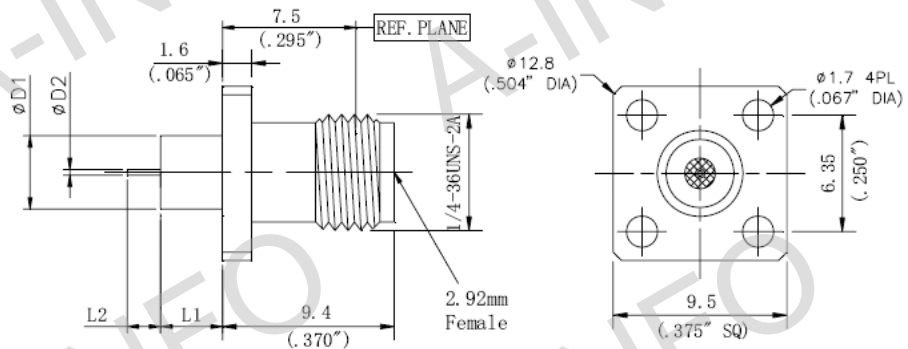


P/N	D	L
HPC3311-31	0.64mm/0.025inch	10.92mm/0.43inch
HPC3311-32	0.64mm/0.025inch	6.84mm/0.269inch

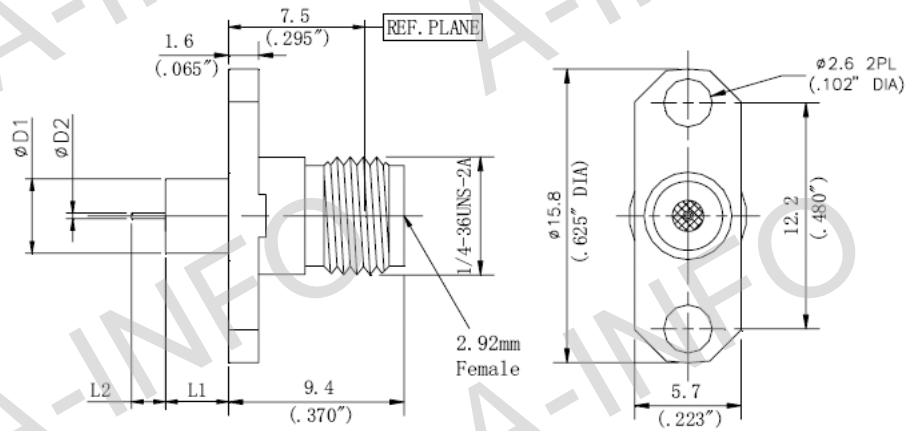
2.92mm Series Round Contact Connectors



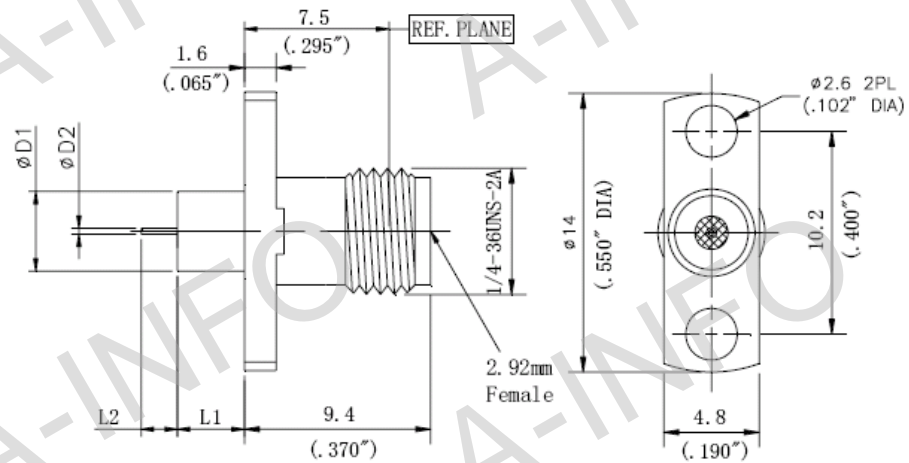
P/N	D1	D2	L1	L2
HPC3314-01	4mm/0.158inch	0.3mm/0.012inch	1.4mm/0.055inch	1.5mm/0.059inch
HPC3314-02	4mm/0.158inch	0.3mm/0.012inch	3mm/0.118inch	1.5mm/0.059inch



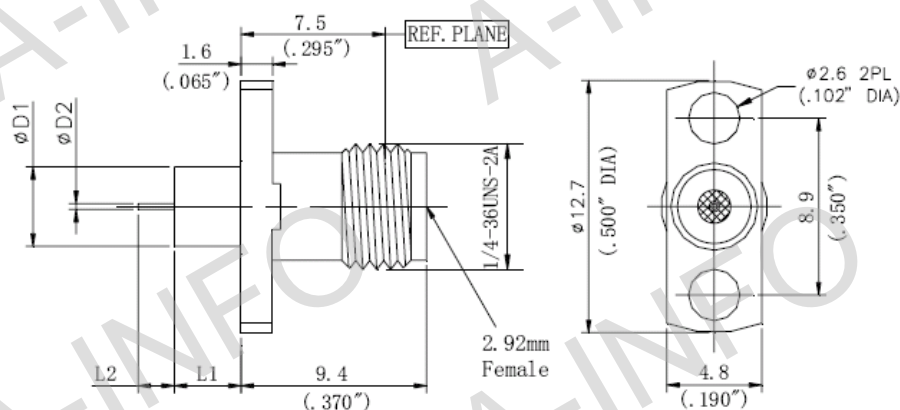
P/N	D1	D2	L1	L2
HPC3315-01	4mm/0.158inch	0.3mm/0.012inch	1.4mm/0.055inch	1.5mm/0.059inch
HPC3315-02	4mm/0.158inch	0.3mm/0.012inch	3mm/0.118inch	1.5mm/0.059inch



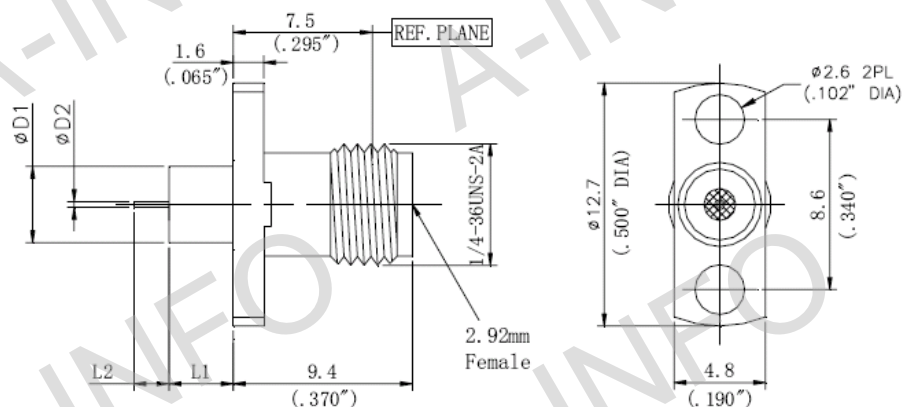
P/N	D1	D2	L1	L2
HPC3316-01	4mm/0.158inch	0.3mm/0.012inch	1.4mm/0.055inch	1.5mm/0.059inch
HPC3316-02	4mm/0.158inch	0.3mm/0.012inch	3mm/0.118inch	1.5mm/0.059inch



P/N	D1	D2	L1	L2
HPC3317-01	4mm/0.158inch	0.3mm/0.012inch	1.4mm/0.055inch	1.5mm/0.059inch
HPC3317-02	4mm/0.158inch	0.3mm/0.012inch	3mm/0.118inch	1.5mm/0.059inch

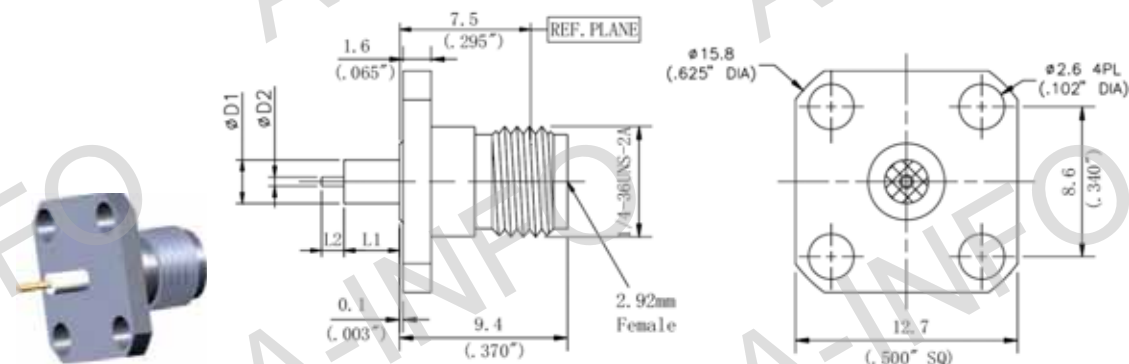


P/N	D1	D2	L1	L2
HPC3318-01	4mm/0.158inch	0.3mm/0.012inch	1.4mm/0.055inch	1.5mm/0.059inch
HPC3318-02	4mm/0.158inch	0.3mm/0.012inch	3mm/0.118inch	1.5mm/0.059inch

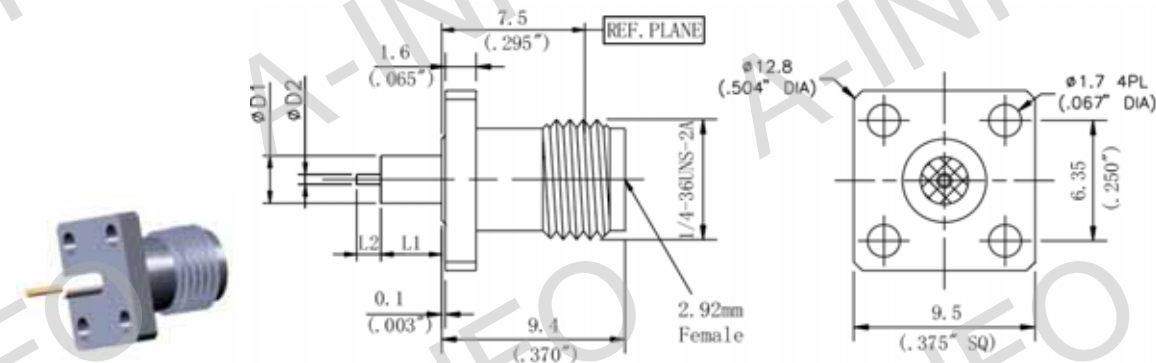


P/N	D1	D2	L1	L2
HPC3319-01	4mm/0.158inch	0.3mm/0.012inch	1.4mm/0.055inch	1.5mm/0.059inch
HPC3319-02	4mm/0.158inch	0.3mm/0.012inch	3mm/0.118inch	1.5mm/0.059inch

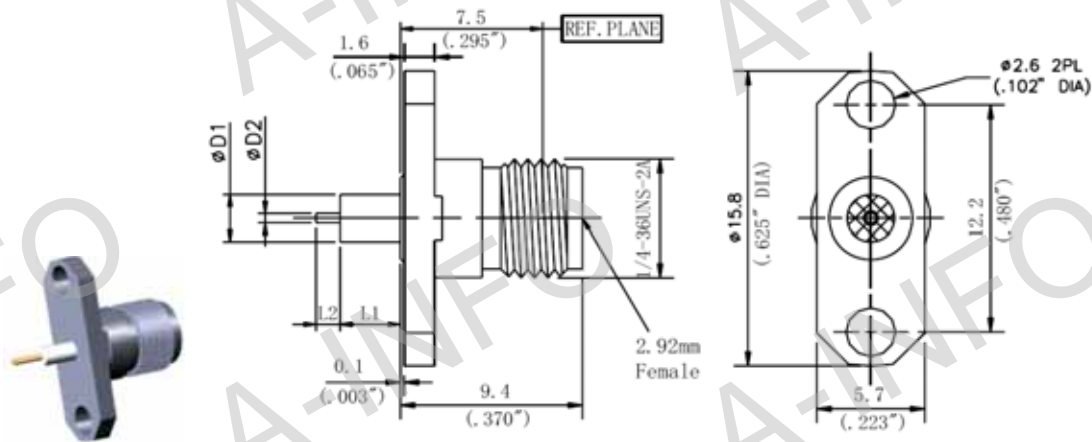
2.92mm Series Exposed Teflon Connectors



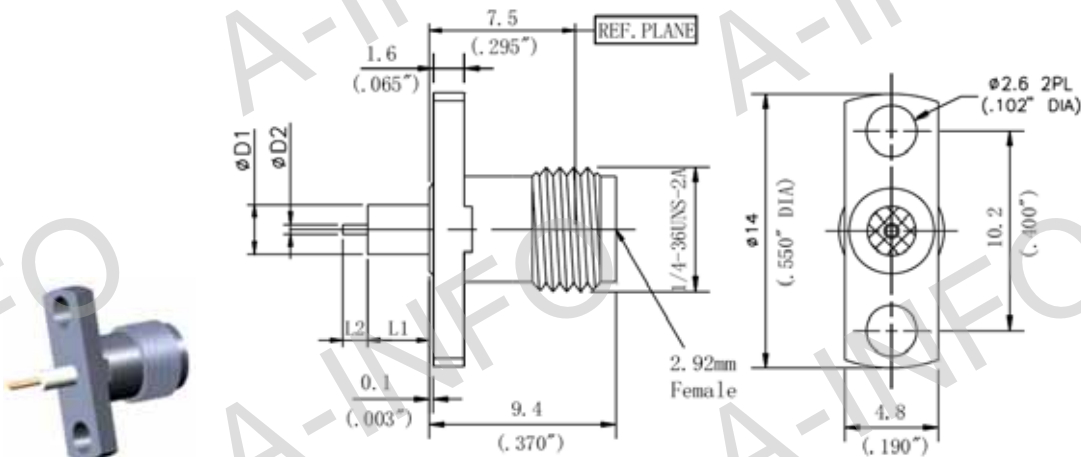
P/N	D1	D2	L1	L2
HPC3320-01	1.67mm/0.066inch	0.3mm/0.012inch	1.4mm/0.055inch	1.5mm/0.059inch
HPC3320-02	1.67mm/0.066inch	0.3mm/0.012inch	3mm/0.118inch	1.5mm/0.059inch



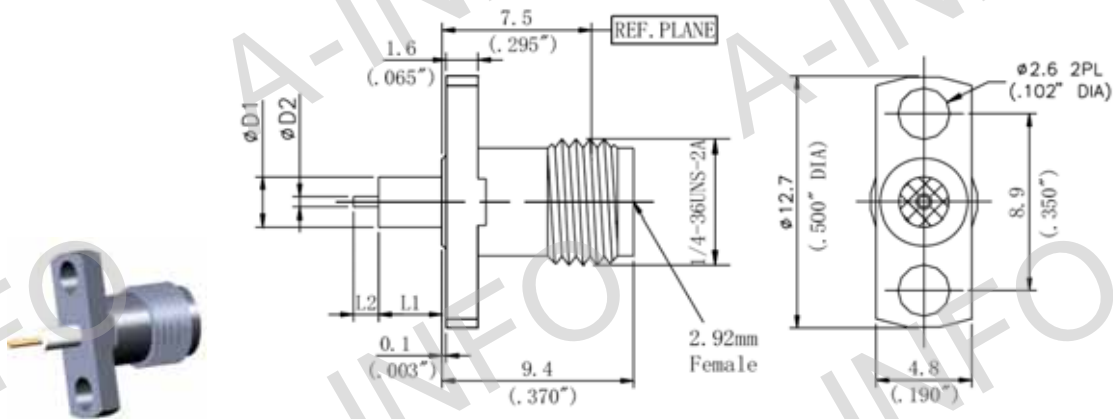
P/N	D1	D2	L1	L2
HPC3321-01	1.67mm/0.066inch	0.3mm/0.012inch	1.4mm/0.055inch	1.5mm/0.059inch
HPC3321-02	1.67mm/0.066inch	0.3mm/0.012inch	3mm/0.118inch	1.5mm/0.059inch



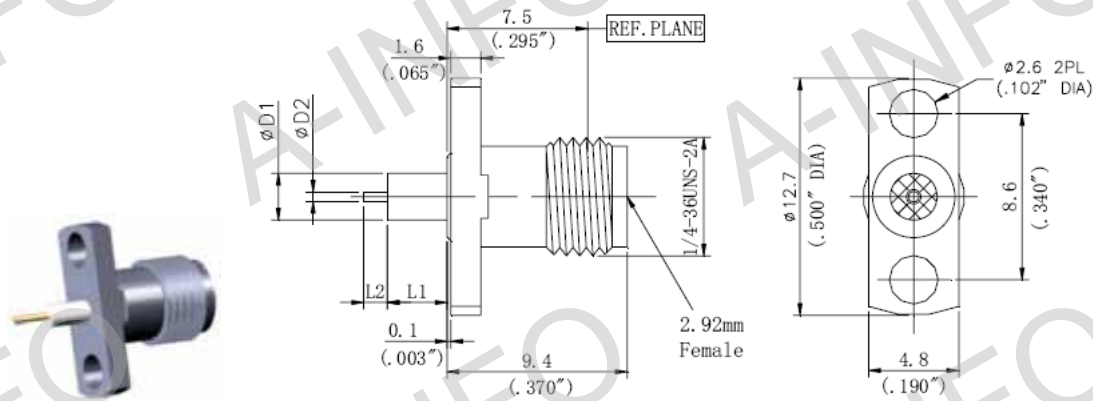
P/N	D1	D2	L1	L2
HPC3322-01	1.67mm/0.066inch	0.3mm/0.012inch	1.4mm/0.055inch	1.5mm/0.059inch
HPC3322-02	1.67mm/0.066inch	0.3mm/0.012inch	3mm/0.118inch	1.5mm/0.059inch



P/N	D1	D2	L1	L2
HPC3323-01	1.67mm/0.066inch	0.3mm/0.012inch	1.4mm/0.055inch	1.5mm/0.059inch
HPC3323-02	1.67mm/0.066inch	0.3mm/0.012inch	3mm/0.118inch	1.5mm/0.059inch

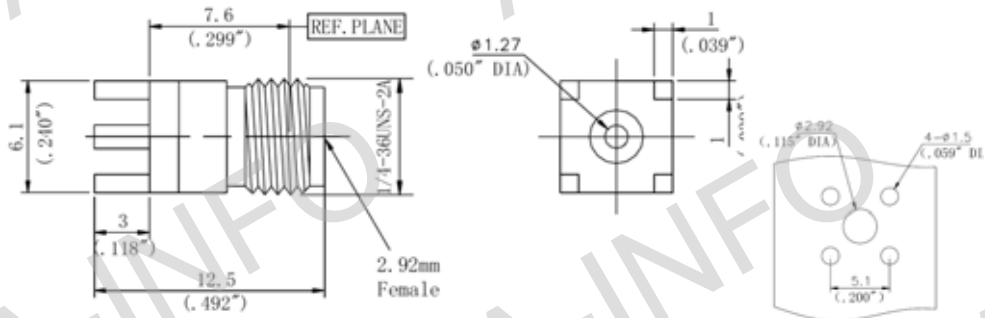
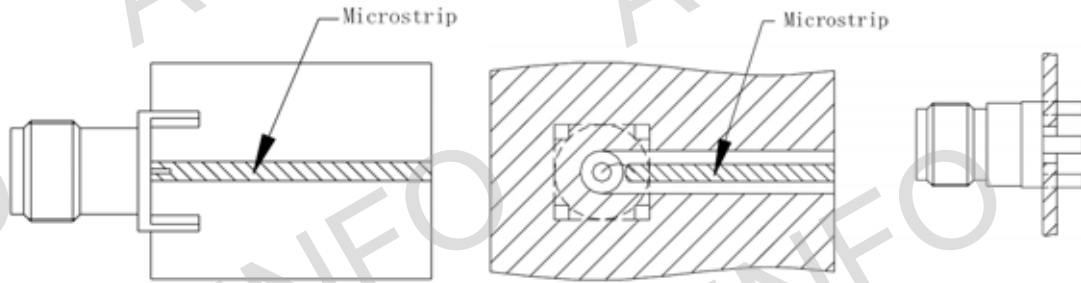


P/N	D1	D2	L1	L2
HPC3324-01	1.67mm/0.066inch	0.3mm/0.012inch	1.4mm/0.055inch	1.5mm/0.059inch
HPC3324-02	1.67mm/0.066inch	0.3mm/0.012inch	3mm/0.118inch	1.5mm/0.059inch

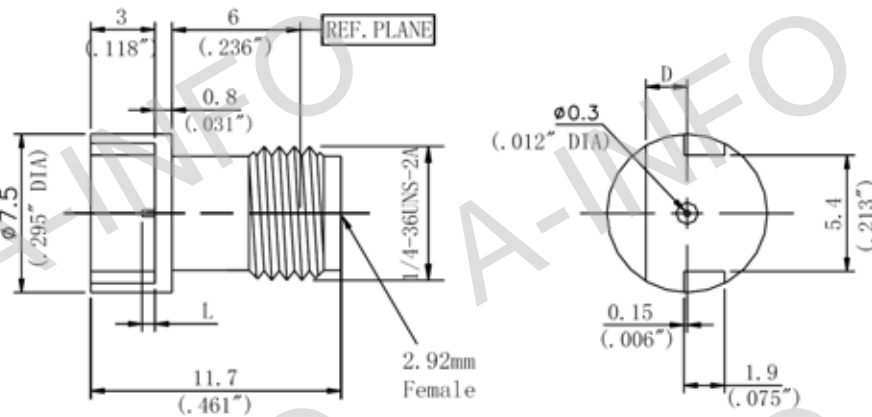


P/N	D1	D2	L1	L2
HPC3325-01	1.67mm/0.066inch	0.3mm/0.012inch	1.4mm/0.055inch	1.5mm/0.059inch
HPC3325-02	1.67mm/0.066inch	0.3mm/0.012inch	3mm/0.118inch	1.5mm/0.059inch

2.92mm Series PCB Connectors

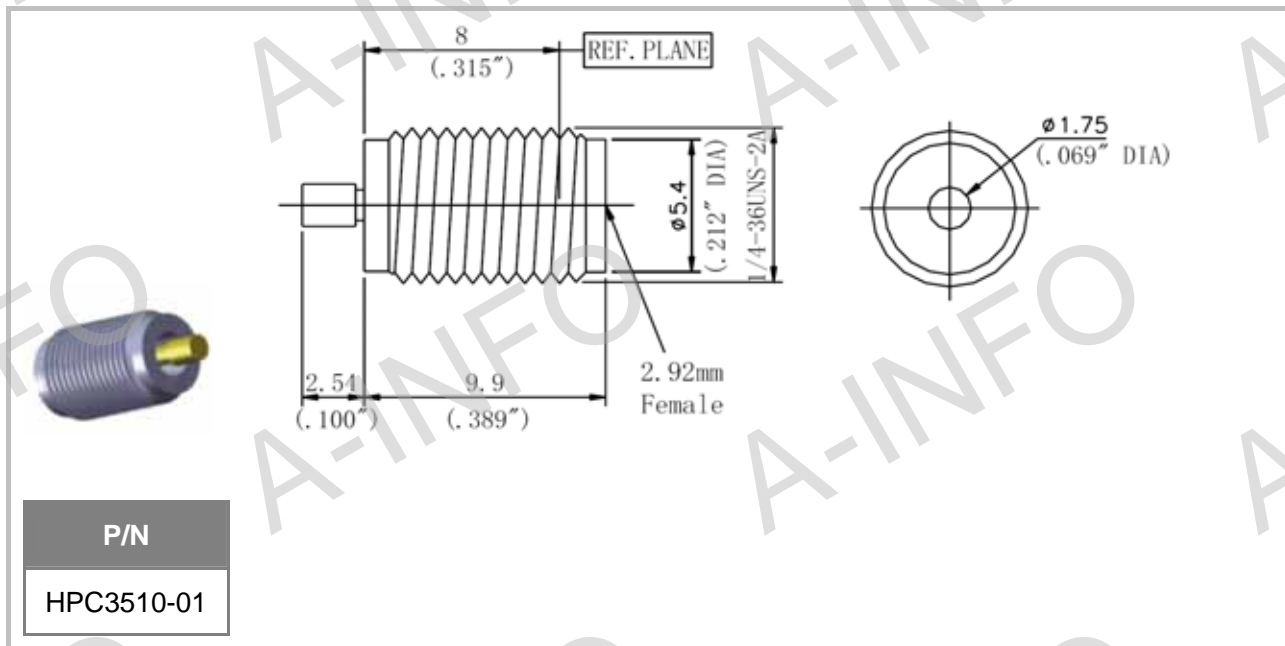


P/N
HPC3410-01



P/N	D	L	Thickness of Board
HPC3411-01	1.93mm/0.076inch	0.6mm/0.023inch	1.78mm/0.070inch
HPC3411-02	0.76mm/0.030inch	0.6mm/0.023inch	0.61mm/0.024inch
HPC3411-03	1.02mm/0.04inch	0.6mm/0.023inch	0.87mm/0.034inch

2.92mm Series Stripline Receptacle Connectors



2.4mm Connector Series

Performance Features

Nominal Impedance: 50ohm

Frequency Range: DC-50GHz

VSWR: DC-50GHz.... 1.15:1 max

Durability: 500cycles

Operating Temperature: -55°C ~ +165°C

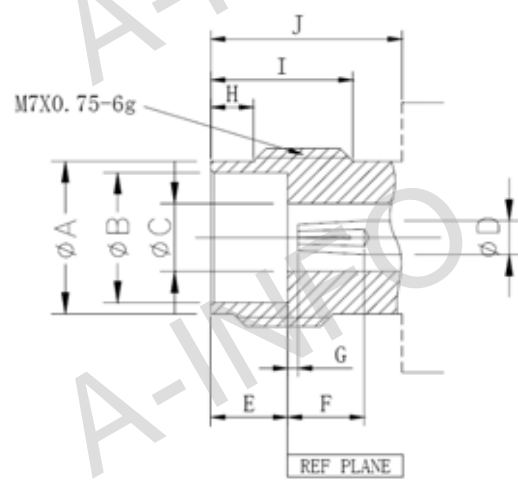
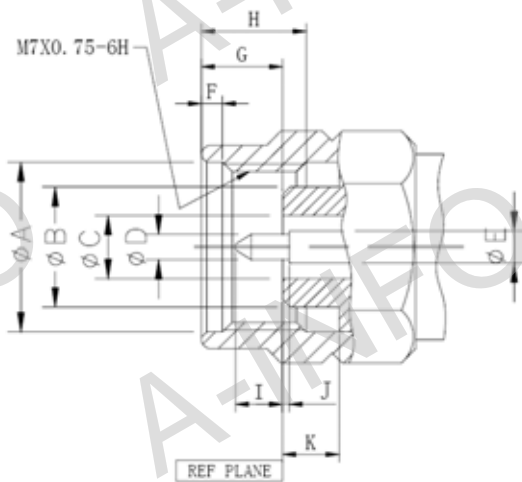
Materials/Finishes

Housing: Type 303 Stainless Steel-Polished & Passivated

Center Contact: Beryllium Copper Plated Gold (MIL-G-45204)

Insulators: PEI or PEI&PTFE

Interface: IEEE -STD-287-2007



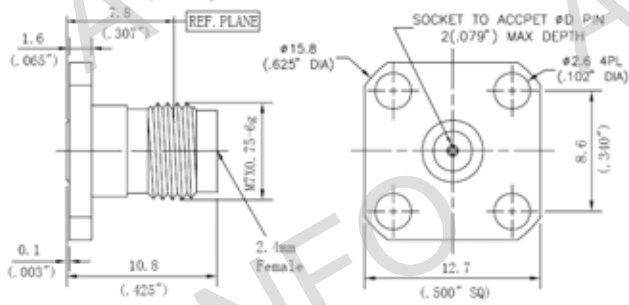
2.4mm Male

	Mm		Inch	
	Min	Max	Min	Max
A	7.01	7.11	0.276	0.280
B	4.72	4.75	0.186	0.187
C	2.39	2.41	0.094	0.095
D	0.50	0.52	0.0196	0.0206
E	1.03	1.05	0.0405	0.0415
F	0.51	0.76	0.020	0.030
G	1.85	2.67	0.073	0.105
H	4.37	4.65	0.172	0.183
I	1.35	1.45	0.053	0.057
J	-	0.08	-	0.003
K	3.40	3.51	0.134	0.138

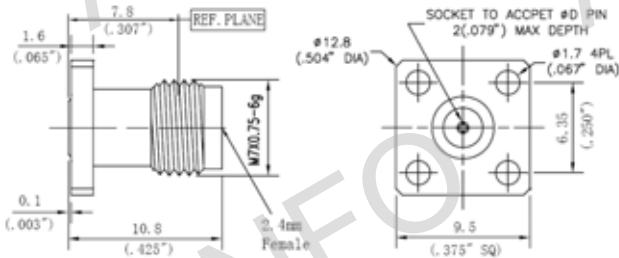
2.4mm Female

	mm		Inch	
	Min	Max	Min	Max
A	5.79	5.89	0.228	0.232
B	4.77	4.80	0.1878	0.1888
C	2.39	2.41	0.094	0.095
D	1.03	1.05	0.0406	0.0414
E	3.00	3.10	0.118	0.122
F	2.65	-	0.1043	-
G	-	0.08	-	0.003
H	1.37	1.63	0.054	0.064
I	4.80	5.05	0.189	0.199
J	6	-	0.2362	-

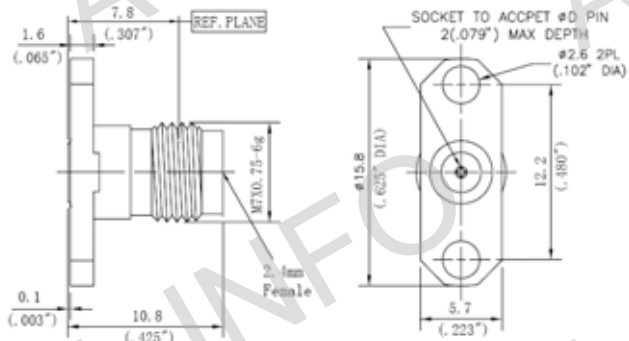
2.4mm Series Field Replaceable Flange Connectors



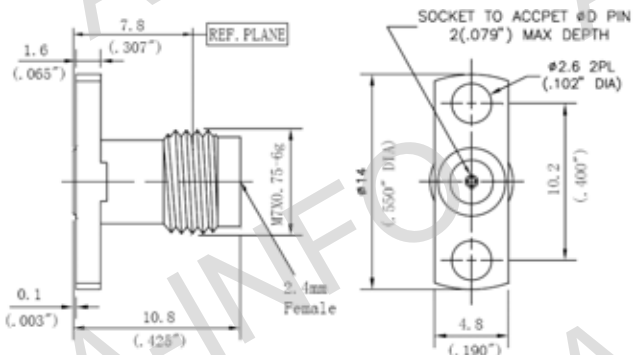
P/N	D
HPC4110-09	0.23mm/0.009
HPC4110-12	0.30mm/0.012
HPC4110-20	0.51mm/0.020



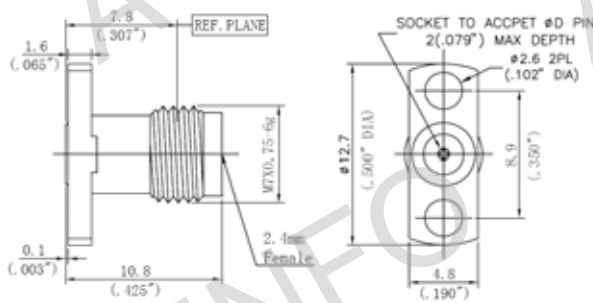
P/N	D
HPC4111-09	0.23mm/0.009
HPC4111-12	0.30mm/0.012
HPC4111-20	0.51mm/0.020



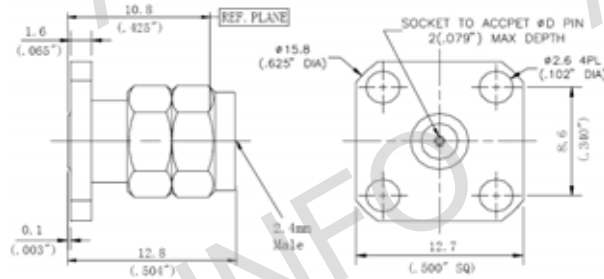
P/N	D
HPC4113-09	0.23mm/0.009
HPC4113-12	0.30mm/0.012
HPC4113-20	0.51mm/0.020



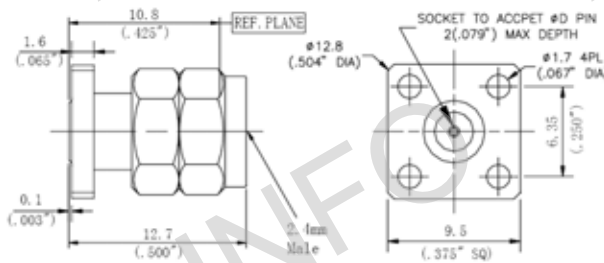
P/N	D
HPC4114-09	0.23mm/0.009
HPC4114-12	0.30mm/0.012
HPC4114-20	0.51mm/0.020



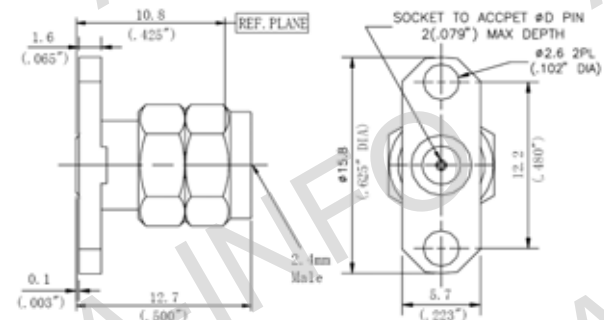
P/N	D
HPC4115-09	0.23mm/0.009
HPC4115-12	0.30mm/0.012
HPC4115-20	0.51mm/0.020



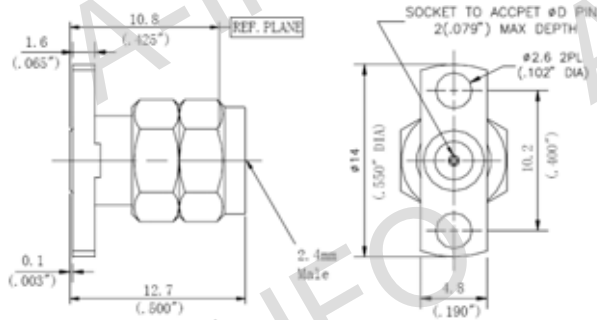
P/N	D
HPC4117-09	0.23mm/0.009
HPC4117-12	0.30mm/0.012
HPC4117-20	0.51mm/0.020



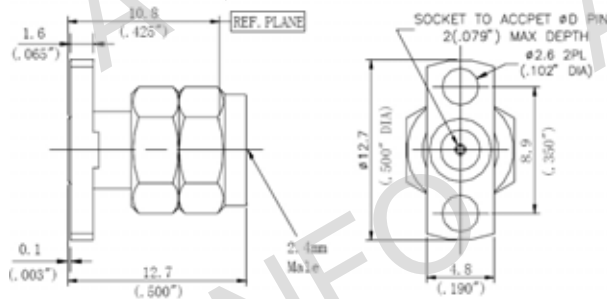
P/N	D
HPC4118-09	0.23mm/0.009
HPC4118-12	0.30mm/0.012
HPC4118-20	0.51mm/0.020



P/N	D
HPC4120-09	0.23mm/0.009
HPC4120-12	0.30mm/0.012
HPC4120-20	0.51mm/0.020

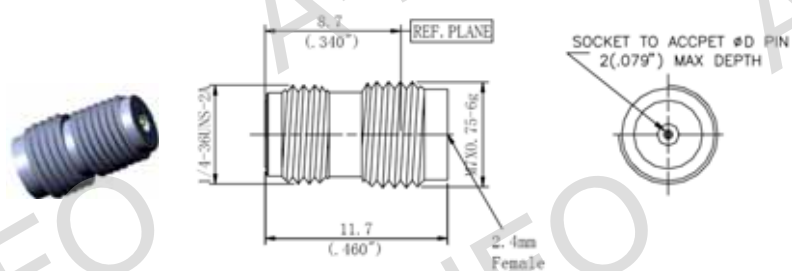


P/N	D
HPC4121-09	0.23mm/0.009
HPC4121-12	0.30mm/0.012
HPC4121-20	0.51mm/0.020

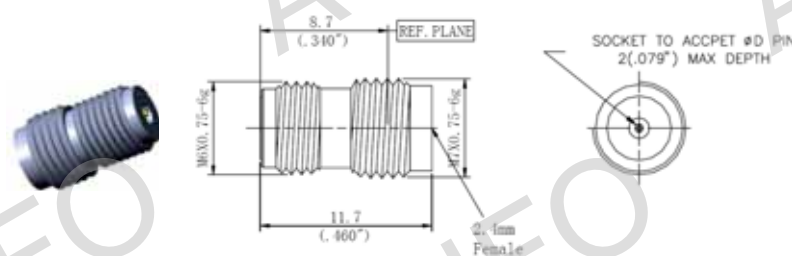


P/N	D
HPC4122-09	0.23mm/0.009
HPC4122-12	0.30mm/0.012
HPC4122-20	0.51mm/0.020

2.4mm Series Field Replaceable Thread-in Connectors

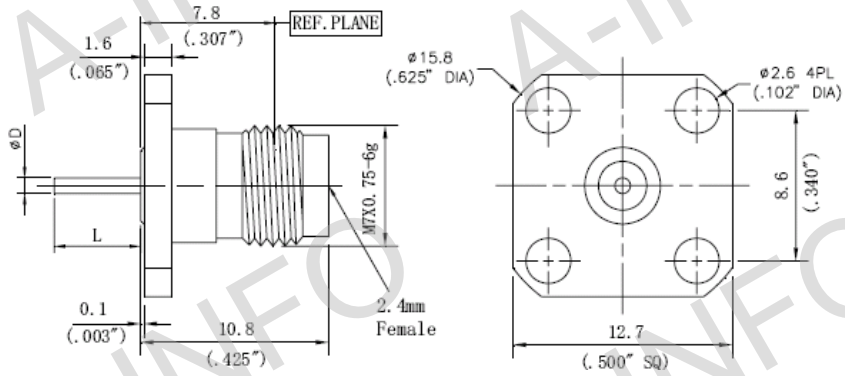


P/N	D
HPC4210-09	0.009inch/0.23mm
HPC4210-12	0.012inch/0.30mm
HPC4210-20	0.020inch/0.51mm

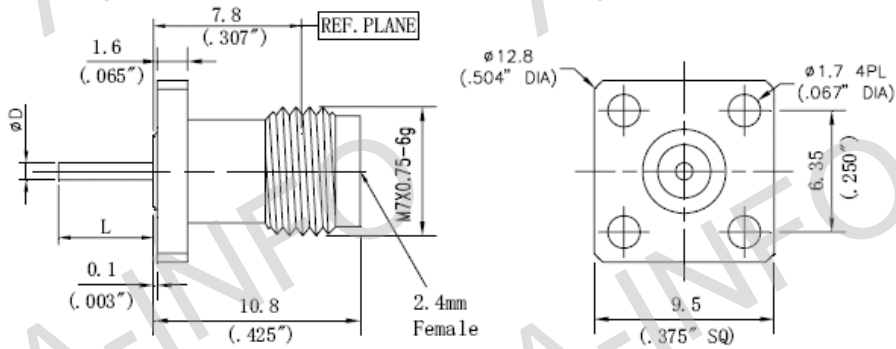


P/N	D
HPC4211-09	0.009inch/0.23mm
HPC4211-12	0.012inch/0.30mm
HPC4211-20	0.020inch/0.51mm

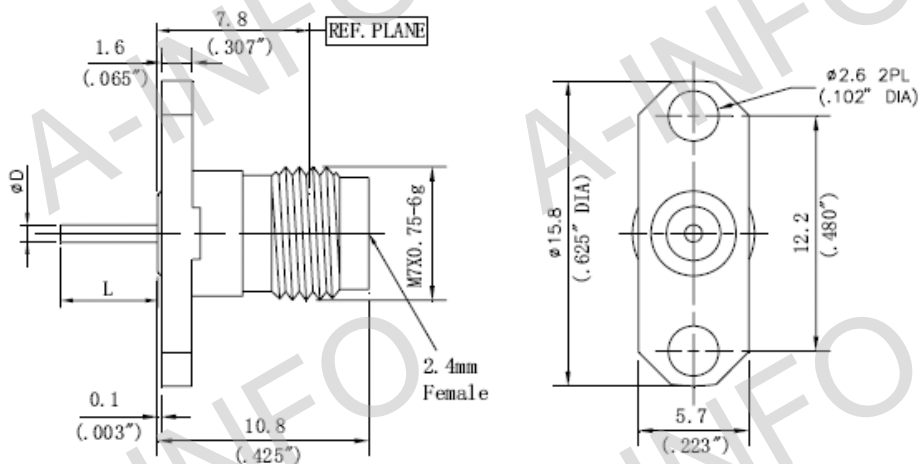
2.4mm Series Blunt Post Connectors



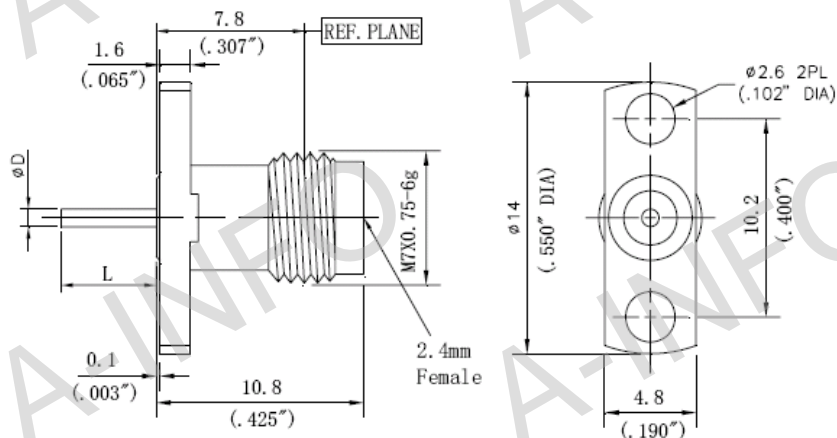
P/N	D	L
HPC4312-10	0.75mm/0.029inch	9mm/0.354inch
HPC4312-11	0.86mm/0.034inch	8.75mm/0.344inch
HPC4312-12	1mm/0.04inch	5.5mm/0.216inch
HPC4312-13	1.04mm/0.041inch	6.34mm/0.250inch
HPC4312-14	1.2mm/0.047inch	3mm/0.118inch



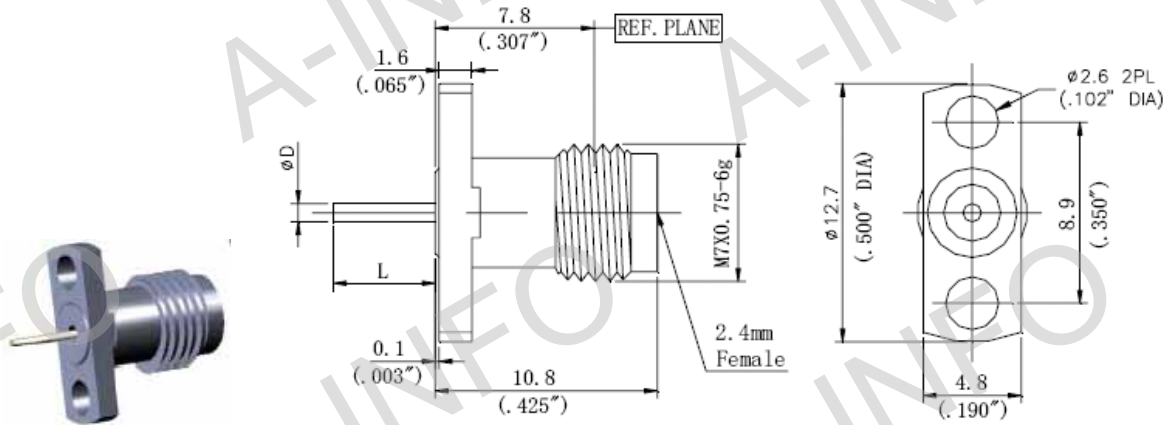
P/N	D	L
HPC4312-20	0.75mm/0.029inch	9mm/0.354inch
HPC4312-21	0.86mm/0.034inch	8.75mm/0.344inch
HPC4312-22	1mm/0.04inch	5.5mm/0.216inch
HPC4312-23	1.04mm/0.041inch	6.34mm/0.250inch
HPC4312-24	1.2mm/0.047inch	3mm/0.118inch



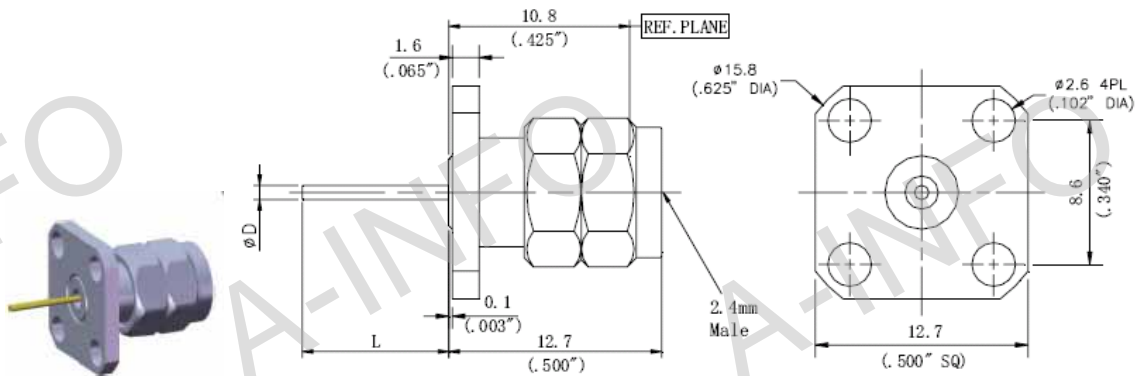
P/N	D	L
HPC4313-10	0.75mm/0.029inch	9mm/0.354inch
HPC4313-11	0.86mm/0.034inch	8.75mm/0.344inch
HPC4313-12	1mm/0.04inch	5.5mm/0.216inch
HPC4313-13	1.04mm/0.041inch	6.34mm/0.250inch
HPC4313-14	1.2mm/0.047inch	3mm/0.118inch



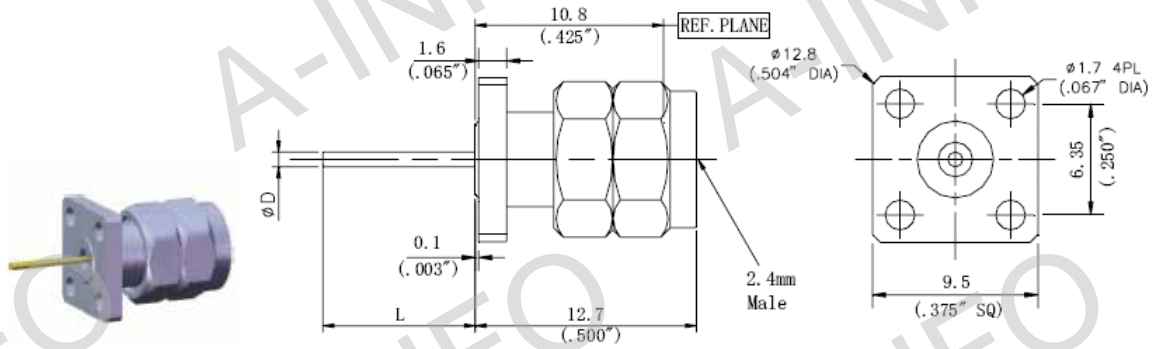
P/N	D	L
HPC4313-20	0.75mm/0.029inch	9mm/0.354inch
HPC4313-21	0.86mm/0.034inch	8.75mm/0.344inch
HPC4313-22	1mm/0.04inch	5.5mm/0.216inch
HPC4313-23	1.04mm/0.041inch	6.34mm/0.250inch
HPC4313-24	1.2mm/0.047inch	3mm/0.118inch



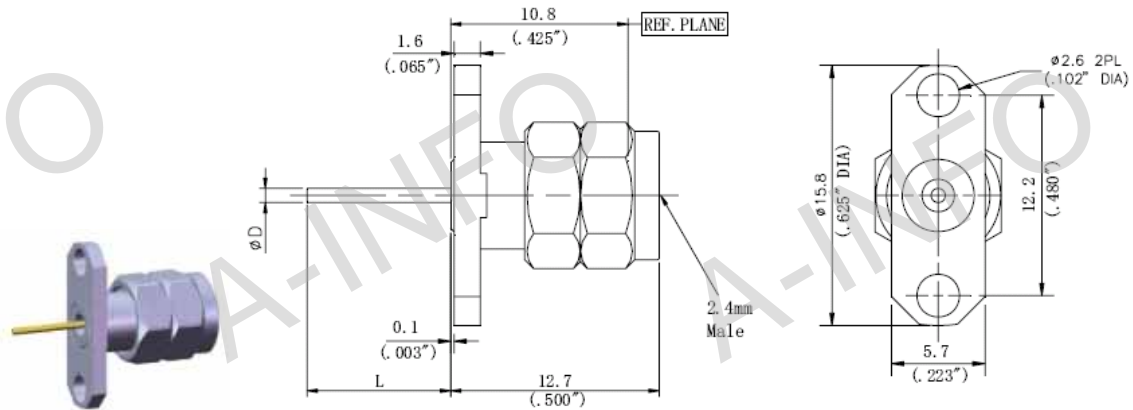
P/N	D	L
HPC4313-30	0.75mm/0.029inch	9mm/0.354inch
HPC4313-31	0.86mm/0.034inch	8.75mm/0.344inch
HPC4313-32	1mm/0.04inch	5.5mm/0.216inch
HPC4313-33	1.04mm/0.041inch	6.34mm/0.250inch
HPC4313-34	1.2mm/0.047inch	3mm/0.118inch



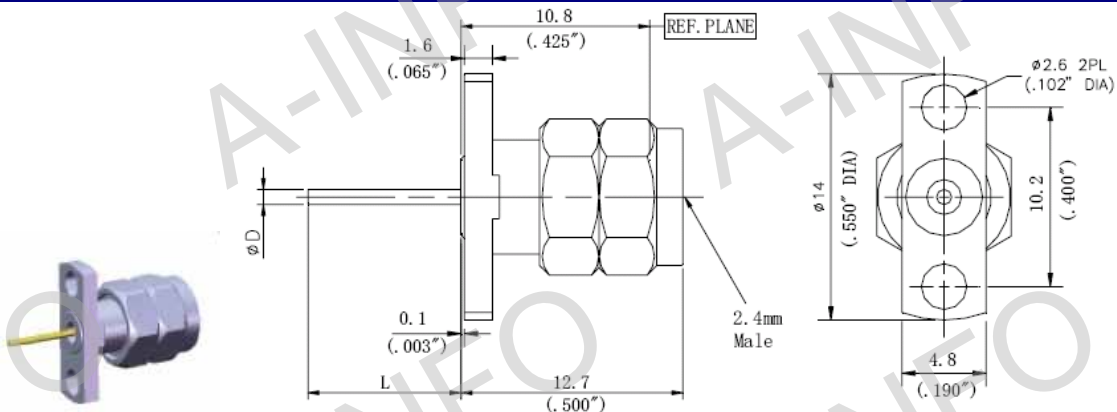
P/N	D	L
HPC4310-01	0.86mm/0.034inch	8.75mm/0.344inch



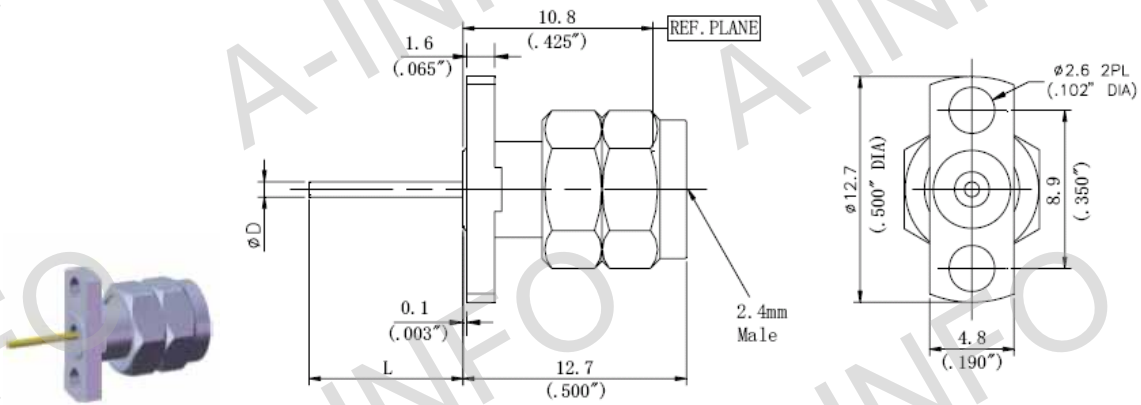
P/N	D	L
HPC4310-02	0.86mm/0.034inch	8.75mm/0.344inch



P/N	D	L
HPC4311-01	0.86mm/0.034inch	8.75mm/0.344inch

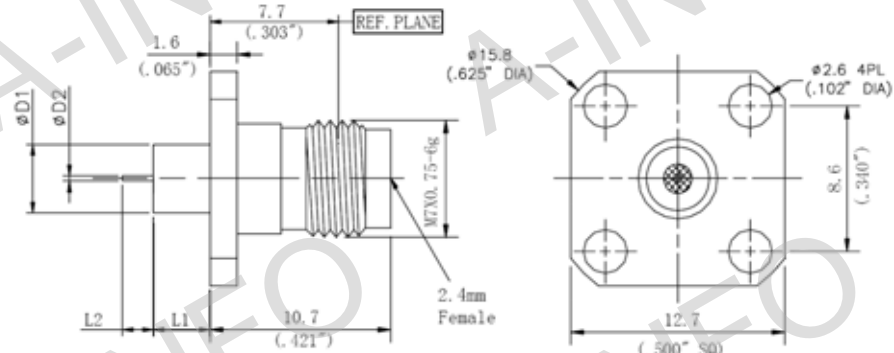


P/N	D	L
HPC4311-02	0.86mm/0.034inch	8.75mm/0.344inch

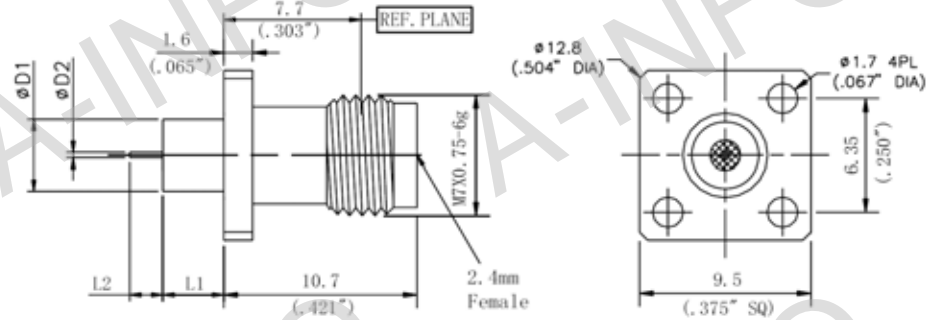


P/N	D	L
HPC4311-03	0.86mm/0.034inch	8.75mm/0.344inch

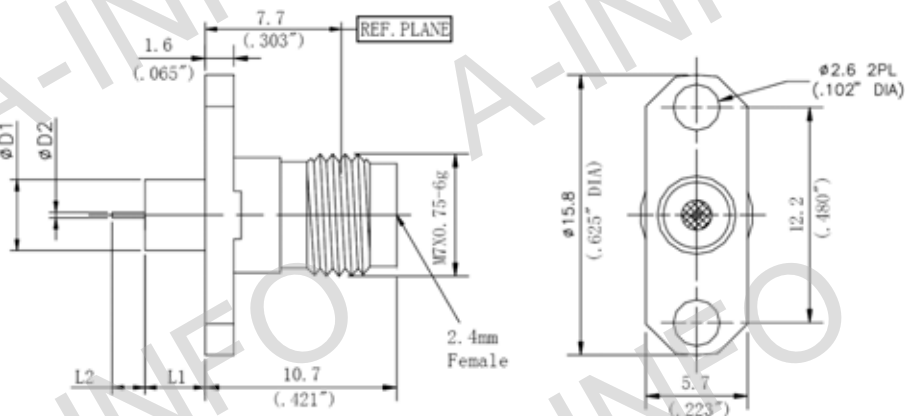
2.4mm Series Round Contact Connectors



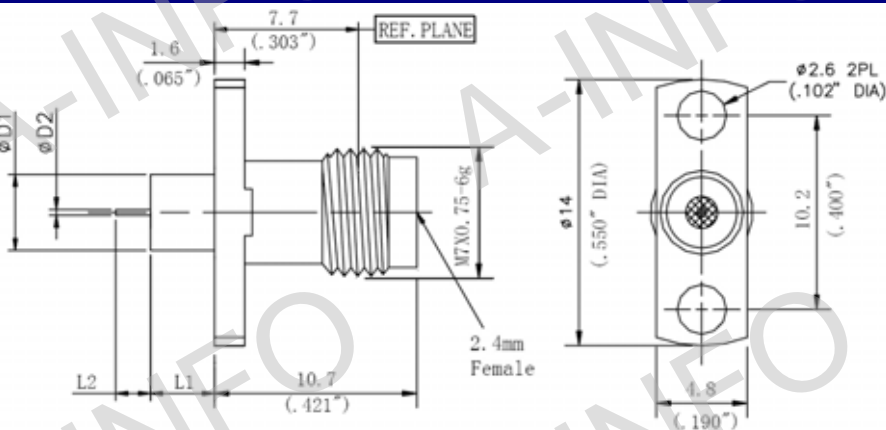
P/N	D1	D2	L1	L2
HPC4410-01	4mm/0.158inch	0.3mm/0.012inch	1.4mm/0.055inch	1.5mm/0.059inch
HPC4410-02	4mm/0.158inch	0.3mm/0.012inch	3mm/0.118inch	1.5mm/0.059inch



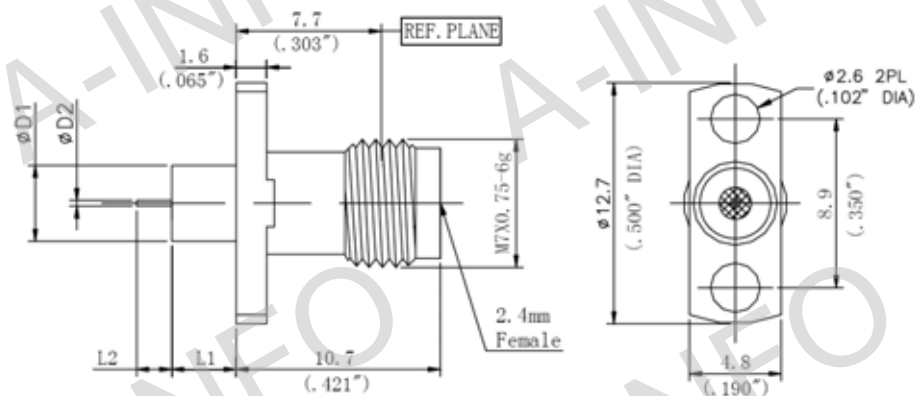
P/N	D1	D2	L1	L2
HPC4411-01	4mm/0.158inch	0.3mm/0.012inch	1.4mm/0.055inch	1.5mm/0.059inch
HPC4411-02	4mm/0.158inch	0.3mm/0.012inch	3mm/0.118inch	1.5mm/0.059inch



P/N	D1	D2	L1	L2
HPC4412-01	4mm/0.158inch	0.3mm/0.012inch	1.4mm/0.055inch	1.5mm/0.059inch
HPC4412-02	4mm/0.158inch	0.3mm/0.012inch	3mm/0.118inch	1.5mm/0.059inch

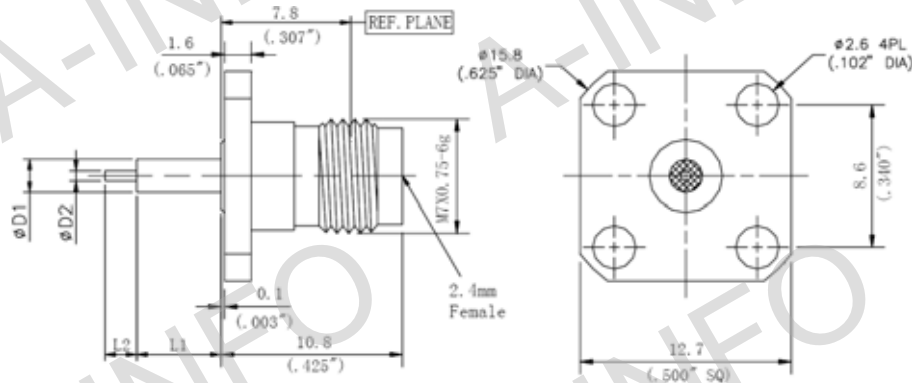


P/N	D1	D2	L1	L2
HPC4413-01	4mm/0.158inch	0.3mm/0.012inch	1.4mm/0.055inch	1.5mm/0.059inch
HPC4413-02	4mm/0.158inch	0.3mm/0.012inch	3mm/0.118inch	1.5mm/0.059inch

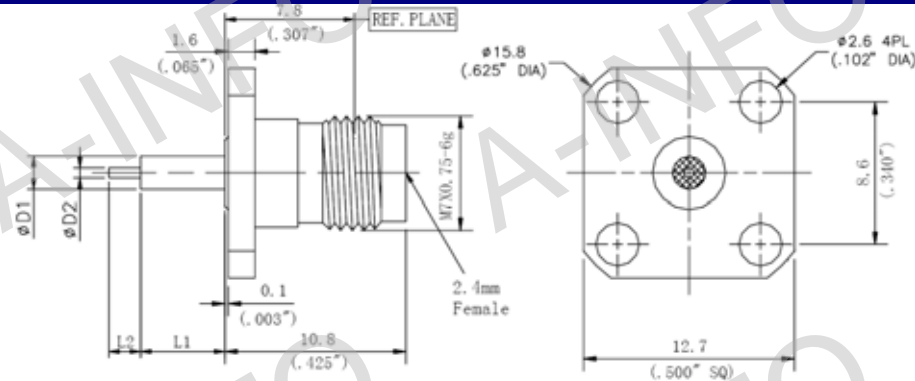


P/N	D1	D2	L1	L2
HPC4414-01	4mm/0.158inch	0.3mm/0.012inch	1.4mm/0.055inch	1.5mm/0.059inch
HPC4414-02	4mm/0.158inch	0.3mm/0.012inch	3mm/0.118inch	1.5mm/0.059inch

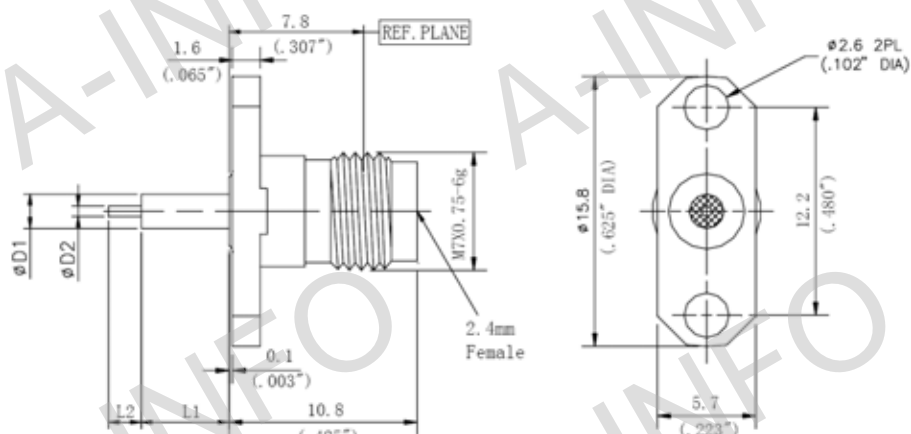
2.4mm Series Exposed Teflon Connectors



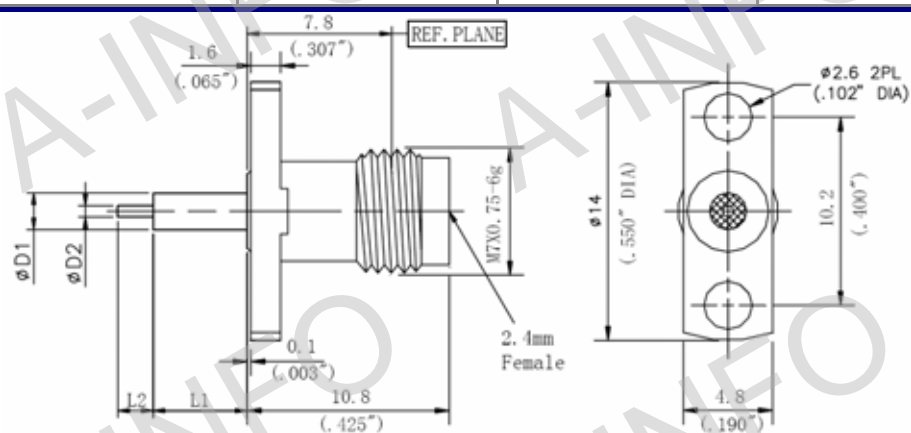
P/N	D1	D2	L1	L2
HPC4510-01	1.67mm/0.066inch	0.3mm/0.012inch	1.4mm/0.055inch	1.5mm/0.059inch
HPC4510-02	1.67mm/0.066inch	0.3mm/0.012inch	3mm/0.118inch	1.5mm/0.059inch
HPC4510-03	2mm/0.078inch	0.61mm/0.024inch	6.35mm/0.25inch	1.27mm/0.05inch



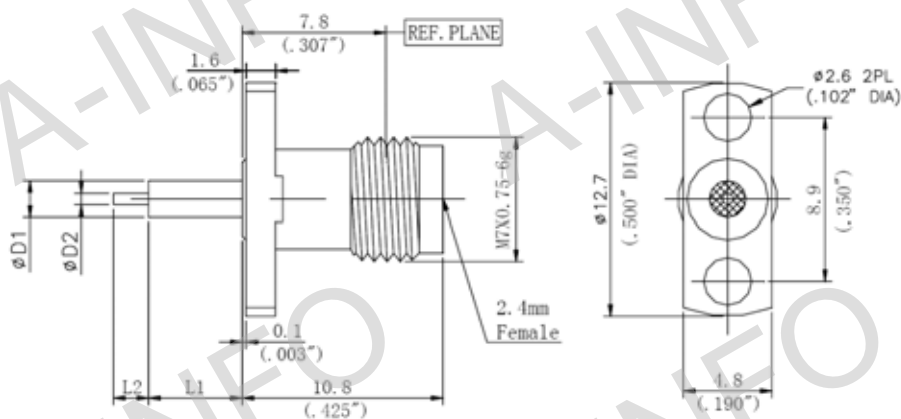
P/N	D1	D2	L1	L2
HPC4511-01	1.67mm/0.066inch	0.3mm/0.012inch	1.4mm/0.055inch	1.5mm/0.059inch
HPC4511-02	1.67mm/0.066inch	0.3mm/0.012inch	3mm/0.118inch	1.5mm/0.059inch
HPC4511-03	2mm/0.078inch	0.61mm/0.024inch	6.35mm/0.25inch	1.27mm/0.05inch



P/N	D1	D2	L1	L2
HPC4512-01	1.67mm/0.066inch	0.3mm/0.012inch	1.4mm/0.055inch	1.5mm/0.059inch
HPC4512-02	1.67mm/0.066inch	0.3mm/0.012inch	3mm/0.118inch	1.5mm/0.059inch
HPC4512-03	2mm/0.078inch	0.61mm/0.024inch	6.35mm/0.25inch	1.27mm/0.05inch



P/N	D1	D2	L1	L2
HPC4513-01	1.67mm/0.066inch	0.3mm/0.012inch	1.4mm/0.055inch	1.5mm/0.059inch
HPC4513-02	1.67mm/0.066inch	0.3mm/0.012inch	3mm/0.118inch	1.5mm/0.059inch
HPC4513-03	2mm/0.078inch	0.61mm/0.024inch	6.35mm/0.25inch	1.27mm/0.05inch



P/N	D1	D2	L1	L2
HPC4514-01	1.67mm/0.066inch	0.3mm/0.012inch	1.4mm/0.055inch	1.5mm/0.059inch
HPC4514-02	1.67mm/0.066inch	0.3mm/0.012inch	3mm/0.118inch	1.5mm/0.059inch
HPC4514-03	2mm/0.078inch	0.61mm/0.024inch	6.35mm/0.25inch	1.27mm/0.05inch

N Type Connector Series

Performance Features

Nominal Impedance: 50ohm

Frequency Range: DC-18GHz

VSWR: DC-18GHz.... 1.15:1 max

Durability: 500cycles

Operating Temperature: -55°C ~ +165°C

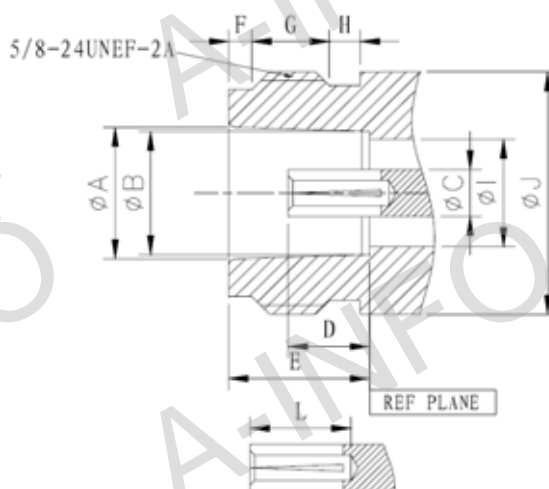
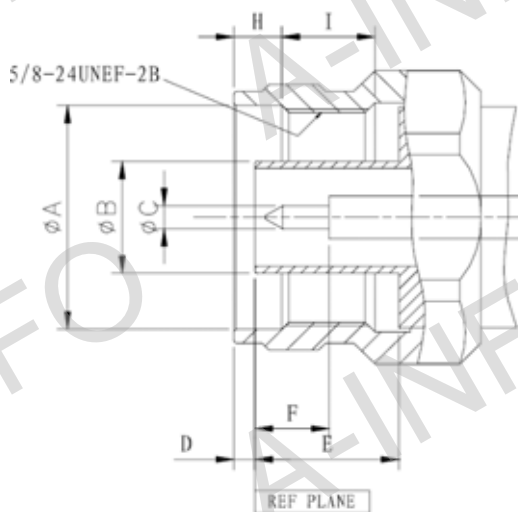
Materials/Finishes

Housing: Type 303 Stainless Steel-Polished & Passivated

Center Contact: Beryllium Copper Plated Gold (MIL-G-45204)

Insulators: PEI & PTFE

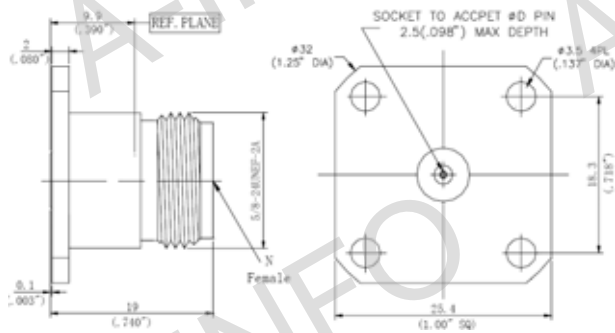
Interfaces: Per MIL-STD-348A



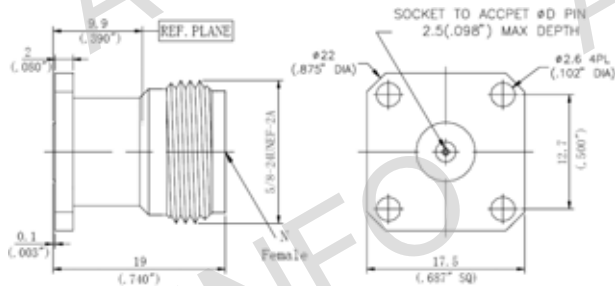
N Type Male				
	mm		Inch	
	Min	Max	Min	Max
A	16.00	—	0.630	—
B	7.98	8.04	0.3140	0.3165
C	1.64	1.67	0.0644	0.0656
D	0.28	1.30	0.011	0.051
E	9.19	9.45	0.362	0.372
F	5.28	5.36	0.208	0.211
G	3.03	3.05	0.1194	0.1200
H	4.01	4.27	0.158	0.168
I	4.50	5.00	0.177	0.197

N Type Female				
	mm		Inch	
	Min	Max	Min	Max
A	8.53	8.74	0.336	0.344
B	8.05	8.10	0.317	0.319
C	3.03	3.05	0.1194	0.1200
D	5.18	5.26	0.204	0.207
E	9.07	9.17	0.357	0.361
F	1.19	1.96	0.047	0.077
G	4.57	5.59	0.180	0.220
H	1.02	2.03	0.040	0.080
I	6.99	7.01	0.2753	0.2759
J	—	15.93	—	0.627

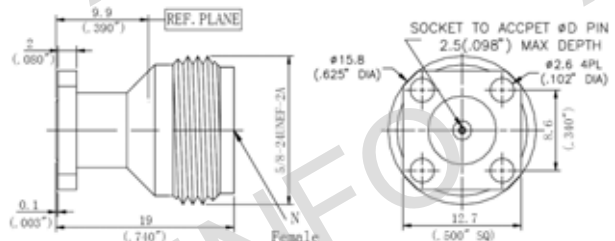
N Series Field Replaceable Flange Connectors



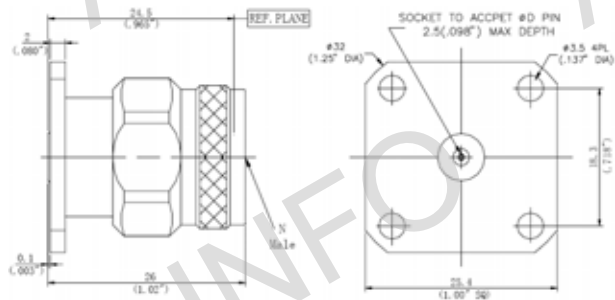
P/N	D
HPC5110-18	0.018inch/0.46mm
HPC5110-20	0.020inch/0.51mm
HPC5110-36	0.036inch/0.91mm



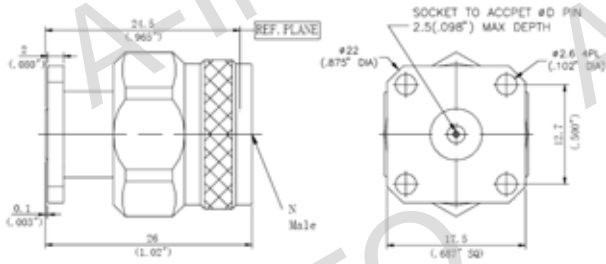
P/N	D
HPC5111-18	0.018inch/0.46mm
HPC5111-20	0.020inch/0.51mm
HPC5111-36	0.036inch/0.91mm



P/N	D
HPC5112-18	0.018inch/0.46mm
HPC5112-20	0.020inch/0.51mm
HPC5112-36	0.036inch/0.91mm

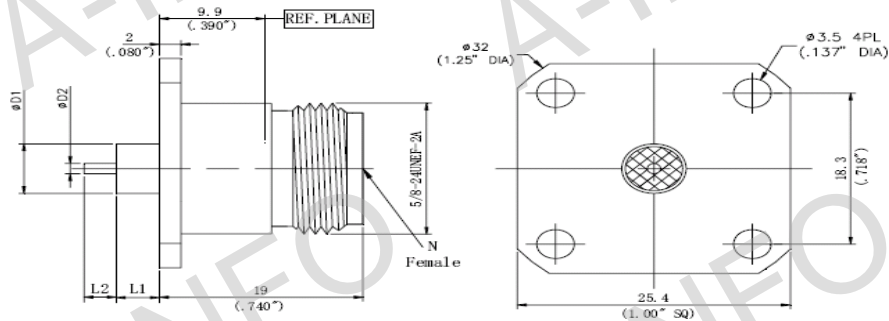


P/N	D
HPC5113-18	0.018inch/0.46mm
HPC5113-20	0.020inch/0.51mm
HPC5113-36	0.036inch/0.91mm

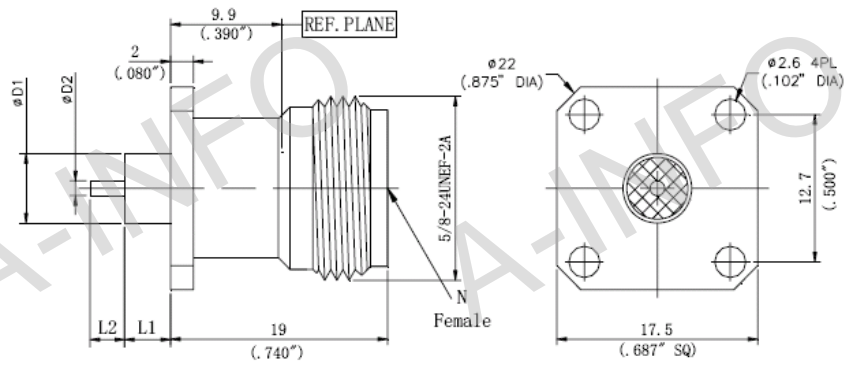


P/N	D
HPC5114-18	0.018inch/0.46mm
HPC5114-20	0.020inch/0.51mm
HPC5114-36	0.036inch/0.91mm

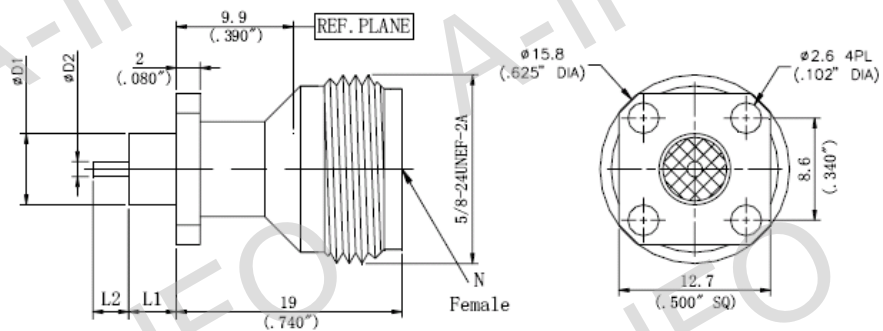
N Series Round Contact Connectors



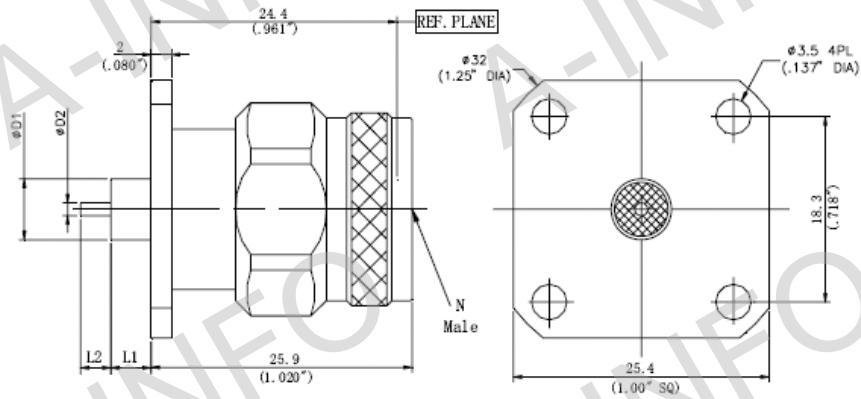
P/N	D1	D2	L1	L2
HPC5210-01	6mm/0.236"	1.27mm/0.05"	4mm/0.158"	3mm/0.118"



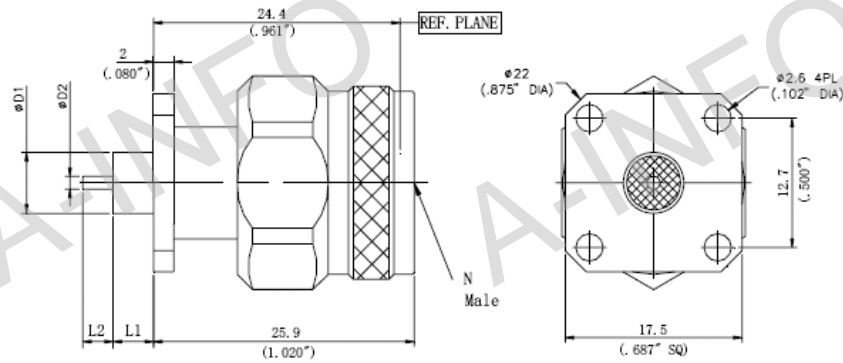
P/N	D1	D2	L1	L2
HPC5210-02	6mm/0.236"	1.27mm/0.05"	4mm/0.158"	3mm/0.118"



P/N	D1	D2	L1	L2
HPC5210-03	6mm/0.236"	1.27mm/0.05"	4mm/0.158"	3mm/0.118"

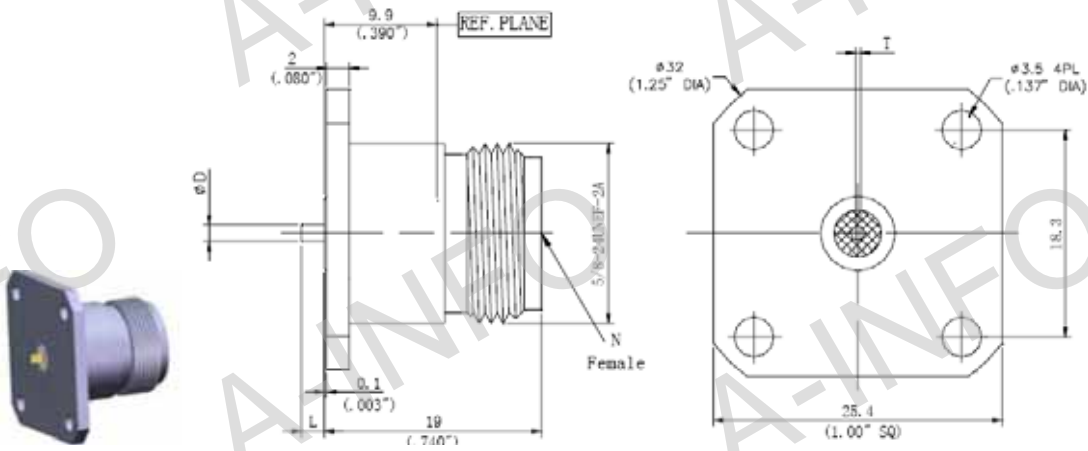


P/N	D1	D2	L1	L2
HPC5210-05	6mm/0.236"	1.27mm/0.05"	4mm/0.158"	3mm/0.118"

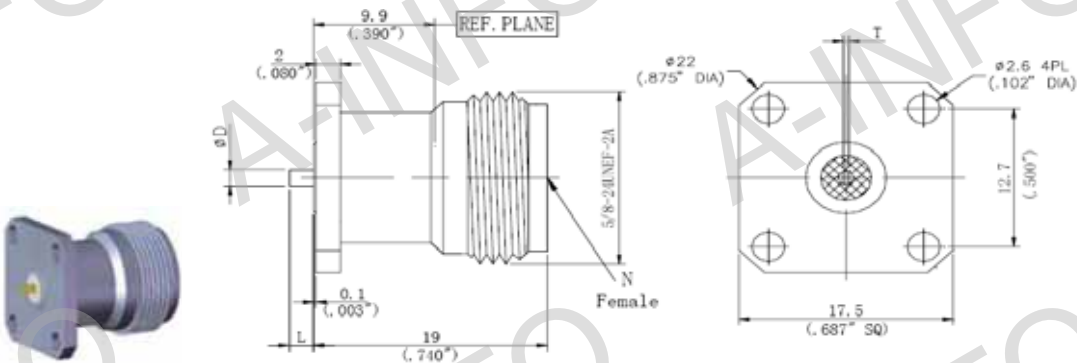


P/N	D1	D2	L1	L2
HPC5210-06	6mm/0.236"	1.27mm/0.05"	4mm/0.158"	3mm/0.118"

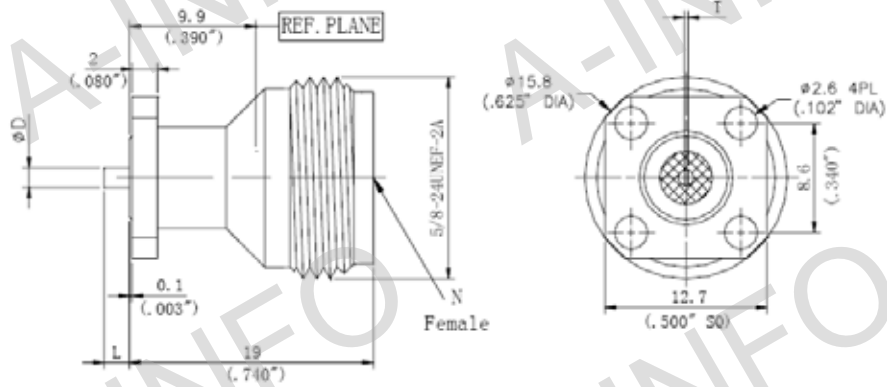
N Series Tab Contact Connectors



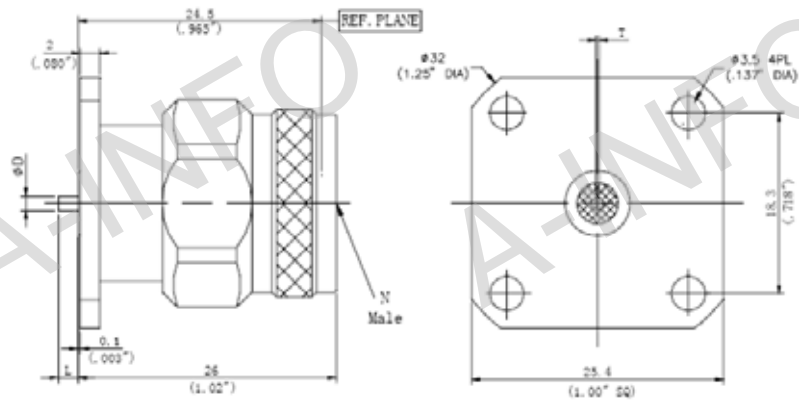
P/N	D	L	T
HPC5310-01	1.5mm/0.059	2mm/0.079"	0.2mm/0.008"



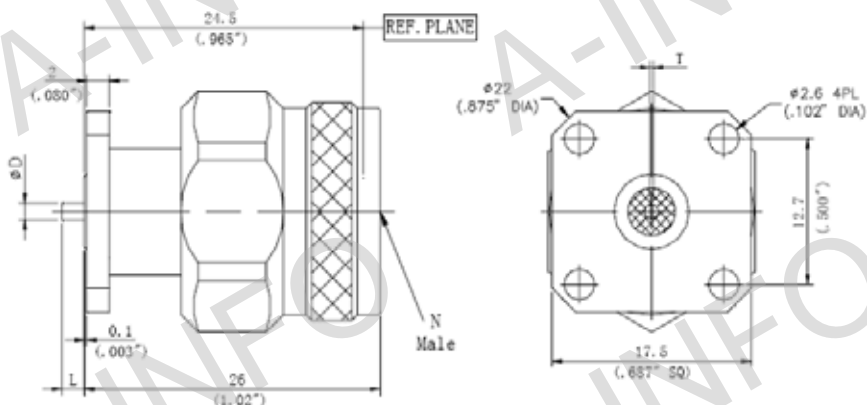
P/N	D	L	T
HPC5311-01	1.5mm/0.059	2mm/0.079"	0.2mm/0.008"



P/N	D	L	T
HPC5312-01	1.5mm/0.059	2mm/0.079"	0.2mm/0.008"

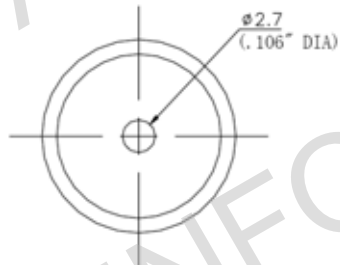
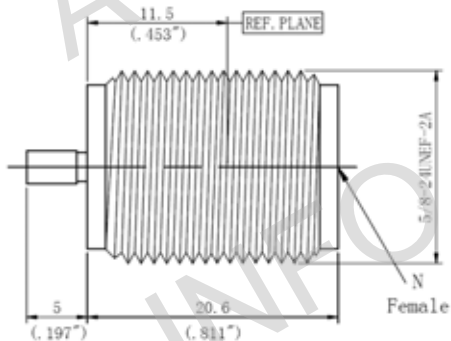


P/N	D	L	T
HPC5313-01	1.5mm/0.059	2mm/0.079"	0.2mm/0.008"



P/N	D	L	T
HPC5314-01	1.5mm/0.059	2mm/0.079"	0.2mm/0.008"

N Series Scripline Receptacle Connectors



P/N

HPC5410-01

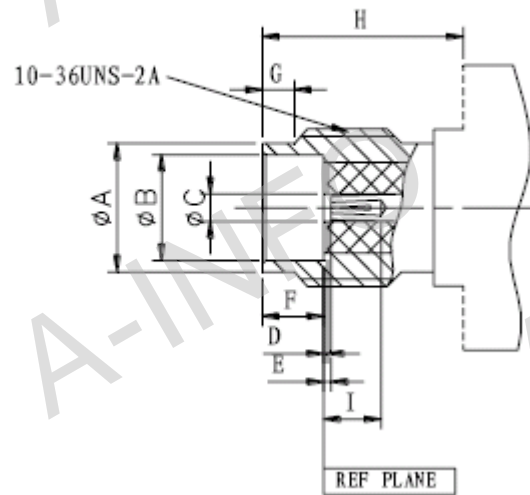
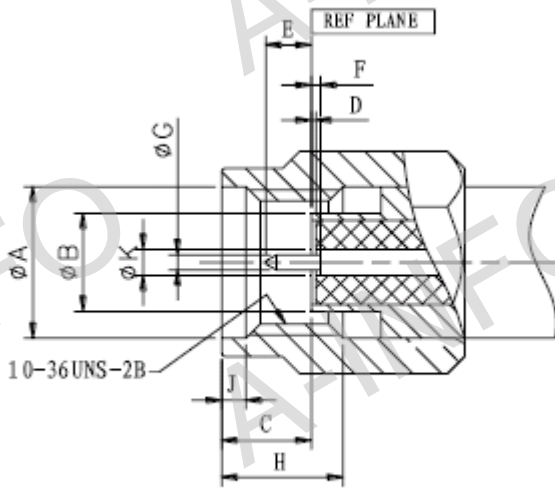
SSMA Connector Series

Performance Features

Nominal Impedance: 50ohm
 Frequency Range: DC-40GHz
 VSWR: DC-40GHz.... 1.20:1 max
 Durability: 500 cycles
 Operating Temperature: -55°C ~ +165°C

Materials/Finishes

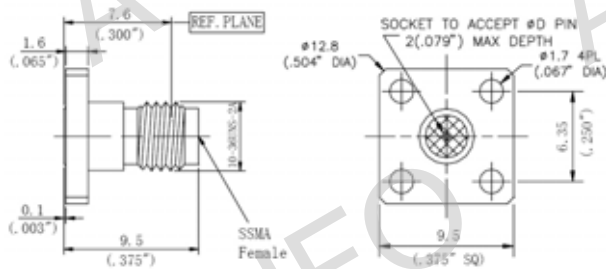
Housing: Type 303 Stainless steel-Polished & Passivated
 Center Contact: Beryllium Copper Plated Gold (MIL-G-45204)
 Insulators: PEI & PTFE
 Interfaces: Per MIL-STD-348A



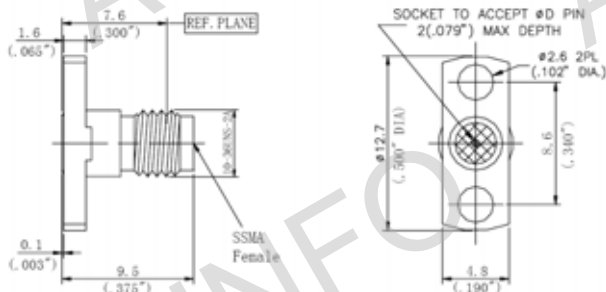
SSMA Male				
	mm		Inch	
	Min	Max	Min	Max
A	4.98	5.13	0.196	0.202
B	3.15	3.22	0.124	0.1268
C	2.54	3.38	0.100	0.133
D	0.00	0.25	0.000	0.010
E	1.27	1.65	0.050	0.065
F	0.00	0.25	0.000	0.010
G	0.50	0.53	0.0195	0.0208
H	3.30	-	0.130	-
I	0.38	1.14	0.015	0.045
J	0.85	0.88	0.0335	0.0348

SSMA Female				
	mm		Inch	
	Min	Max	Min	Max
A	3.89	4.06	0.153	0.160
B	3.23	3.30	0.127	0.130
C	0.851	0.884	0.0335	0.0348
D	0.00	0.25	0.000	0.010
E	0.00	0.25	0.000	0.010
F	1.90	1.96	0.075	0.077
G	0.51	1.02	0.020	0.040
H	5.84	-	0.230	-
I	1.91	-	0.075	-

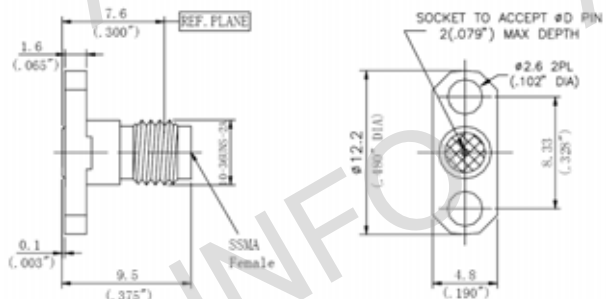
SSMA Series Field Replaceable Flange Connectors



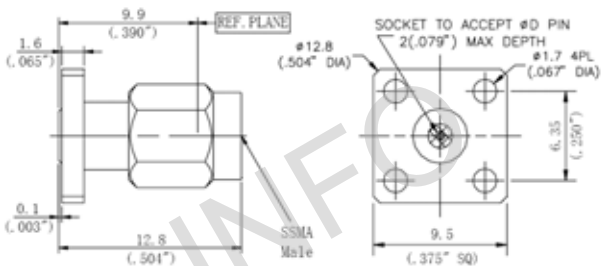
P/N	D
HPC6111-09	0.009inch/0.23mm
HPC6111-12	0.012inch/0.30mm
HPC6111-15	0.015inch/0.38mm
HPC6111-18	0.018inch/0.46mm
HPC6111-20	0.020inch/0.51mm



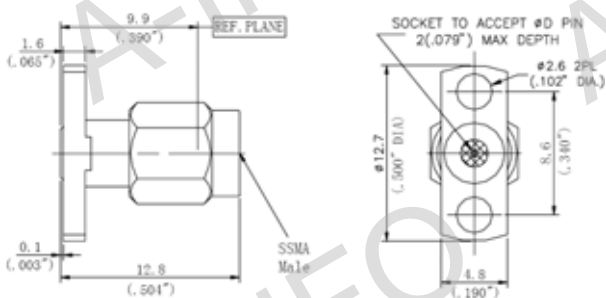
P/N	D
HPC6116-09	0.009inch/0.23mm
HPC6116-12	0.012inch/0.30mm
HPC6116-15	0.015inch/0.38mm
HPC6116-18	0.018inch/0.46mm
HPC6116-20	0.020inch/0.51mm



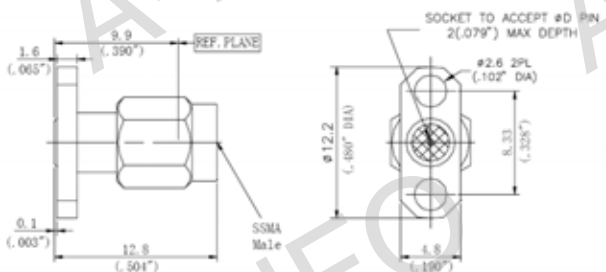
P/N	D
HPC6117-09	0.009inch/0.23mm
HPC6117-12	0.012inch/0.30mm
HPC6117-15	0.015inch/0.38mm
HPC6117-18	0.018inch/0.46mm
HPC6117-20	0.020inch/0.51mm



P/N	D
HPC6118-09	0.009inch/0.23mm
HPC6118-12	0.012inch/0.30mm
HPC6118-15	0.015inch/0.38mm
HPC6118-18	0.018inch/0.46mm
HPC6118-20	0.020inch/0.51mm

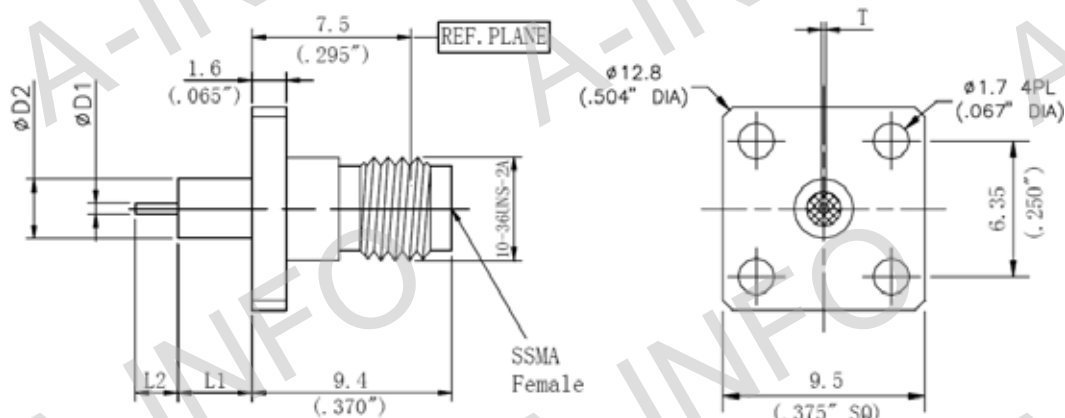


P/N	D
HPC6119-09	0.009inch/0.23mm
HPC6119-12	0.012inch/0.30mm
HPC6119-15	0.015inch/0.38mm
HPC6119-18	0.018inch/0.46mm
HPC6119-20	0.020inch/0.51mm

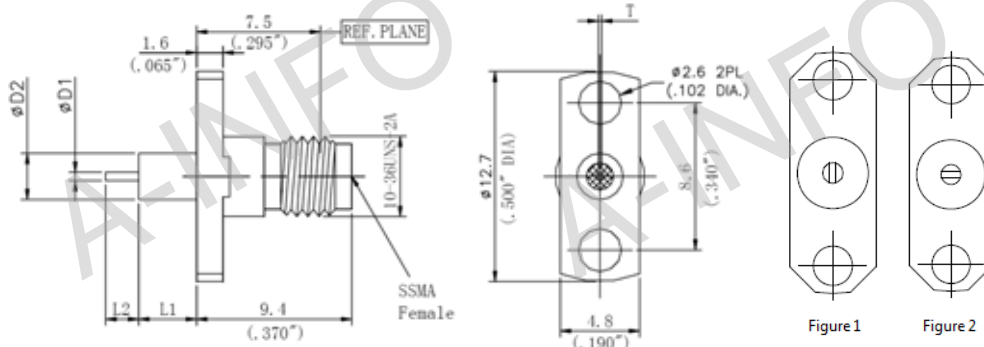


P/N	D
HPC6120-09	0.009inch/0.23mm
HPC6120-12	0.012inch/0.30mm
HPC6120-15	0.015inch/0.38mm
HPC6120-18	0.018inch/0.46mm
HPC6120-20	0.020inch/0.51mm

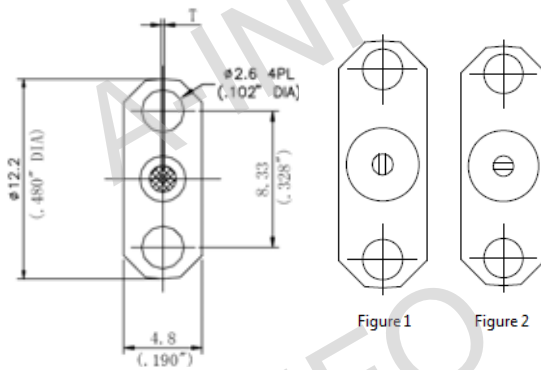
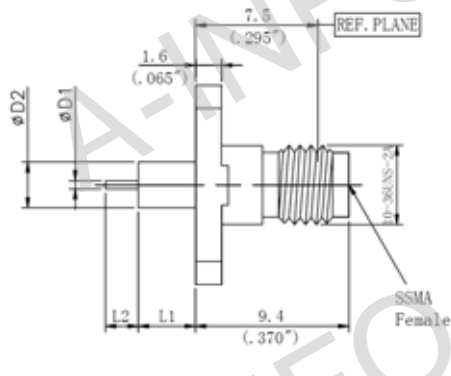
SSMA Series Round Contact Connectors



P/N	D1	D2	L1	L2	T
HPC6210-01	0.6mm/0.024inch	2.8mm/0.11inch	3.1mm/0.122inch	2mm/0.08inch	0.2mm/0.008



P/N	D1	D2	L1	L2	T	Fig
HPC6211-01	0.6mm/0.024inch	2.8mm/0.11inch	3.1mm/0.122inch	2mm/0.08inch	0.2mm/0.008	1
HPC6211-02	0.6mm/0.024inch	2.8mm/0.11inch	3.1mm/0.122inch	2mm/0.08inch	0.2mm/0.008	2



P/N	D1	D2	L1	L2	T	Fig
HPC6212-01	0.6mm/0.024inch	2.8mm/0.11inch	3.1mm/0.122inch	2mm/0.08inch	0.2mm/0.008	1
HPC6212-02	0.6mm/0.024inch	2.8mm/0.11inch	3.1mm/0.122inch	2mm/0.08inch	0.2mm/0.008	2

1.85mm Connector Series

Performance Features

Nominal Impedance: 50ohm

Frequency Range: DC-65GHz

VSWR: DC-65GHz.... 1.25:1 max

Durability: 500 cycles

Operating Temperature: -55°C ~ +165°C

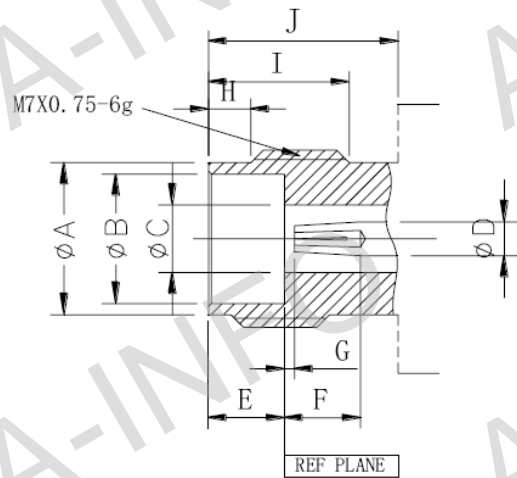
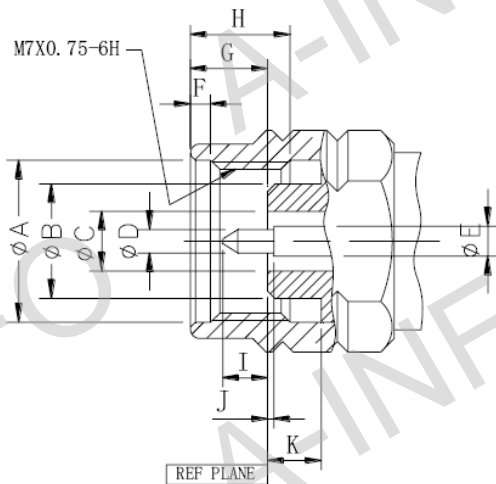
Materials/Finishes

Housing: Type 303 Stainless steel-Polished & Passivated

Center Contact: Beryllium Copper, Plated Gold (MIL-G-45204)

Insulators: PEI

Interfaces: IEC-61169



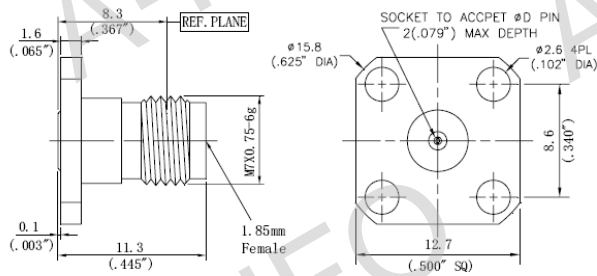
1.85mm Male

	mm		Inch	
	Min	Max	Min	Max
A	7.01	7.11	0.276	0.280
B	4.72	4.75	0.186	0.187
C	1.84	1.86	0.07233	0.0733
D	0.50	0.52	0.0196	0.0206
E	0.79	0.82	0.0311	0.0321
F	0.51	0.76	0.020	0.030
G	1.85	2.45	0.073	0.096
H	4.37	4.62	0.172	0.182
I	1.35	1.45	0.053	0.057
J	--	0.08	--	0.003
K	3.38	3.48	0.133	0.137

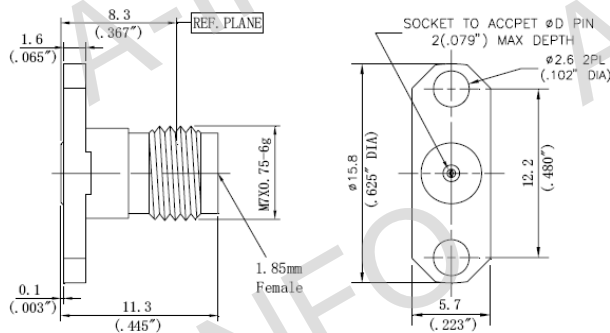
1.85mm Female

	mm		Inch	
	Min	Max	Min	Max
A	5.79	5.89	0.228	0.232
B	4.77	4.80	0.1878	0.1888
C	1.84	1.86	0.7233	0.07333
D	0.79	0.82	0.0311	0.0321
E	3.00	3.10	0.118	0.122
F	2.64	--	0.104	--
G	--	0.08	--	0.003
H	1.37	1.63	0.054	0.064
I	4.80	5.05	0.189	0.199
J	6	--	0.236	--

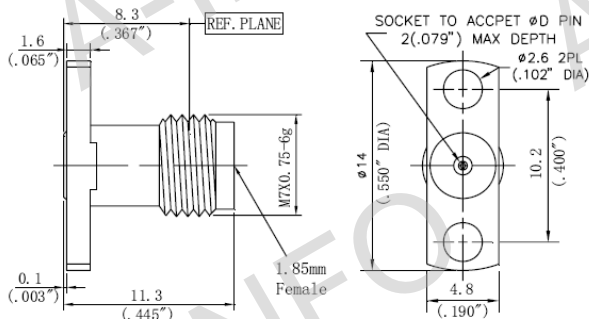
1.85mm Series Field Replaceable Flange Connectors



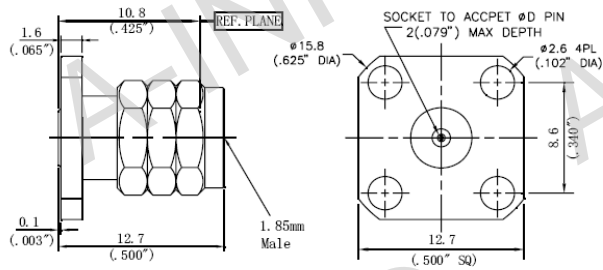
P/N	D
HPC7110-09	0.009inch/0.23mm
HPC7110-12	0.012inch/0.30mm



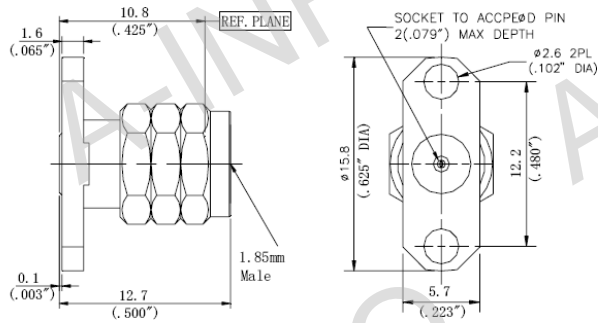
P/N	D
HPC7111-09	0.009inch/0.23mm
HPC7111-12	0.012inch/0.30mm



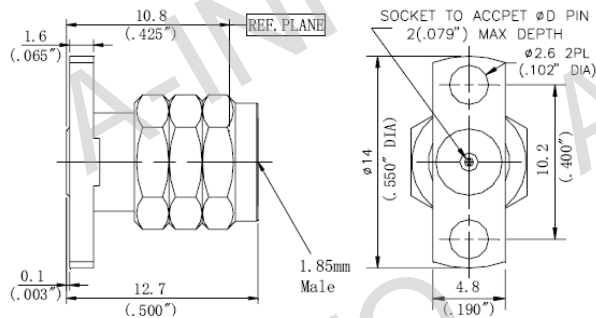
P/N	D
HPC7112-09	0.009inch/0.23mm
HPC7112-12	0.012inch/0.30mm



P/N	D
HPC7113-09	0.009inch/0.23mm
HPC7113-12	0.012inch/0.30mm

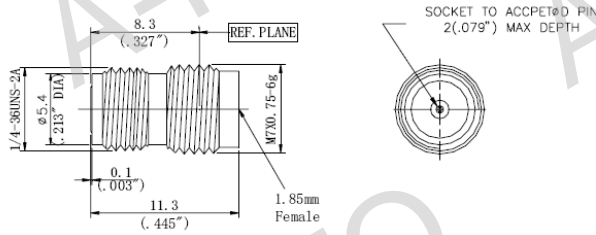


P/N	D
HPC7114-09	0.009inch/0.23mm
HPC7114-12	0.012inch/0.30mm

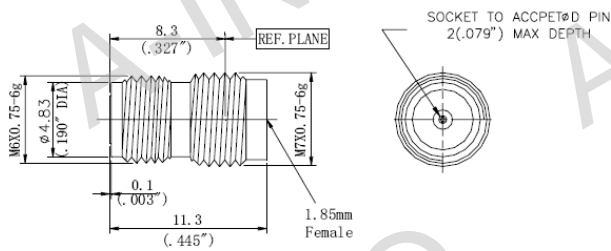


P/N	D
HPC7115-09	0.009inch/0.23mm
HPC7115-12	0.012inch/0.30mm

1.85mm Series Remove Screw Thread Connector



P/N	D
HPC7210-09	0.009inch/0.23mm
HPC7210-12	0.012inch/0.30mm



P/N	D
HPC7211-09	0.009inch/0.23mm
HPC7211-12	0.012inch/0.30mm

RF Coaxial Adapters



N Type In-Series Adapters

Performance Features

Nominal Impedance: 50ohm

Frequency Range: DC-18GHz

Durability: 500cycles

Operating Temperature: -55°C ~ +165°C

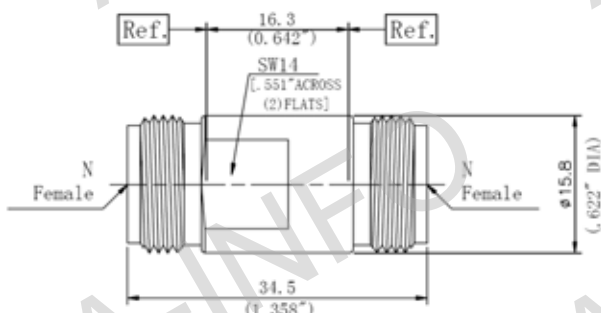
Materials/Finishes

Housing: Type 303 Stainless Steel-Polished & Passivated

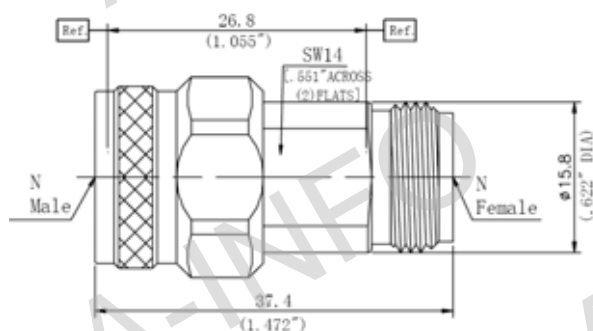
Center Contact: Beryllium Copper Plated Gold (MIL-G-45204)

Insulators: PEI

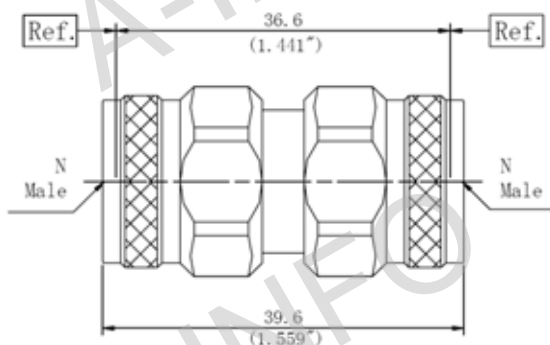
Interfaces: MIL-STD-348A



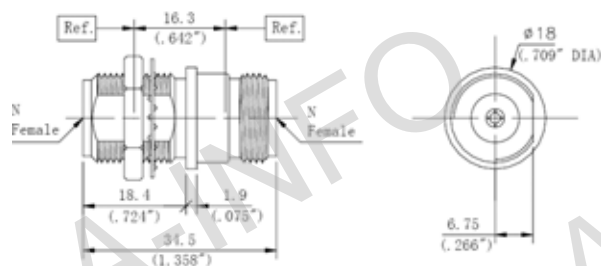
P/N	HPA111-01
Description	N/Female-N/Female
VSWR	DC-18GHz...1.15:1 max



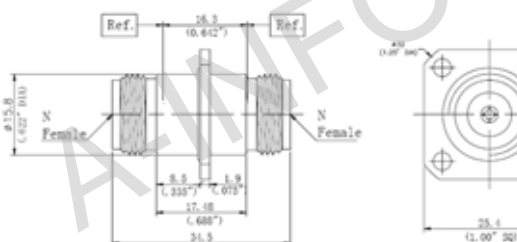
P/N	HPA111-02
Description	N/Male-N/Female
VSWR	DC-18GHz...1.15:1 max



P/N	HPA111-03
Description	N/Male-N/Male
VSWR	DC-18GHz...1.15:1 max



P/N	HPA111-04
Description	N/Female-N/Female
VSWR	DC-18GHz...1.15:1 max



P/N	HPA111-05
Description	N/Female-N/Female
VSWR	DC-18GHz...1.15:1 max

N Type In-Series Right Angle Adapters

Performance Features

Nominal Impedance: 50ohm

Frequency Range: DC-18GHz

Durability: 500cycles

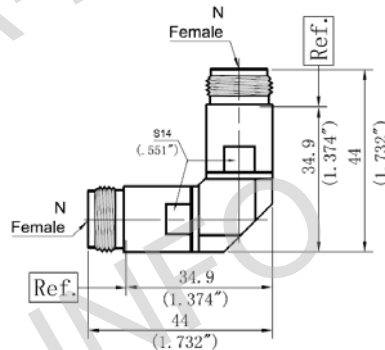
Operating Temperature: -55°C ~ +165°C

Materials/Finishes

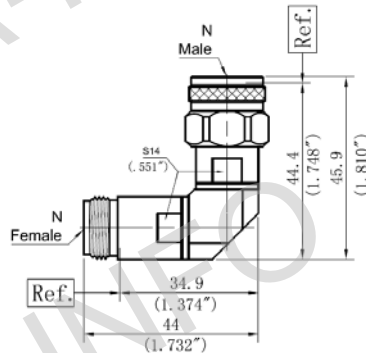
Housing: Type 303 Stainless Steel-Polished & Passivated

Center Contact: Beryllium Copper Plated Gold (MIL-G-45204)

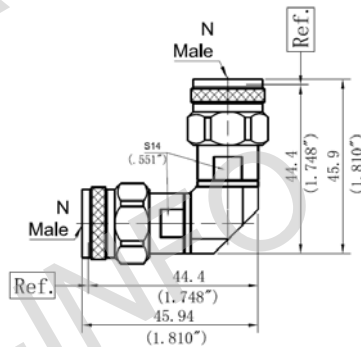
Insulators: PEI



P/N	HPA111-W01
Description	N/Female-N/Female
VSWR	DC-18GHz...1.25:1 max



P/N	HPA111-W02
Description	N/Male-N/Female
VSWR	DC-18GHz...1.25:1 max



P/N	HPA111-W03
Description	N/Male-N/Male
VSWR	DC-18GHz...1.25:1 max

SMA In-Series Adapters

Performance Features

Nominal Impedance: 50ohm

Frequency Range: DC-27GHz

Durability: 500cycles

Operating Temperature: -55°C ~ +165°C

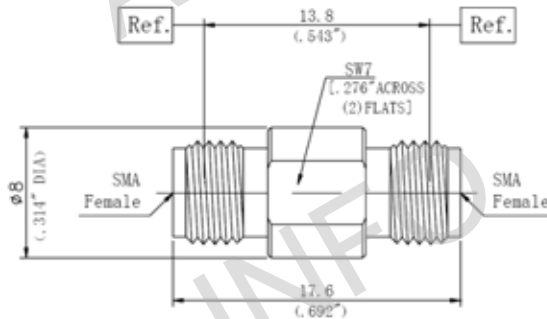
Materials/Finishes

Housing: Type 303 Stainless Steel- Polished & Passivated

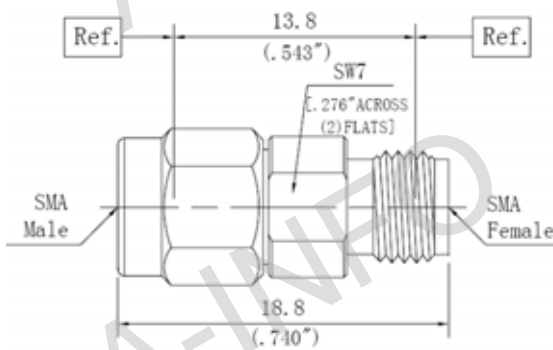
Center Contact: Beryllium Copper Plated Gold
(MIL-G-45204)

Insulators: PEI & PTFE

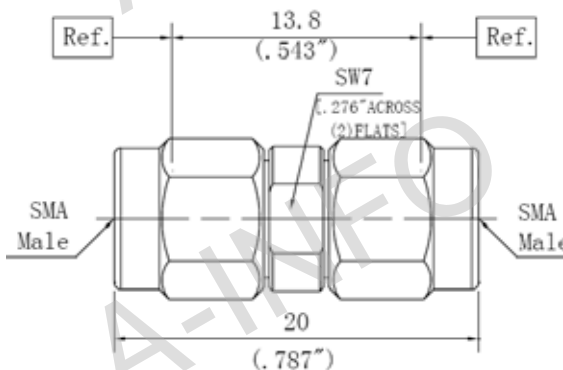
Interfaces: MIL-STD-348A



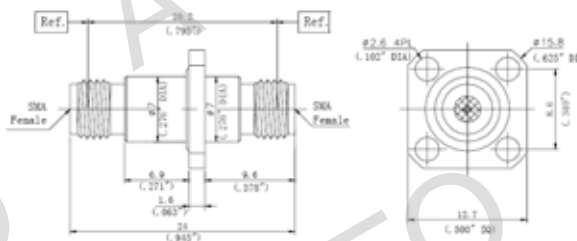
P/N	HPA112-01
Description	SMA/Female-SMA/Female
VSWR	DC-27GHz...1.15:1 max



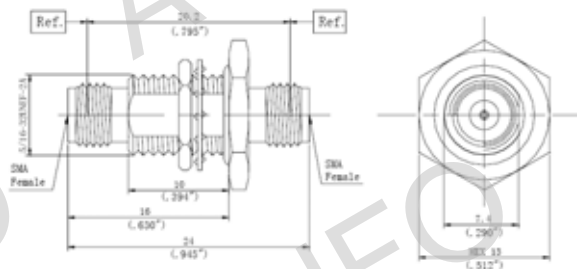
P/N	HPA112-02
Description	SMA/Male-SMA/Female
VSWR	DC-27GHz...1.15:1 max



P/N	HPA112-03
Description	SMA/Male-SMA/Male
VSWR	DC-27GHz...1.15:1 max



P/N	HPA112-04
Description	SMA/Female-SMA/Female
VSWR	DC-27GHz...1.15:1 max



P/N	HPA112-05
Description	SMA/Female-SMA/Female
VSWR	DC-27GHz...1.15:1 max

SMA In-Series Right Angle Adapters

Performance Features

Nominal Impedance: 50ohm

Frequency Range: DC-27GHz

Durability: 500cycles

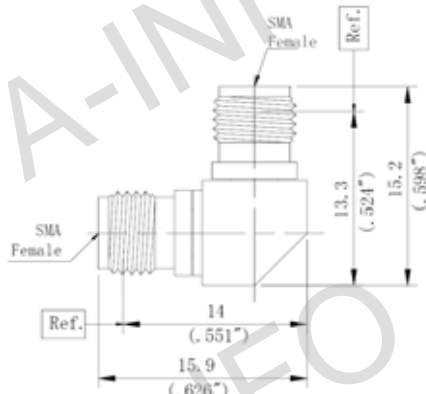
Operating Temperature: -55°C ~ +165°C

Materials/Finishes

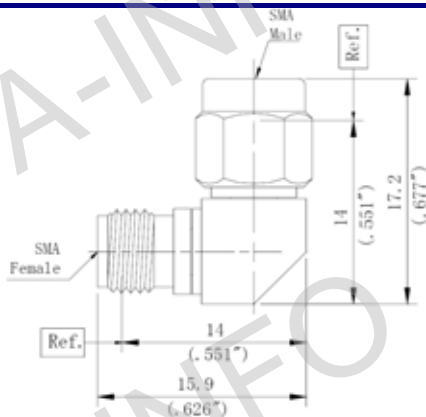
Housing: Type 303 Stainless Steel- Polished & Passivated

Center Contact: Beryllium Copper Plated Gold

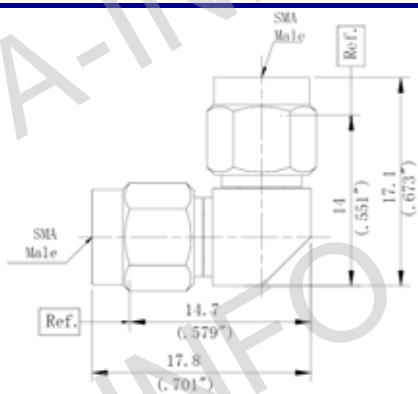
Insulators: PTFE



P/N	HPA112-W01
Description	SMA/Female-SMA/Female
VSWR	DC-27GHz...1.25:1 max



P/N	HPA112-W02
Description	SMA/Male-SMA/Female
VSWR	DC-27GHz...1.25:1 max



P/N	HPA112-W03
Description	SMA/Male-SMA/Male
VSWR	DC-27GHz...1.25:1 max

3.5mm In-Series Adapters

Performance Features

Nominal Impedance: 50ohm

Frequency Range: DC-33GHz

Durability: 500cycles

Operating Temperature: -55°C ~ +165°C

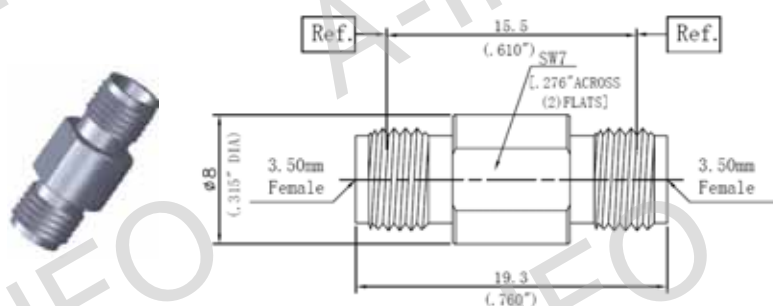
Materials/Finishes

Housing: Type 303 Stainless Steel – Polished & Passivated

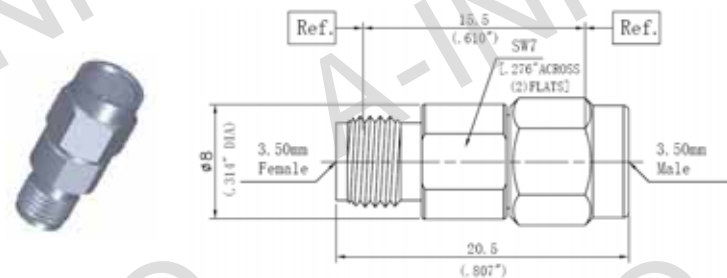
Center Contact: Beryllium Copper Plated Gold (MIL-G-45204)

Insulators: PEI

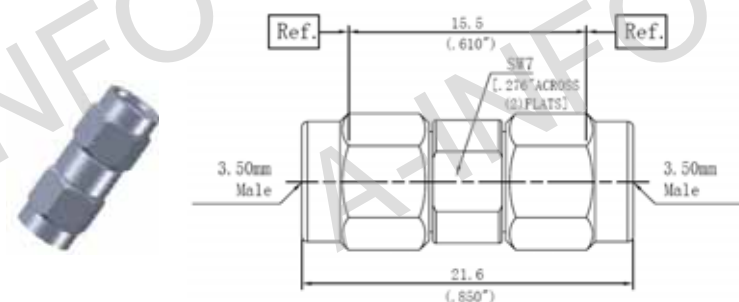
Interfaces: IEC-60169



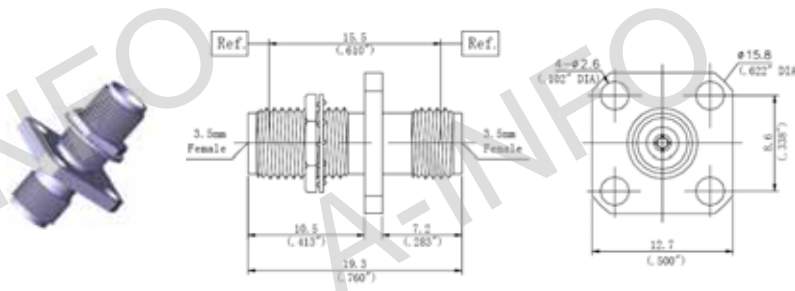
P/N	HPA113-01
Description	3.5mm/Female-3.5mm/Female
VSWR	DC-33GHz...1.15:1 max



P/N	HPA113-02
Description	3.5mm/Female-3.5mm/Male
VSWR	DC-33GHz...1.15:1 max



P/N	HPA113-03
Description	3.5mm/Male-3.5mm/Male
VSWR	DC-33GHz...1.15:1 max



P/N	HPA113-04
Description	3.5mm/Female-3.5mm/Female
VSWR	DC-33GHz...1.15:1 max

3.5mm In-Series Right Angle Adapters

Performance Features

Nominal Impedance: 50ohm

Frequency Range: DC-33GHz

Durability: 500cycles

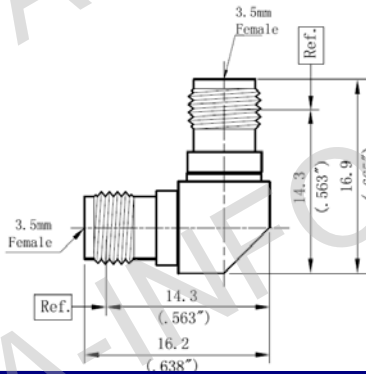
Operating Temperature: -55°C ~ +165°C

Materials/Finishes

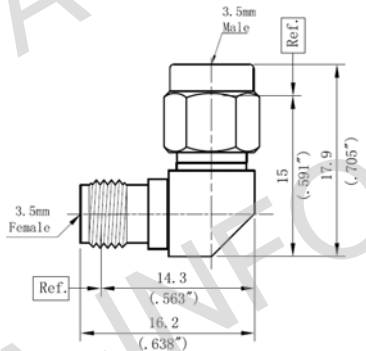
Housing: Type 303 Stainless Steel – Polished & Passivated

Center Contact: Beryllium Copper Plated Gold
(MIL-G-45204)

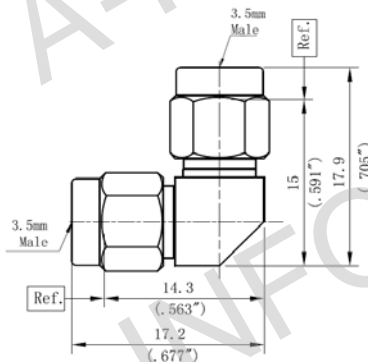
Insulators: PEI



P/N	HPA113-W01
Description	3.5mm/Female-3.5mm/Female
VSWR	DC-33GHz...1.25:1 max



P/N	HPA113-W02
Description	3.5mm/Male-3.5mm/Female
VSWR	DC-33GHz...1.25:1 max



P/N	HPA113-W03
Description	3.5mm/Male-3.5mm/Male
VSWR	DC-33GHz...1.25:1 max

2.92mm In-Series Adapters

Performance Features

Nominal Impedance: 50ohm

Frequency Range: DC-40GHz

Durability: 500 cycles

Operating Temperature: -55°C ~ +165°C

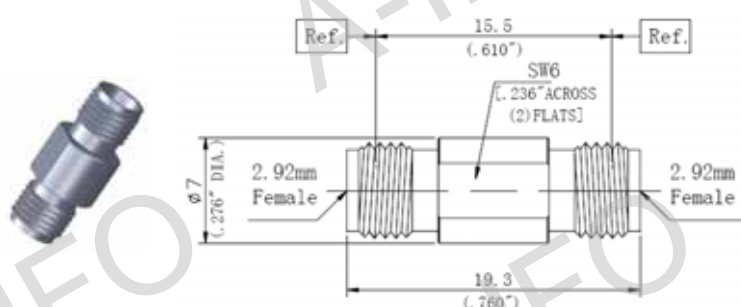
Materials/Finishes

Housing: Type 303 Stainless Steel- Polished & Passivated

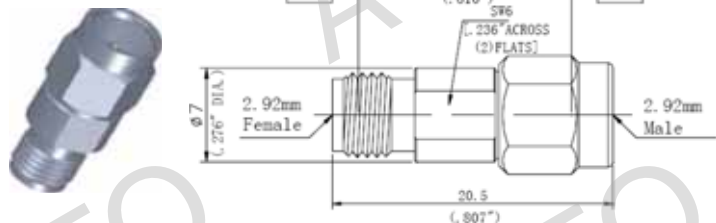
Center Contact: Beryllium Copper Plated Gold
(MIL-G-45204)

Insulators: PEI

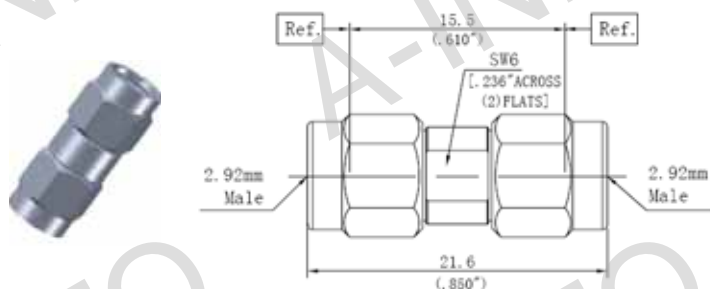
Interfaces: MIL-STD-348A



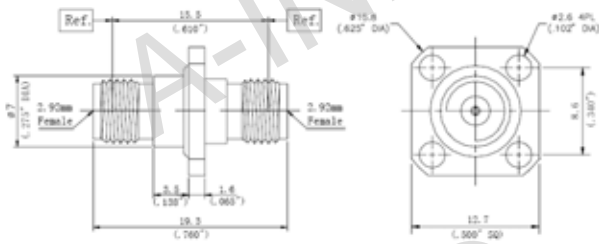
P/N	HPA114-01
Description	2.92mm/Female-2.92mm/Female
VSWR	DC-40GHz...1.20:1 max



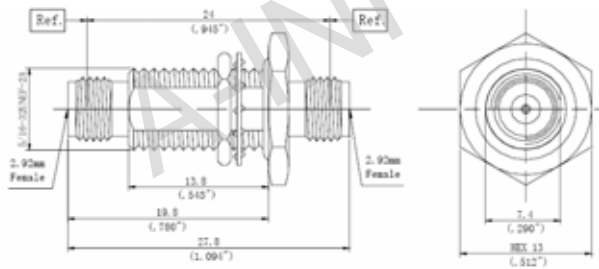
P/N	HPA114-02
Description	2.92mm/Male-2.92mm/Female
VSWR	DC-40GHz...1.15:1 max



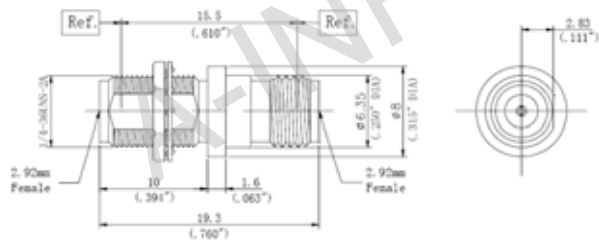
P/N	HPA114-03
Description	2.92mm/Male-2.92mm/Male
VSWR	DC-40GHz...1.15:1 max



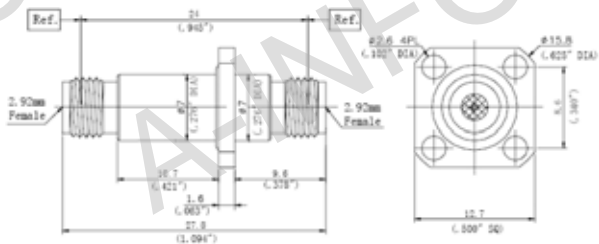
P/N	HPA114-04
Description	2.92mm/Female-2.92mm/Female
VSWR	DC-40GHz...1.20:1 max



P/N	HPA114-05
Description	2.92mm/Female-2.92mm/Female
VSWR	DC-40GHz...1.20:1 max



P/N	HPA114-06
Description	2.92mm/Female-2.92mm/Female
VSWR	DC-40GHz...1.20:1 max



P/N	HPA114-07
Description	2.92mm/Female-2.92mm/Female
VSWR	DC-40GHz...1.20:1 max

2.92mm In-Series Right Angle Adapters

Performance Features

Nominal Impedance: 50ohm

Frequency Range: DC-40GHz

Durability: 500 cycles

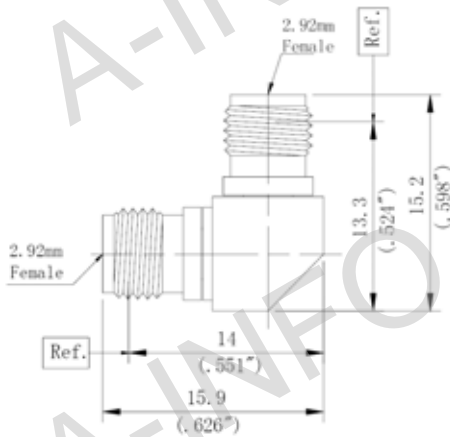
Operating Temperature: -55°C ~ +165°C

Materials/Finishes

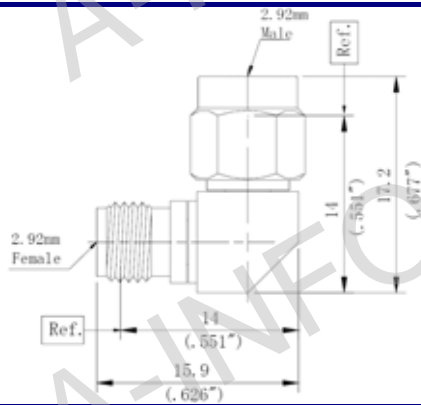
Housing: Type 303 Stainless Steel- Polished & Passivated

Center Contact: Beryllium Copper Plated Gold

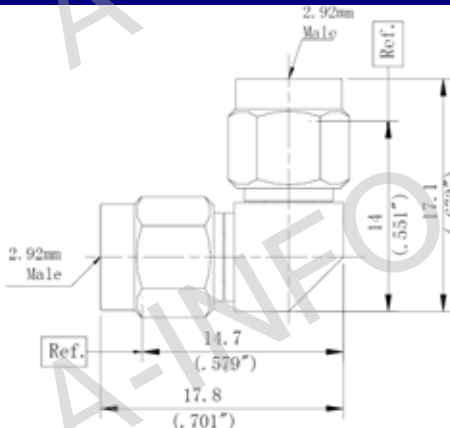
Insulators: PEI



P/N	HPA114-W01
Description	2.92mm/Female-2.92mm/Female
VSWR	DC-40GHz...1.25:1 max



P/N	HPA114-W02
Description	2.92mm/Male-2.92mm/Female
VSWR	DC-40GHz...1.25:1 max



P/N	HPA114-W03
Description	2.92mm/Male-2.92mm/Male
VSWR	DC-40GHz...1.25:1 max

2.4mm In-Series Adapters

Performance Features

Nominal Impedance: 50ohm

Frequency Range: DC-50GHz

Durability: 500cycles

Operating Temperature: -55°C ~ +165°C

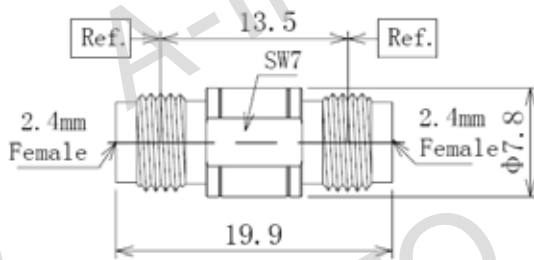
Materials/Finishes

Housing: Type 303 Stainless Steel – Polished & Passivated

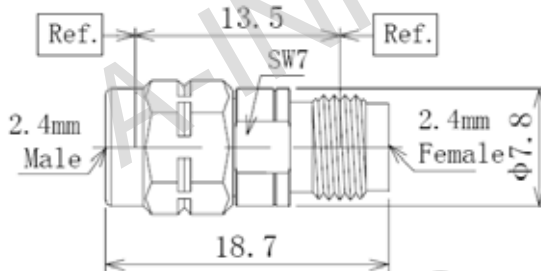
Center Contact: Beryllium Copper Plated Gold (MIL-G-45204)

Insulators: PEI

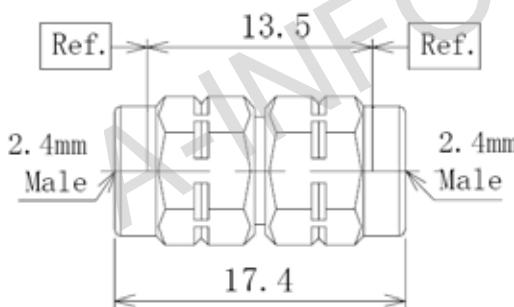
Interfaces: IEEE STD 287-2007



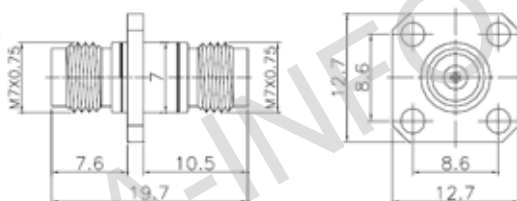
P/N	HPA115-01
Description	2.4mm/Female-2.4mm/Female
VSWR	DC-50GHz...1.20:1 max



P/N	HPA115-02
Description	2.4mm/Male-2.4mm/Female
VSWR	DC-50GHz...1.15:1 max



P/N	HPA115-03
Description	2.4mm/Male-2.4mm/Male
VSWR	DC-50GHz...1.15:1 max



P/N	HPA115-04
Description	2.4mm/Female-2.4mm/Female
VSWR	DC-50GHz...1.20:1 max

TNC In-Series Adapters

Performance Features

Nominal Impedance: 50ohm

Frequency Range: DC-11GHz

Durability: 500cycles

Operating Temperature: -55°C ~ +165°C

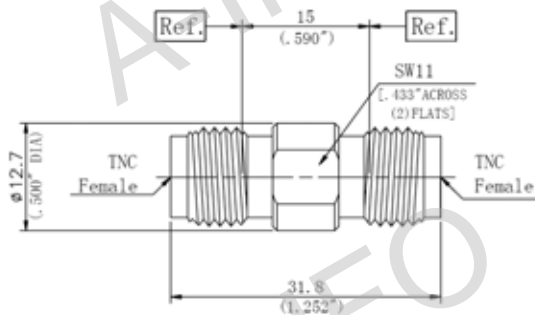
Materials/Finishes

Housing: Type 303 Stainless Steel – Polished & Passivated

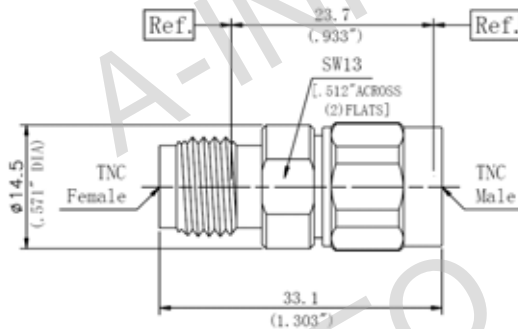
Center Contact: Beryllium Copper Plated Gold
(MIL-G-45204)

Insulators: PEI & PTFE

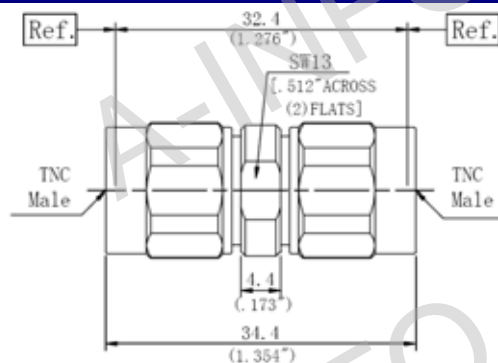
Interfaces: MIL-STD-348A



P/N	HPA116-01
Description	TNC/Female-TNC/Female
VSWR	DC-11GHz...1.15:1 max



P/N	HPA116-02
Description	TNC/Male-TNC/Female
VSWR	DC-11GHz...1.15:1 max



P/N	HPA116-03
Description	TNC/Male-TNC/Male
VSWR	DC-11GHz...1.15:1 max

TNCA In-Series Adapters

Performance Features

Nominal Impedance: 50ohm

Frequency Range: DC-18GHz

Durability: 500cycles

Operating Temperature: -55°C ~ +165°C

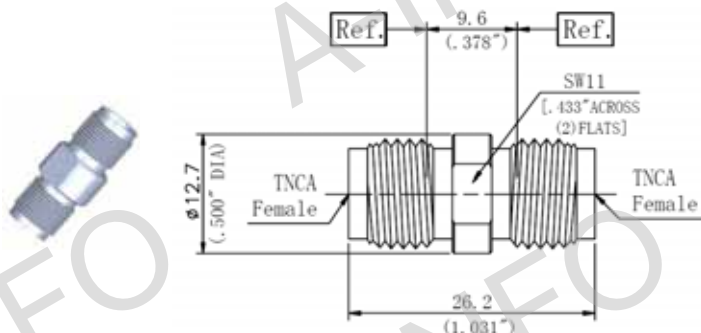
Materials/Finishes

Housing: Type 303 Stainless Steel – Polished & Passivated

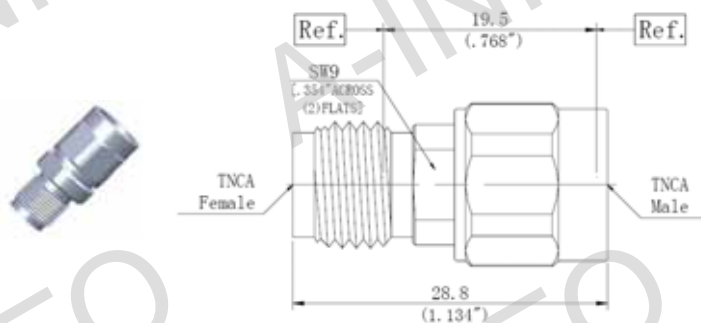
Center Contact: Beryllium Copper Plated Gold
(MIL-G-45204)

Insulators: PEI & PTFE

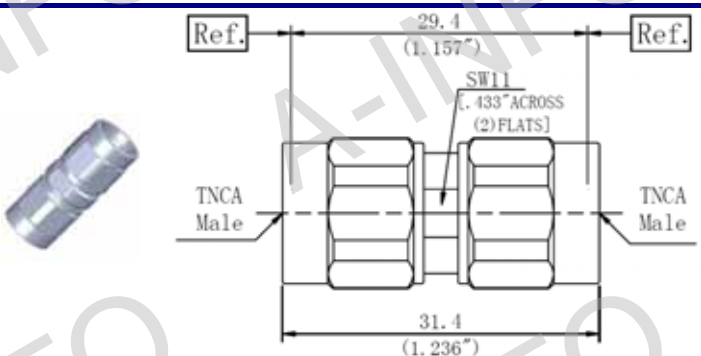
Interfaces: MIL-STD-348A



P/N	HPA117-01
Description	TNCA/Female-TNCA/Female
VSWR	DC-18GHz...1.15:1 max



P/N	HPA117-02
Description	TNCA/Male-TNCA/Female
VSWR	DC-18GHz...1.15:1 max



P/N	HPA117-03
Description	TNCA/Male-TNCA/Male
VSWR	DC-18GHz...1.15:1 max

1.85mm In-Series Adapters

Performance Features

Nominal Impedance: 50ohm

Frequency Range: DC-65GHz

Durability: 500cycles

Operating Temperature: -55°C ~ +165°C

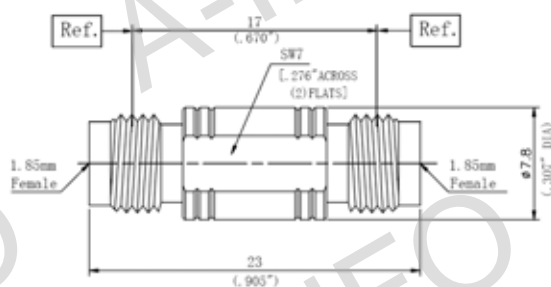
Materials/Finishes

Housing: Type 303 Stainless Steel – Polished & Passivated

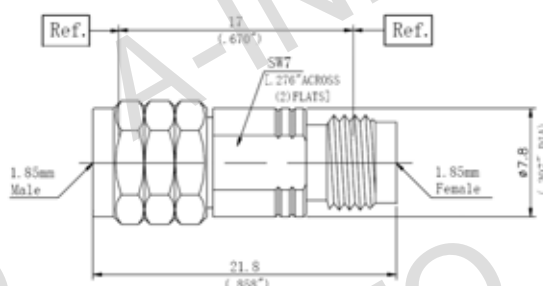
Center Contact: Beryllium Copper Plated Gold
(MIL-G-45204)

Insulators: PEI

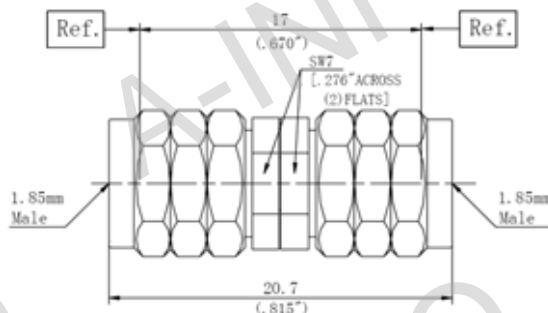
Interfaces: IEC-61169



P/N	HPA118-01
Description	1.85mm/Female-1.85mm/Female
VSWR	DC-65GHz...1.25:1 max



P/N	HPA118-02
Description	1.85mm/Male-1.85mm/Female
VSWR	DC-65GHz...1.25:1 max



P/N	HPA118-03
Description	1.85mm/Male-1.85mm/Male
VSWR	DC-65GHz...1.25:1 max

N-3.5mm Between Series Adapters

Performance Features

Nominal Impedance: 50ohm

Frequency Range: DC-18GHz

Durability: 500cycles

Operating Temperature: -55°C ~ +165°C

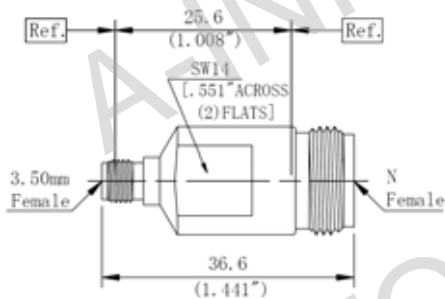
Materials/Finishes

Housing: Type 303 Stainless Steel – Polished & Passivated

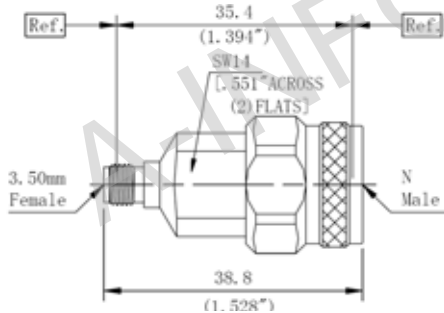
Center Contact: Beryllium Copper Plated Gold (MIL-G-45204)

Insulators: PEI

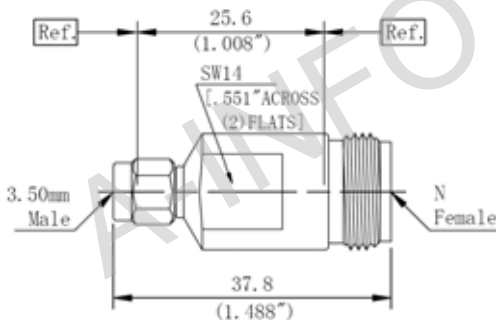
N Interfaces: MIL-STD-348A 3.5mm Interfaces: IEC-60169



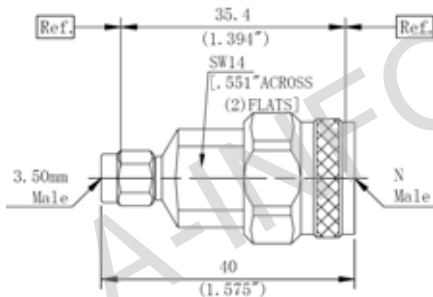
P/N	HPA121-01
Description	N/Female-3.5mm/Female
VSWR	DC-18GHz...1.15:1 max



P/N	HPA121-02
Description	N/Male-3.5mm/Female
VSWR	DC-18GHz...1.15:1 max



P/N	HPA121-03
Description	N/Female-3.5mm/Male
VSWR	DC-18GHz...1.15:1 max



P/N	HPA121-04
Description	N/Male-3.5mm/Male
VSWR	DC-18GHz...1.15:1 max

N-2.92mm Between Series Adapters

Performance Features

Nominal Impedance: 50ohm

Frequency Range: DC-18GHz

Durability: 500cycles

Operating Temperature: -55°C ~ +165°C

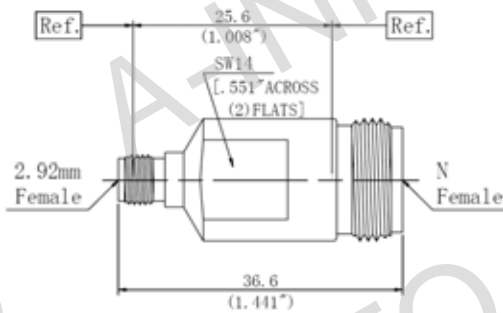
Materials/Finishes

Housing: Type 303 Stainless Steel – Polished & Passivated

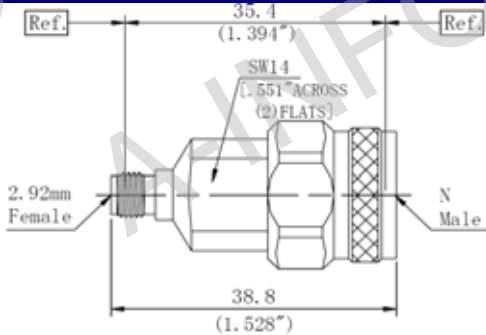
Center Contact: Beryllium Copper Plated Gold (MIL-G-45204)

Insulators: PEI

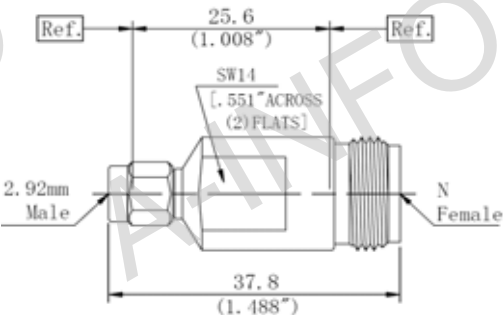
N/2.92mm Interfaces: MIL-STD-348A



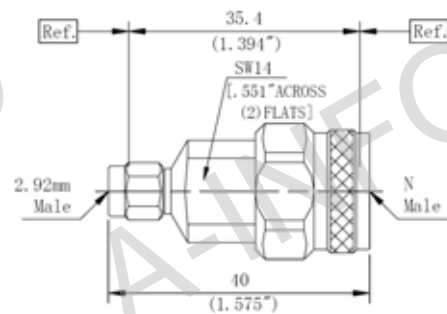
P/N	HPA122-01
Description	N/Female-2.92mm/Female
VSWR	DC-18GHz...1.15:1 max



P/N	HPA122-02
Description	N/Male-2.92mm/Female
VSWR	DC-18GHz...1.15:1 max



P/N	HPA122-03
Description	N/Female-2.92mm/Male
VSWR	DC-18GHz...1.15:1 max



P/N	HPA122-04
Description	N/Male-2.92mm/Male
VSWR	DC-18GHz...1.15:1 max

N-2.4mm Between Series Adapters

Performance Features

Nominal Impedance: 50ohm

Frequency Range: DC-18GHz

Durability: 500cycles

Operating Temperature: -55°C ~ +165°C

Materials/Finishes

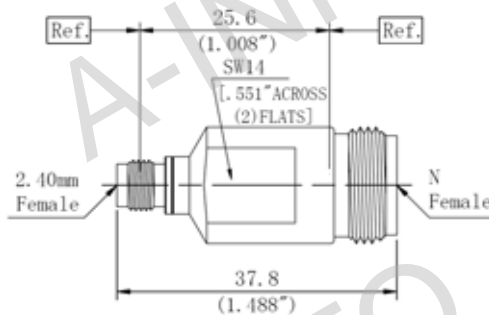
Housing: Type 303 Stainless Steel – Polished & Passivated

Center Contact: Beryllium Copper Plated Gold (MIL-G-45204)

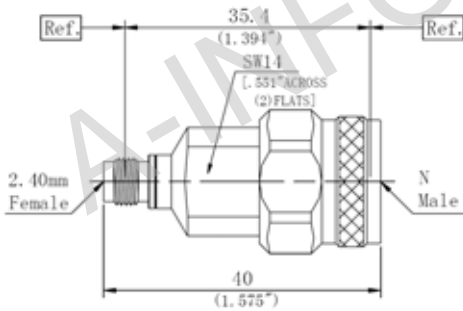
Insulators: PEI

N Interfaces: MIL-STD-348A

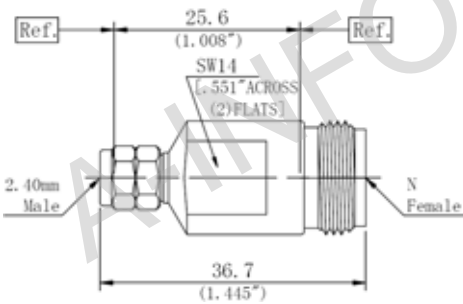
2.4mm Interfaces: STD 287-2007



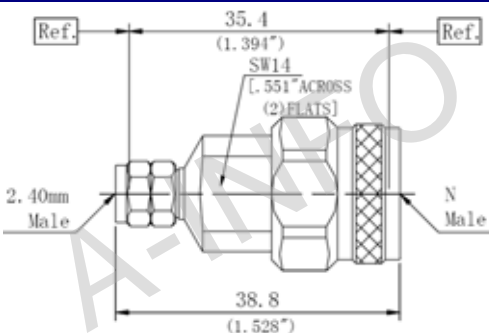
P/N	HPA123-01
Description	N/Female-2.4mm/Female
VSWR	DC-18GHz...1.15:1 max



P/N	HPA123-02
Description	N/Male-2.4mm/Female
VSWR	DC-18GHz...1.15:1 max



P/N	HPA123-03
Description	N/Female-2.4mm/Male
VSWR	DC-18GHz...1.15:1 max



P/N	HPA123-04
Description	N/Male-2.4mm/Male
VSWR	DC-18GHz...1.15:1 max

N-TNC Between Series Adapters

Performance Features

Nominal Impedance: 50ohm

Frequency Range: DC-11GHz

Durability: 500cycles

Operating Temperature: -55°C ~ +165°C

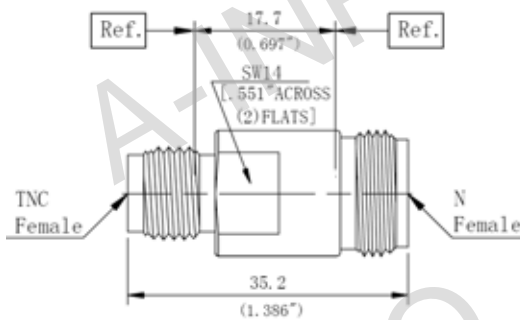
Materials/Finishes

Housing: Type 303 Stainless Steel – Polished & Passivated

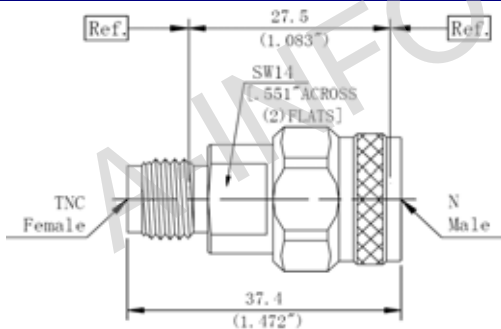
Center Contact: Beryllium Copper Plated Gold (MIL-G-45204)

Insulators: PEI

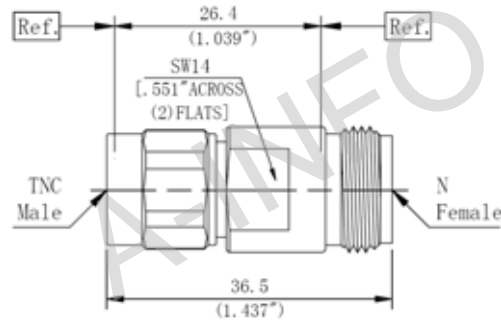
N/TNC Interfaces: MIL-STD-348A



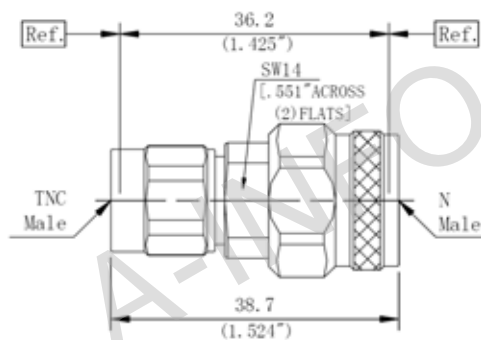
P/N	HPA124-01
Description	N/Female-TNC/Female
VSWR	DC-11GHz...1.15:1 max



P/N	HPA124-02
Description	N/Male-TNC/Female
VSWR	DC-11GHz...1.15:1 max



P/N	HPA124-03
Description	N/Female-TNC/Male
VSWR	DC-11GHz...1.15:1 max



P/N	HPA124-04
Description	N/Male-TNC/Male
VSWR	DC-11GHz...1.15:1 max

N-SMA Between Series Adapters

Performance Features

Nominal Impedance: 50ohm

Frequency Range: DC-18GHz

Durability: 500cycles

Operating Temperature: -55°C ~ +165°C

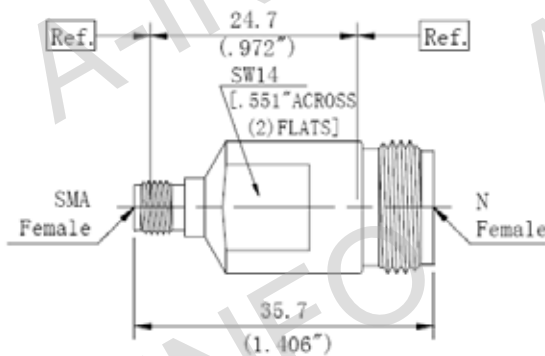
Materials/Finishes

Housing: Type 303 Stainless Steel – Polished & Passivated

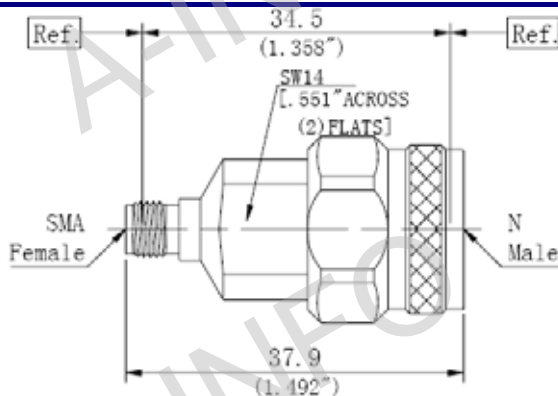
Center Contact: Beryllium Copper Plated Gold
(MIL-G-45204)

Insulators: PEI & PTFE

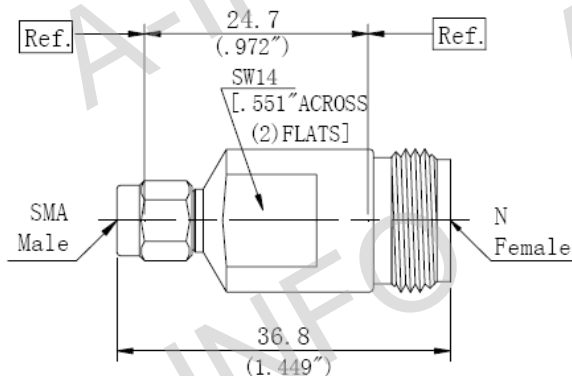
N/SMA Interfaces: MIL-STD-348A



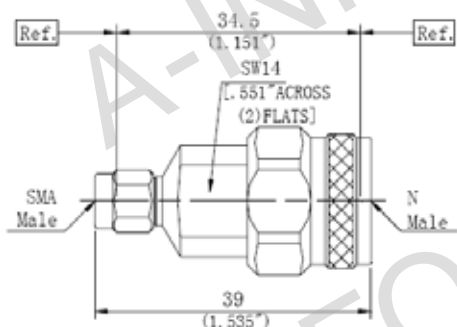
P/N	HPA125-01
Description	N/Female-SMA/Female
VSWR	DC-18GHz...1.15:1 max



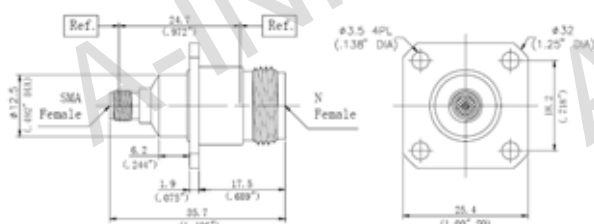
P/N	HPA125-02
Description	N/Male-SMA/Female
VSWR	DC-18GHz...1.15:1 max



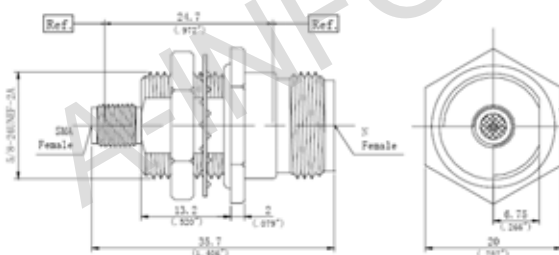
P/N	HPA125-03
Description	N/Female-SMA/Male
VSWR	DC-18GHz...1.15:1 max



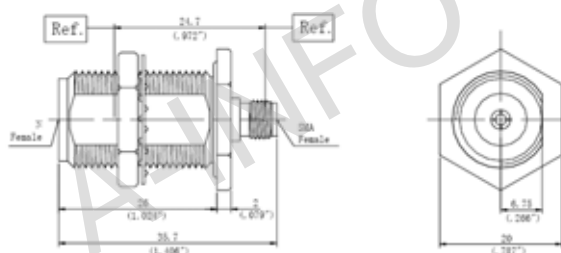
P/N	HPA125-04
Description	N/Male-SMA/Male
VSWR	DC-18GHz...1.15:1 max



P/N	HPA125-05
Description	N/Female-SMA/Female
VSWR	DC-18GHz...1.15:1 max



P/N	HPA125-06
Description	N/Female-SMA/Female
VSWR	DC-18GHz...1.15:1 max



P/N	HPA125-07
Description	N/Female-SMA/Female
VSWR	DC-18GHz...1.15:1 max

N-TNCA Between Series Adapters

Performance Features

Nominal Impedance: 50ohm

Frequency Range: DC-18GHz

Durability: 500cycles

Operating Temperature: -55°C ~ +165°C

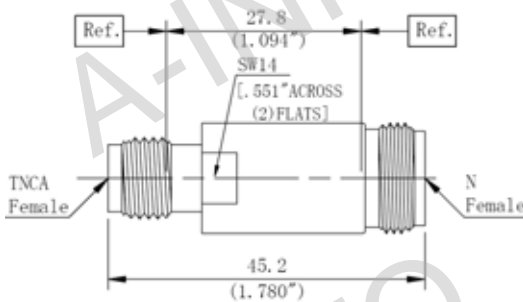
Materials/Finishes

Housing: Type 303 Stainless Steel – Polished & Passivated

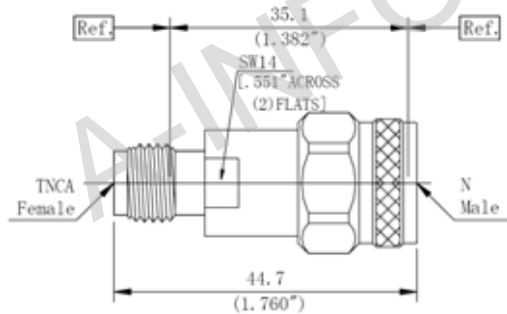
Center Contact: Beryllium Copper Plated Gold (MIL-G-45204)

Insulators: PEI

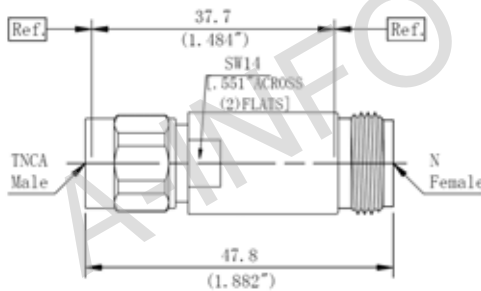
N/TNCA Interfaces: MIL-STD-348A



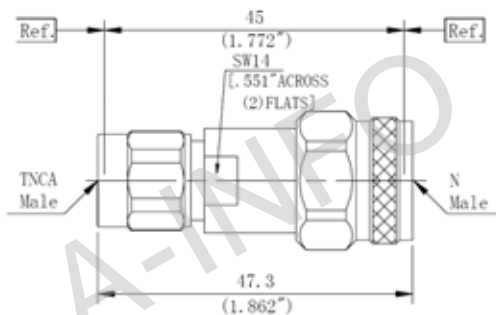
P/N	HPA126-01
Description	N/Female-TNCA/Female
VSWR	DC-18GHz...1.15:1 max



P/N	HPA126-02
Description	N/Male-TNCA/Female
VSWR	DC-18GHz...1.15:1 max



P/N	HPA126-03
Description	N/Female-TNCA/Male
VSWR	DC-18GHz...1.15:1 max



P/N	HPA126-04
Description	N/Male-TNCA/Male
VSWR	DC-18GHz...1.15:1 max

3.5mm-2.92mm Between Series Adapters

Performance Features

Nominal Impedance: 50ohm

Frequency Range: DC-33GHz

Durability: 500cycles

Operating Temperature: -55°C ~ +165°C

Materials/Finishes

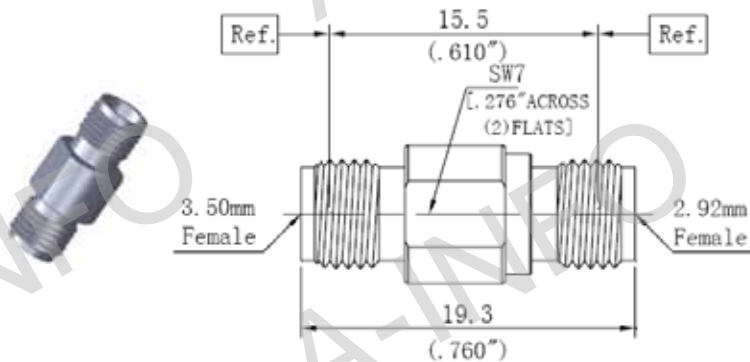
Housing: Type 303 Stainless Steel – Polished & Passivated

Center Contact: Beryllium Copper Plated Gold (MIL-G-45204)

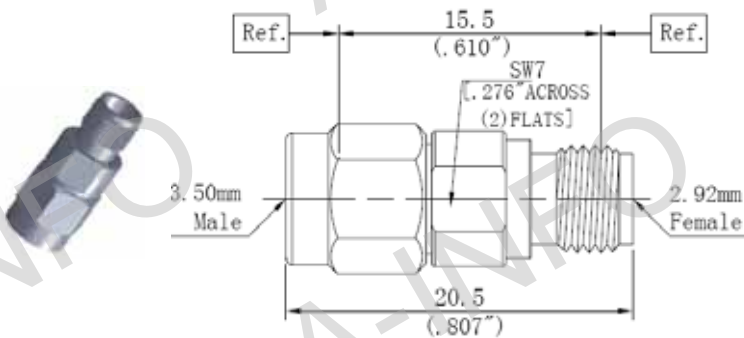
Insulators: PEI

3.5mm Interfaces: IEC-60169

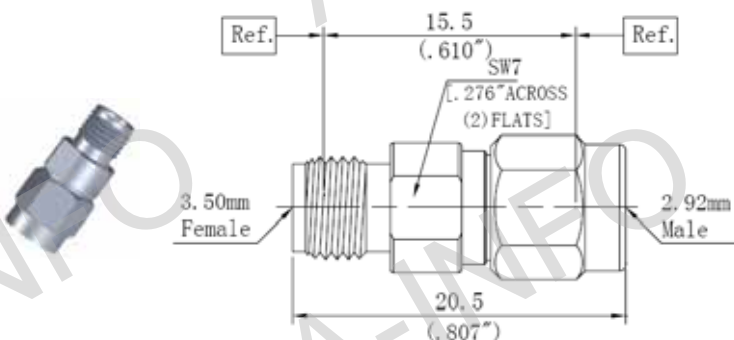
2.92mm Interfaces: MIL-STD-348A



P/N	HPA131-01
Description	3.5mm/Female-2.92mm/Female
VSWR	DC-33GHz...1.15:1 max

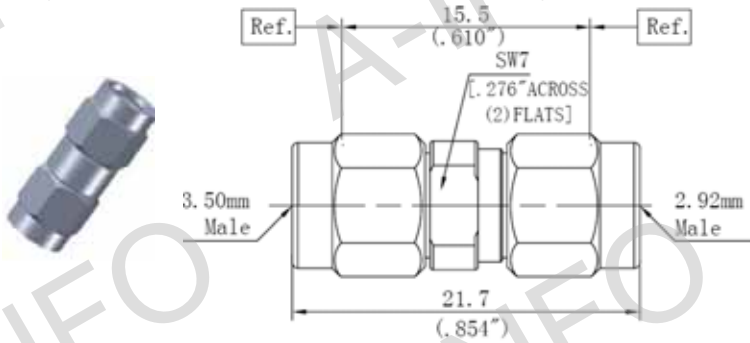


P/N	HPA131-02
Description	3.5mm/Male-2.92mm/Female
VSWR	DC-33GHz...1.15:1 max

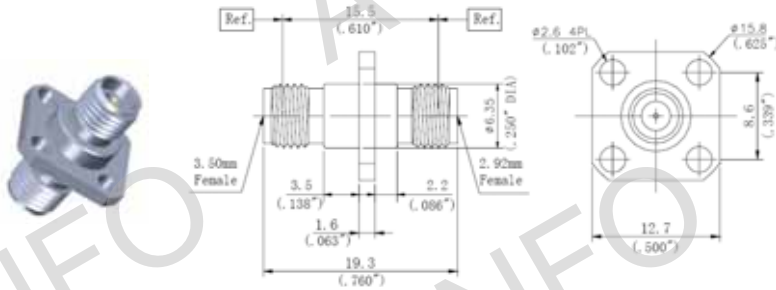


P/N	HPA131-03
Description	3.5mm/Female-2.92mm/Male
VSWR	DC-33GHz...1.15:1 max

3.5mm-2.92mm Adapters



P/N	HPA131-04
Description	3.5mm/Male-2.92mm/Male
VSWR	DC-33GHz...1.15:1 max



P/N	HPA131-05
Description	3.5mm/Female-2.92mm/Female
VSWR	DC-33GHz...1.15:1 max

3.5mm-2.4mm Between Series Adapters

Performance Features

Nominal Impedance: 50ohm

Frequency Range: DC-33GHz

Durability: 500cycles

Operating Temperature: -55°C ~ +165°C

Materials/Finishes

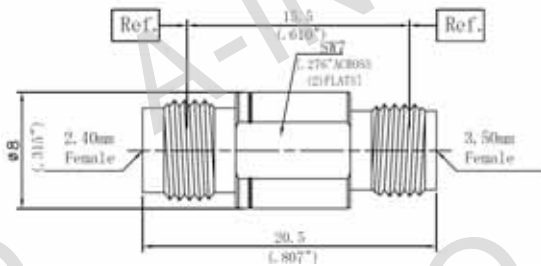
Housing: Type 303 Stainless Steel – Polished & Passivated

Center Contact: Beryllium Copper Plated Gold (MIL-G-45204)

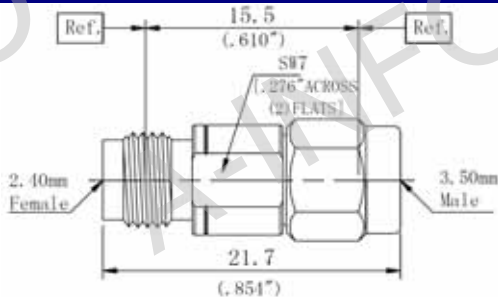
Insulators: PEI

3.5mm Interfaces: IEC-60169

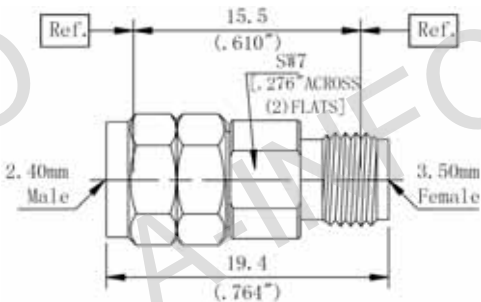
2.4mm Interfaces: STD 287-2007



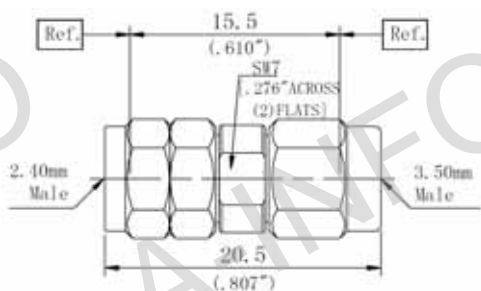
P/N	HPA132-01
Description	3.5mm/Female-2.4mm/Female
VSWR	DC-33GHz...1.15:1 max



P/N	HPA132-02
Description	3.5mm/Male-2.4mm/Female
VSWR	DC-33GHz...1.15:1 max



P/N	HPA132-03
Description	3.5mm/Female-2.4mm/Male
VSWR	DC-33GHz...1.15:1 max



P/N	HPA132-04
Description	3.5mm/Male-2.4mm/Male
VSWR	DC-33GHz...1.15:1 max

3.5mm-SMA Between Series Adapters

Performance Features

Nominal Impedance: 50ohm

Frequency Range: DC-27GHz

Durability: 500cycles

Operating Temperature: -55°C ~ +165°C

Materials/Finishes

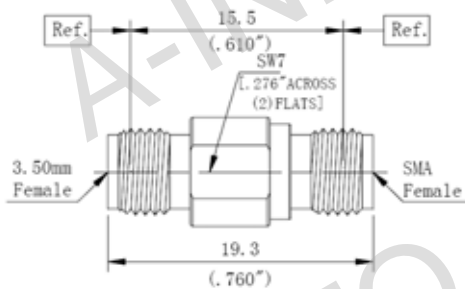
Housing: Type 303 Stainless Steel – Polished & Passivated

Center Contact: Beryllium Copper Plated Gold (MIL-G-45204)

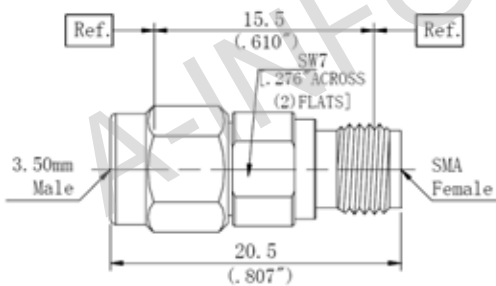
Insulators: PEI & PTFE

3.5mm Interfaces: IEC-60169

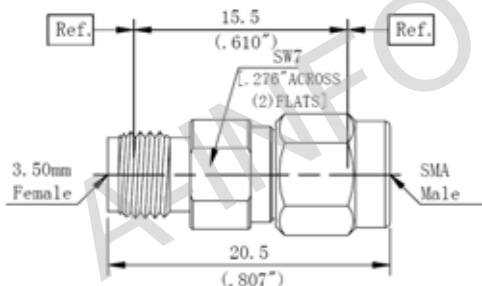
SMA Interfaces: MIL-STD-348A



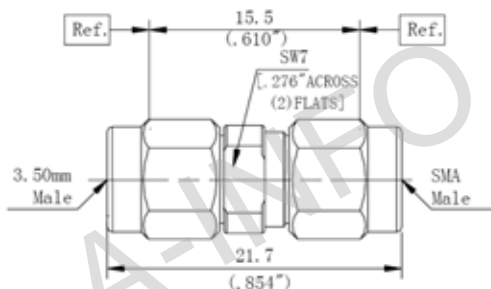
P/N	HPA133-01
Description	3.5mm/Female-SMA/Female
VSWR	DC-27GHz...1.15:1 max



P/N	HPA133-02
Description	3.5mm/Male-SMA/Female
VSWR	DC-27GHz...1.15:1 max



P/N	HPA133-03
Description	3.5mm/Female-SMA/Male
VSWR	DC-27GHz...1.15:1 max



P/N	HPA133-04
Description	3.5mm/Male-SMA/Male
VSWR	DC-27GHz...1.15:1 max

3.5mm-1.85mm Between Series Adapters

Performance Features

Nominal Impedance: 50ohm

Frequency Range: DC-33GHz

Durability: 500cycles

Operating Temperature: -55°C ~ +165°C

Materials/Finishes

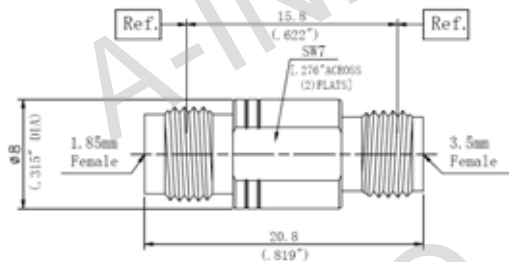
Housing: Type 303 Stainless Steel – Polished & Passivated

Center Contact: Beryllium Copper Plated Gold (MIL-G-45204)

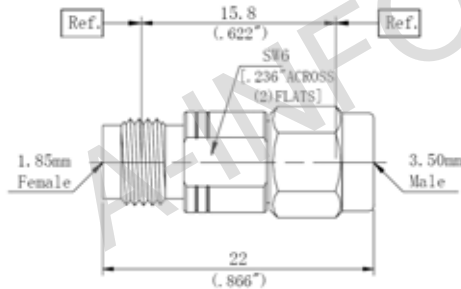
Insulators: PEI

3.5mm Interfaces: IEC-60169

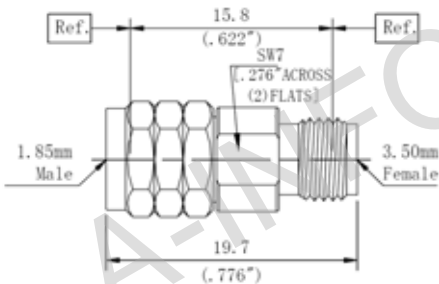
1.85mm Interfaces: IEC-61169



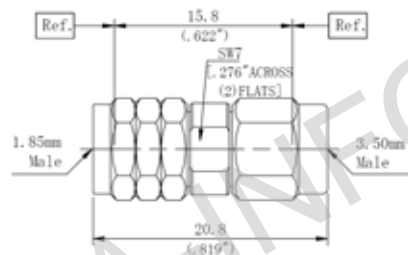
P/N	HPA134-01
Description	3.5mm/Female-1.85/Female
VSWR	DC-33GHz...1.15:1 max



P/N	HPA134-02
Description	3.5mm/Male-1.85/Female
VSWR	DC-33GHz...1.15:1 max



P/N	HPA134-03
Description	3.5mm/Female-1.85/Male
VSWR	DC-33GHz...1.15:1 max



P/N	HPA134-04
Description	3.5mm/Male-1.85/Male
VSWR	DC-33GHz...1.15:1 max

2.92mm-2.4mm Between Series Adapters

Performance Features

Nominal Impedance: 50ohm

Frequency Range: DC-40GHz

Durability: 500cycles

Operating Temperature: -55°C ~ +165°C

Materials/Finishes

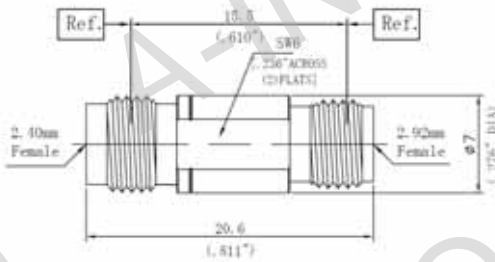
Housing: Type 303 Stainless Steel – Polished & Passivated

Center Contact: Beryllium Copper Plated Gold (MIL-G-45204)

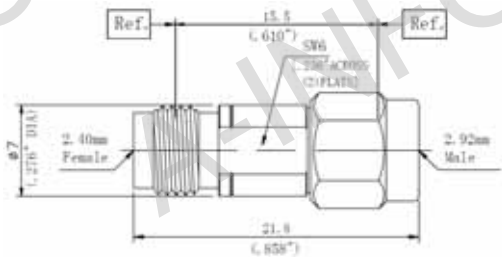
Insulators: PEI

2.92mm Interfaces: MIL-STD-348A

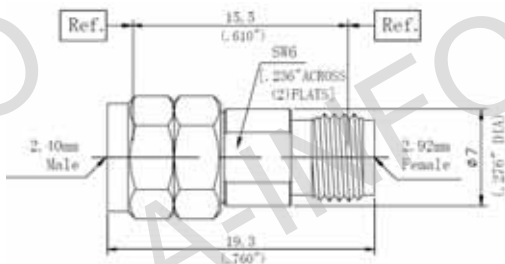
2.4mm Interfaces: STD 287-2007



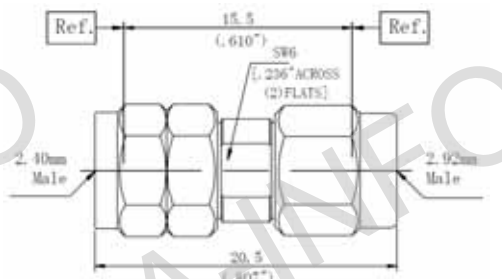
P/N	HPA151-01
Description	2.92mm/Female-2.4mm/Female
VSWR	DC-40GHz...1.20:1 max



P/N	HPA151-02
Description	2.92mm/Male-2.4mm/Female
VSWR	DC-40GHz...1.15:1 max



P/N	HPA151-03
Description	2.92mm/Female-2.4mm/Male
VSWR	DC-40GHz...1.15:1 max



P/N	HPA151-04
Description	2.92mm/Male-2.4mm/Male
VSWR	DC-40GHz...1.15:1 max

2.92mm-SMA Between Series Adapters

Performance Features

Nominal Impedance: 50ohm

Frequency Range: DC-27GHz

Durability: 500cycles

Operating Temperature: -55°C ~ +165°C

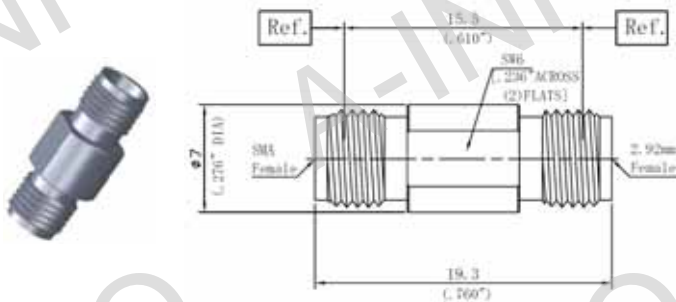
Materials/Finishes

Housing: Type 303 Stainless Steel – Passivated

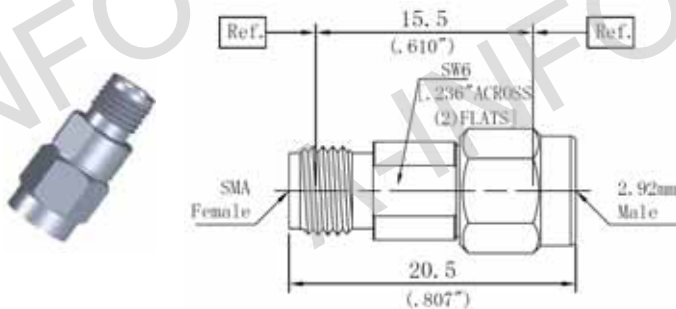
Center Contact: Beryllium Copper Plated Gold (MIL-G-45204)

Insulators: PEI & PTFE

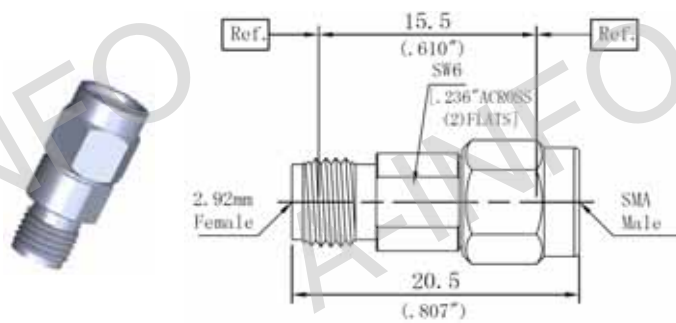
2.92mm/SMA Interfaces: MIL-STD-348A



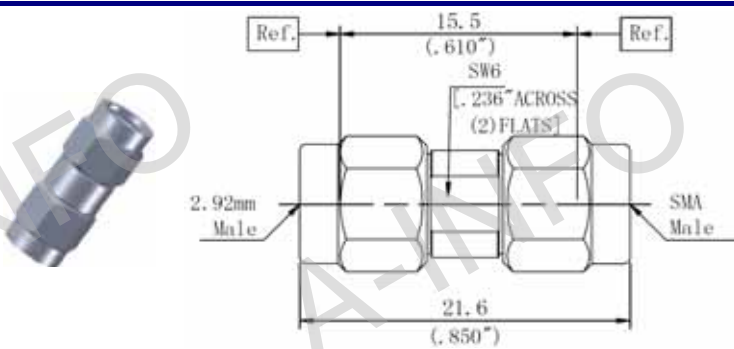
P/N	HPA152-01
Description	2.92mm/Female-SMA/Female
VSWR	DC-27GHz...1.15:1 max



P/N	HPA152-02
Description	2.92mm/Male-SMA/Female
VSWR	DC-27GHz...1.15:1 max



P/N	HPA152-03
Description	2.92mm/Female-SMA/Male
VSWR	DC-27GHz...1.15:1 max



P/N	HPA152-04
Description	2.92mm/Male-SMA/Male
VSWR	DC-27GHz...1.15:1 max

2.92mm-1.85mm Between Series Adapters

Performance Features

Nominal Impedance: 50ohm

Frequency Range: DC-40GHz

Durability: 500cycles

Operating Temperature: -55°C ~ +165°C

Materials/Finishes

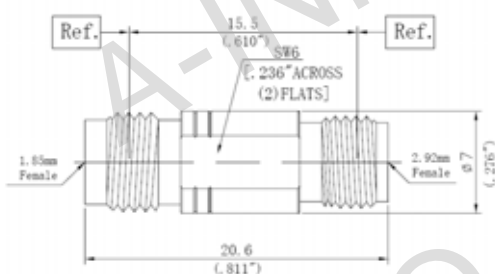
Housing: Type 303 Stainless Steel – Passivated

Center Contact: Beryllium Copper Plated Gold (MIL-G-45204)

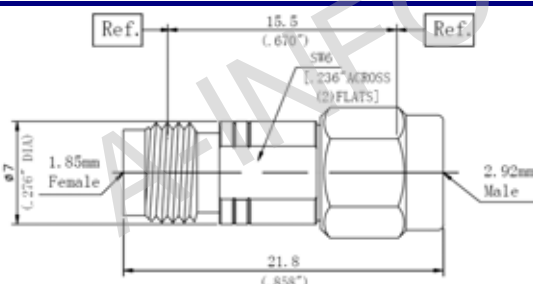
Insulators: PEI

2.92mm Interfaces: MIL-STD-348A

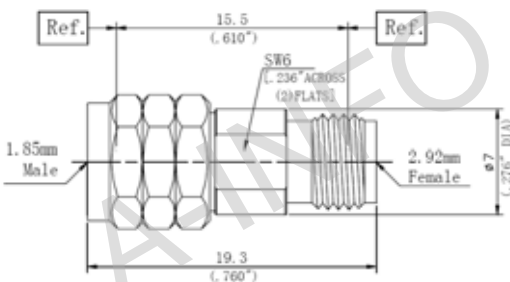
1.85mm Interfaces: IEC-61169



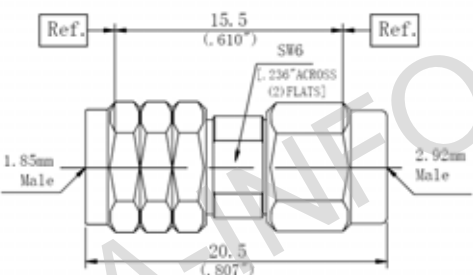
P/N	HPA153-01
Description	2.92mm/Female-1.85/Female
VSWR	DC-40GHz...1.20:1 max



P/N	HPA153-02
Description	2.92mm/Male-1.85/Female
VSWR	DC-40GHz...1.15:1 max



P/N	HPA153-03
Description	2.92mm/Female-1.85/Male
VSWR	DC-40GHz...1.15:1 max



P/N	HPA153-04
Description	2.92mm/Male-1.85/Male
VSWR	DC-40GHz...1.15:1 max

2.4mm-SMA Between Series Adapters

Performance Features

Nominal Impedance: 50ohm

Frequency Range: DC-27GHz

Durability: 500cycles

Operating Temperature: -55°C ~ +165°C

Materials/Finishes

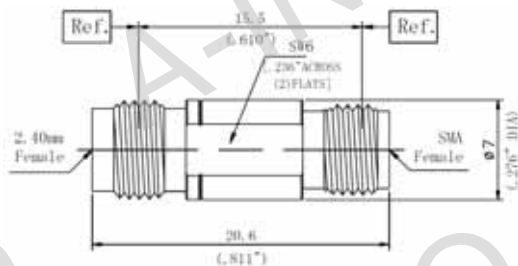
Housing: Type 303 Stainless Steel – Polished & Passivated

Center Contact: Beryllium Copper Plated Gold (MIL-G-45204)

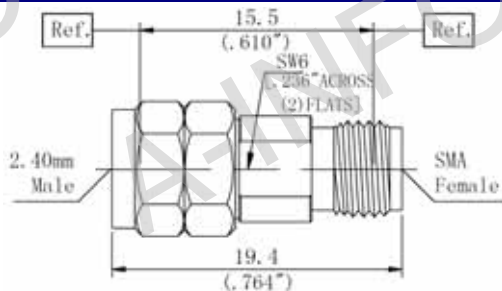
Insulators: PEI & PTFE

2.4mm Interfaces: STD 287-2007

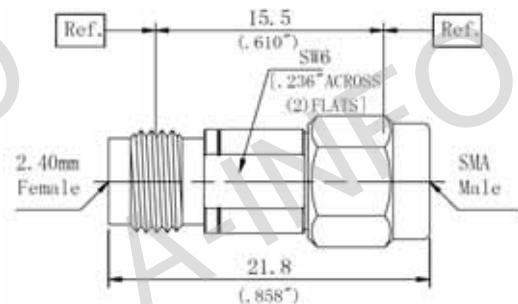
SMA Interfaces: MIL-STD-348A



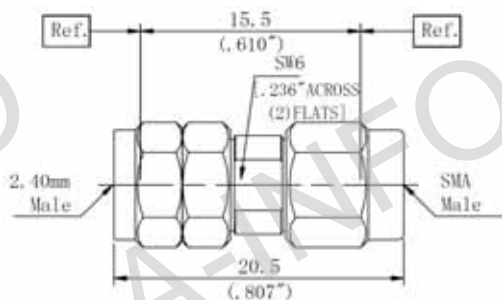
P/N	HPA161-01
Description	2.4mm/Female-SMA/Female
VSWR	DC-27GHz...1.15:1 max



P/N	HPA161-02
Description	2.4mm/Male-SMA/Female
VSWR	DC-27GHz...1.15:1 max



P/N	HPA161-03
Description	2.4mm/Female-SMA/Male
VSWR	DC-27GHz...1.15:1 max



P/N	HPA161-04
Description	2.4mm/Male-SMA/Male
VSWR	DC-27GHz...1.15:1 max

2.4mm-1.85mm Between Series Adapters

Performance Features

Nominal Impedance: 50ohm

Frequency Range: DC-50GHz

Durability: 500cycles

Operating Temperature: -55°C ~ +165°C

Materials/Finishes

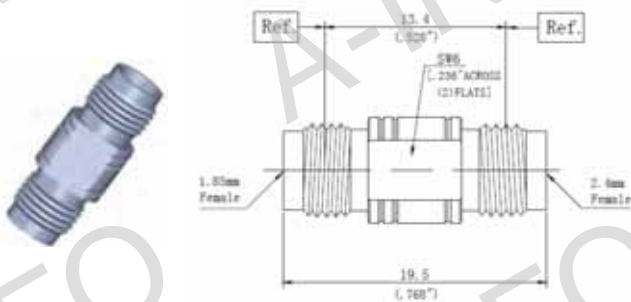
Housing: Type 303 Stainless Steel – Passivated

Center Contact: Beryllium Copper Plated Gold (MIL-G-45204)

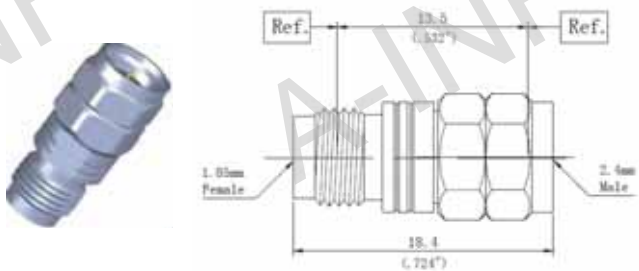
Insulators: PEI

2.4mm Interfaces: STD 287-2007

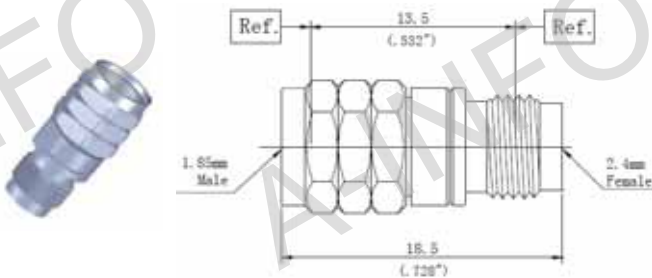
1.85mm Interfaces: IEC-61169



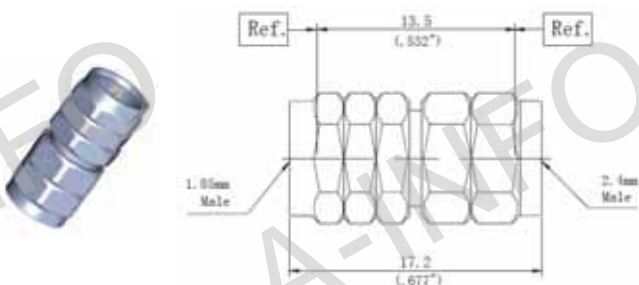
P/N	HPA162-01
Description	2.4mm/Female-1.85/Female
VSWR	DC-50GHz...1.25:1 max



P/N	HPA162-02
Description	2.4mm/Male-1.85/Female
VSWR	DC-50GHz...1.25:1 max



P/N	HPA162-03
Description	2.4mm/Female-1.85/Male
VSWR	DC-50GHz...1.25:1 max



P/N	HPA162-04
Description	2.4mm/Male-1.85/Male
VSWR	DC-50GHz...1.25:1 max

TNC-SMA Between Series Adapters

Performance Features

Nominal Impedance: 50ohm

Frequency Range: DC-11GHz

Durability: 500cycles

Operating Temperature: -55°C ~ +165°C

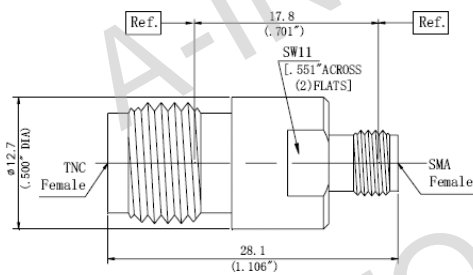
Materials/Finishes

Housing: Type 303 Stainless Steel – Polished & Passivated

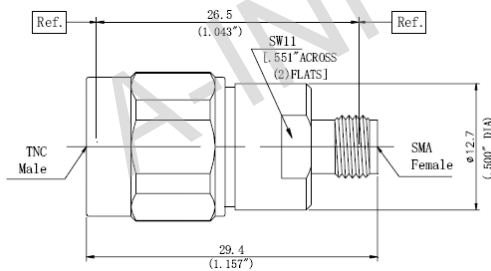
Center Contact: Beryllium Copper Plated Gold
(MIL-G-45204)

Insulators: PEI & PTFE

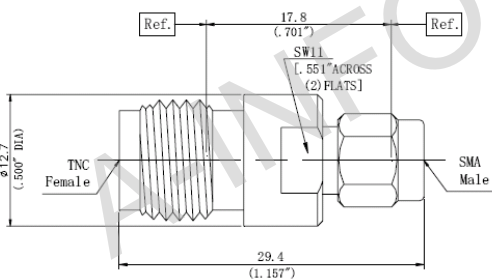
TNC/SMA Interfaces: MIL-STD-348A



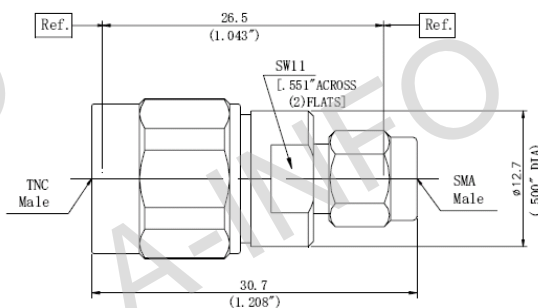
P/N	HPA171-01
Description	TNC/Female-SMA/Female
VSWR	DC-11GHz...1.15:1 max



P/N	HPA171-02
Description	TNC/Male-SMA/Female
VSWR	DC-11GHz...1.15:1 max



P/N	HPA171-03
Description	TNC/Female-SMA/Male
VSWR	DC-11GHz...1.15:1 max



P/N	HPA171-04
Description	TNC/Male-SMA/Male
VSWR	DC-11GHz...1.15:1 max

TNCA-SMA Between Series Adapters

Performance Features

Nominal Impedance: 50ohm

Frequency Range: DC-18GHz

Durability: 500cycles

Operating Temperature: -50°C ~ +165°C

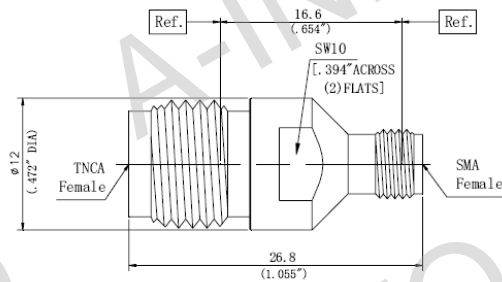
Materials/Finishes

Housing: Type 303 Stainless Steel – Polished & Passivated

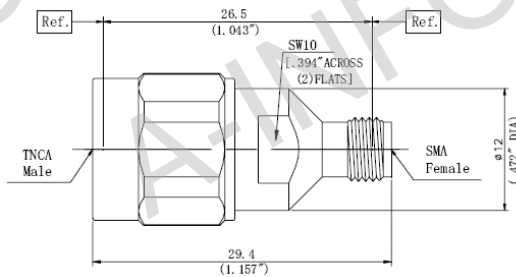
Center Contact: Beryllium Copper Plated Gold
(MIL-G-45204)

Insulators: PEI & PTFE

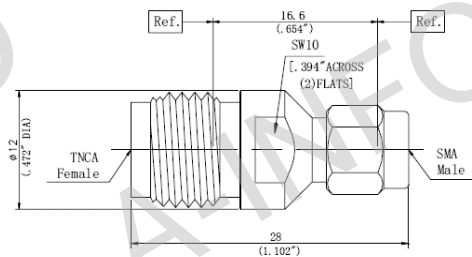
TNCA/SMA Interfaces: MIL-STD-348A



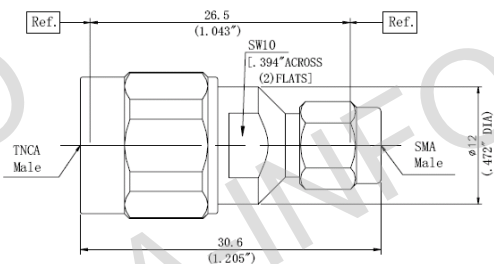
P/N	HPA172-01
Description	TNCA/Female-SMA/Female
VSWR	DC-18GHz...1.15:1 max



P/N	HPA172-02
Description	TNCA/Male-SMA/Female
VSWR	DC-18GHz...1.15:1 max



P/N	HPA172-03
Description	TNCA/Female-SMA/Male
VSWR	DC-18GHz...1.15:1 max



P/N	HPA172-04
Description	TNCA/Male-SMA/Male
VSWR	DC-18GHz...1.15:1 max

7mm Series Adapters

Performance Features

Nominal Impedance: 50ohm

Frequency Range: DC-18GHz

Durability: 500cycles

Operating Temperature: -55°C ~ +165°C

Materials/Finishes

Housing: Type 303 Stainless Steel – Polished & Passivated

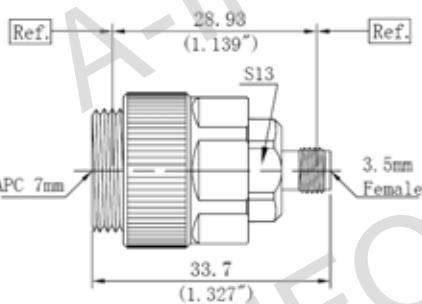
Center Contact: Beryllium Copper Plated Gold
(MIL-G-45204)

Insulators: PEI

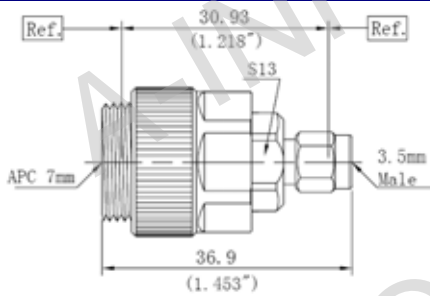
N Interfaces: MIL-STD-348A

7mm Interfaces: IEC-60457

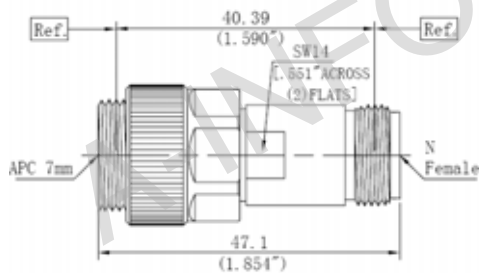
3.5mm Interfaces: IEC-60169



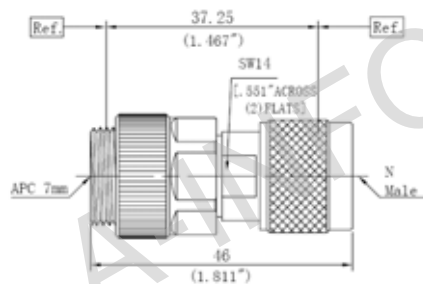
P/N	HPA181-01
Description	7mm-3.5mm/Female
VSWR	DC-18GHz...1.10:1 max



P/N	HPA181-02
Description	7mm-3.5mm/Male
VSWR	DC-18GHz...1.10:1 max



P/N	HPA181-03
Description	7mm-N/Female
VSWR	DC-18GHz...1.10:1 max



P/N	HPA181-04
Description	7mm-N/Male
VSWR	DC-18GHz...1.10:1 max

Quick Replacement Adapters

Performance Features

Nominal Impedance: 50ohm

Durability: 500cycles

Operating Temperature: -55°C ~ +165°C

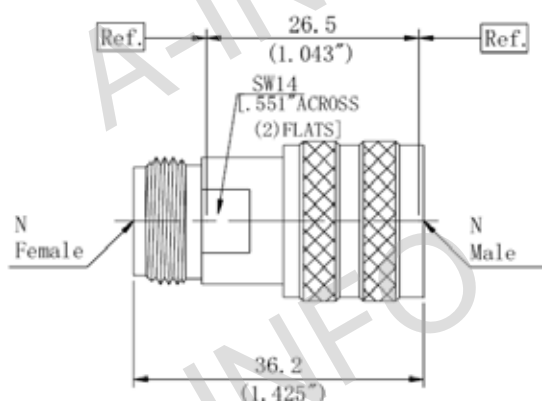
Materials/Finishes

Housing: Type 303 Stainless Steel-Polished & Passivated

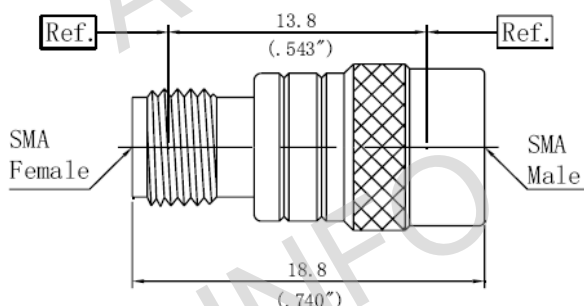
Center Contact: Beryllium Copper Plated Gold
(MIL-G-45204)

Insulators: PEI or PEI & PTFE

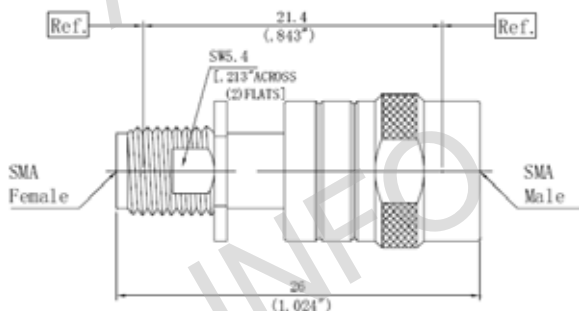
N/SMA Interfaces: MIL-STD-348A



P/N	HPA191-01
Description	N/Male-N/Female
VSWR	DC-18GHz...1.15:1 max



P/N	HPA191-02
Description	SMA/Male-SMA/Female
VSWR	DC-27GHz...1.20:1 max



P/N	HPA191-03
Description	SMA/Male-SMA/Female
VSWR	DC-27GHz...1.25:1 max

Adapter Kits

China(Beijing):
China(Chengdu):
USA :

Tel: (+86) 10-6266-7326,
Tel: (+86) 28-8519-2786,
Tel: (+1) 949-346-7326,

(+86) 10-6266-7327
(+86) 28-8519-3044
(+1) 949-639-9660

Fax: (+86) 10-6266-7379
Fax: (+86) 28-8519-3068
Fax: (+1) 949-639-9659

Website: www.ainfoinc.com
Email: sales@ainfoinc.com

3.5mm Adapter Kits			
P/N S35			
P/N	Description	Page	Quantity
HPA113-01	3.5mm/Female-3.5mm/Female	95	2
HPA113-02	3.5mm/Male-3.5mm/Female	95	2
HPA113-03	3.5mm/Male-3.5mm/Male	95	2
HPA131-01	3.5mm/Female-2.92mm/Female	110	2
HPA131-02	3.5mm/Male-2.92mm/Female	110	2
HPA131-03	3.5mm/Female-2.92mm/Male	110	2
HPA131-04	3.5mm/Male-2.92mm/Male	111	2
HPA121-01	3.5mm/Female-N/Female	103	2
HPA121-02	3.5mm/Female-N/Male	103	2
HPA121-03	3.5mm/Male-N/Female	103	2
HPA121-04	3.5mm/Male-N/Male	103	2

2.92mm Adapter Kits			
P/N S36			
P/N	Description	Page	Quantity
HPA114-01	2.92mm/Female-2.92/Female	96	2
HPA114-02	2.92mm/Male-2.92mm/Female	96	2
HPA114-03	2.92mm/Male-2.92mm/Male	96	2
HPA131-01	2.92mm/Female-3.5mm/Female	110	2
HPA131-02	2.92mm/Female-3.5mm/Male	110	2
HPA131-03	2.92mm/Male-3.5mm/Female	110	2
HPA131-04	2.92mm/Male-3.5mm/Male	111	2
HPA151-01	2.92mm/Female-2.4mm/Female	115	2
HPA151-02	2.92mm/Male-2.4mm/Female	115	2
HPA151-03	2.92mm/Female-2.4mm/Male	115	2
HPA151-04	2.92mm/Male-2.4mm/Male	115	2
HPA152-01	2.92mm/Female-SMA/Female	117	2
HPA152-02	2.92mm/Male-SMA/Female	117	2
HPA152-03	2.92mm/Female-SMA/Male	117	2
HPA152-04	2.92mm/Male-SMA/Male	117	2
HPA122-01	2.92mm/Female-N/Female	104	2
HPA122-02	2.92mm/Female-N/Male	104	2
HPA122-03	2.92mm/Male-N/Female	104	2
HPA122-04	2.92mm/Male-N/Male	104	2

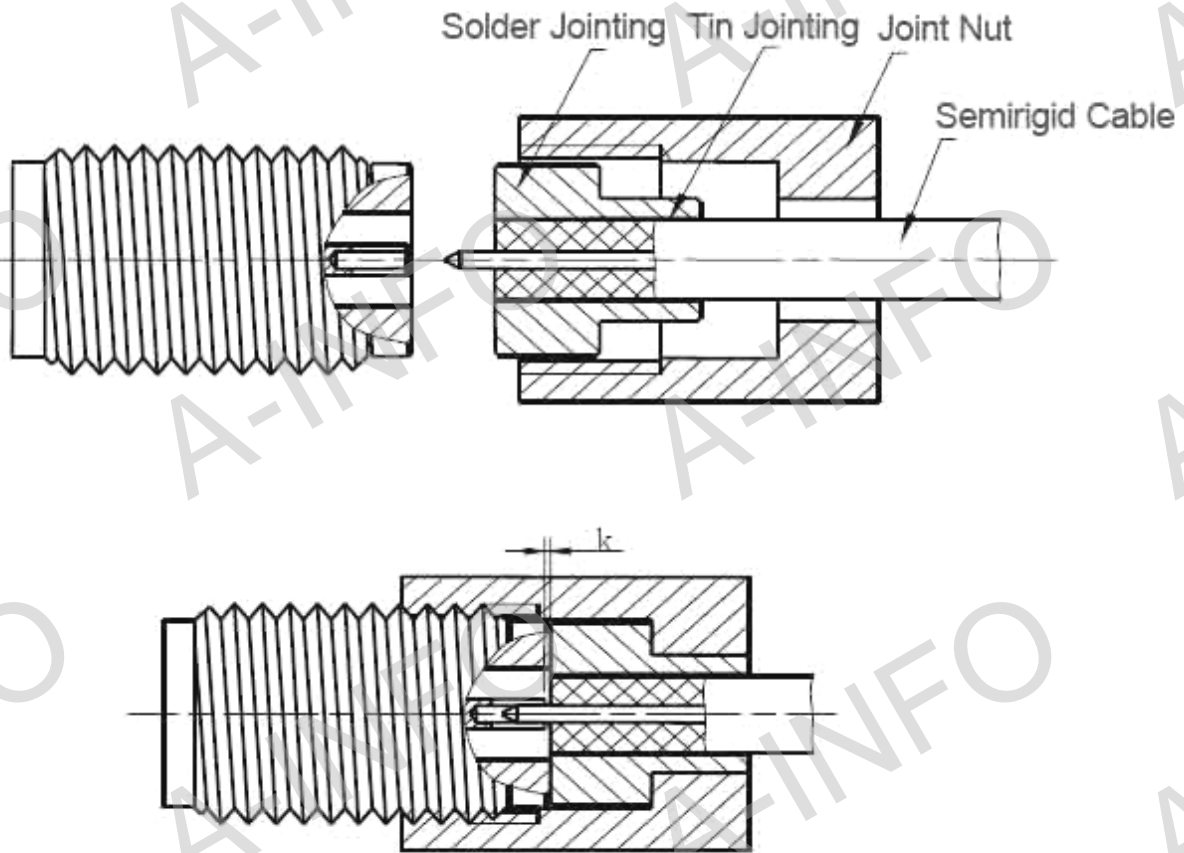
2.4mm Adapter Kits			
P/N S37			
P/N	Description	Page	Quantity
HPA115-01	2.4mm/Female-2.4mm/Female	99	2
HPA115-02	2.4mm/Male-2.4mm/Female	99	2
HPA115-03	2.4mm/Male-2.4mm/Male	99	2
HPA132-01	2.4mm/Female-3.5mm/Female	112	2
HPA132-02	2.4mm/Female-3.5mm/Male	112	2
HPA132-03	2.4mm/Male-3.5mm/Female	112	2
HPA132-04	2.4mm/Male-3.5mm/Male	112	2
HPA151-01	2.4mm/Female-2.92mm/Female	115	2
HPA151-02	2.4mm/Female-2.92mm/Male	115	2
HPA151-03	2.4mm/Male-2.92mm/Female	115	2
HPA151-04	2.4mm/Male-2.92mm/Male	115	2
HPA161-01	2.4mm/Female-SMA/Female	119	2
HPA161-02	2.4mm/Male-SMA/Female	119	2
HPA161-03	2.4mm/Female-SMA/Male	119	2
HPA161-04	2.4mm/Male-SMA/Male	119	2
HPA123-01	2.4mm/Female-N/Female	105	2
HPA123-02	2.4mm/Female-N/Male	105	2
HPA123-03	2.4mm/Male-N/Female	105	2
HPA123-04	2.4mm/Male-N/Male	105	2

Application Notes

Thread-in connector for cable assembly

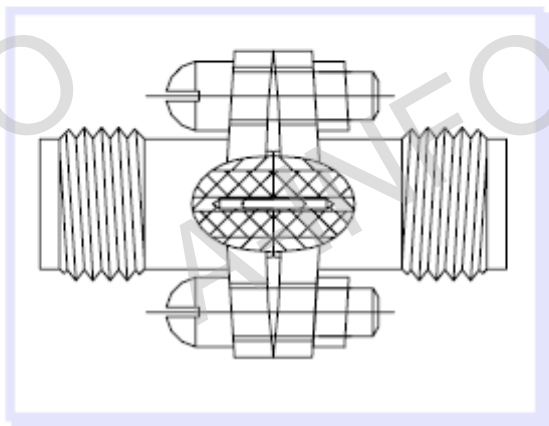
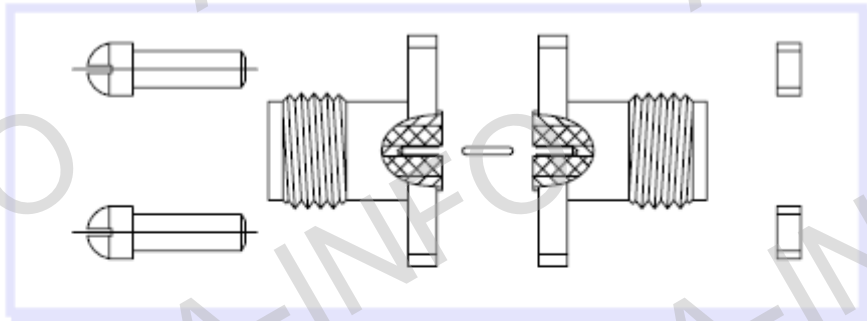
The SMA,2.92mm,2.4mm thread-in connectors offered by A-info can be used not only for microwave devices,but also for cable assemblies.The advantages are:

1. Good accordance by reducing requirement of soldering process;
2. Good compatibility,SMA,2.92mm,2.4mm connectors can be used exchangeable.

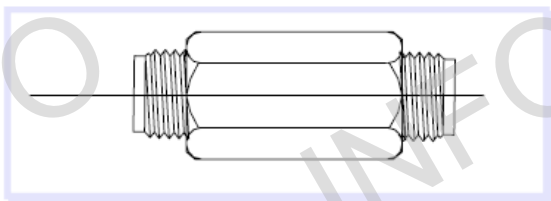
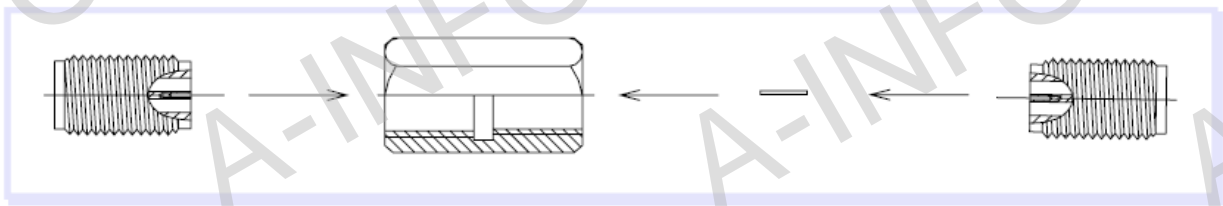


Back to Back Connector Testing Method

1、



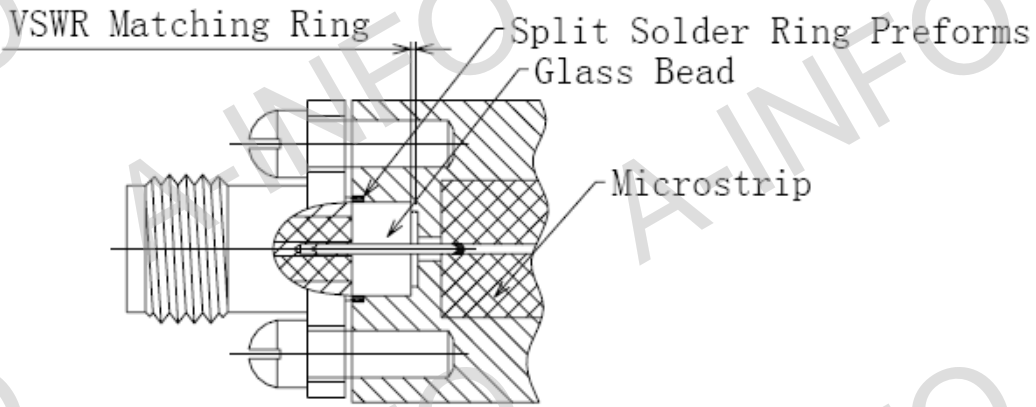
2、



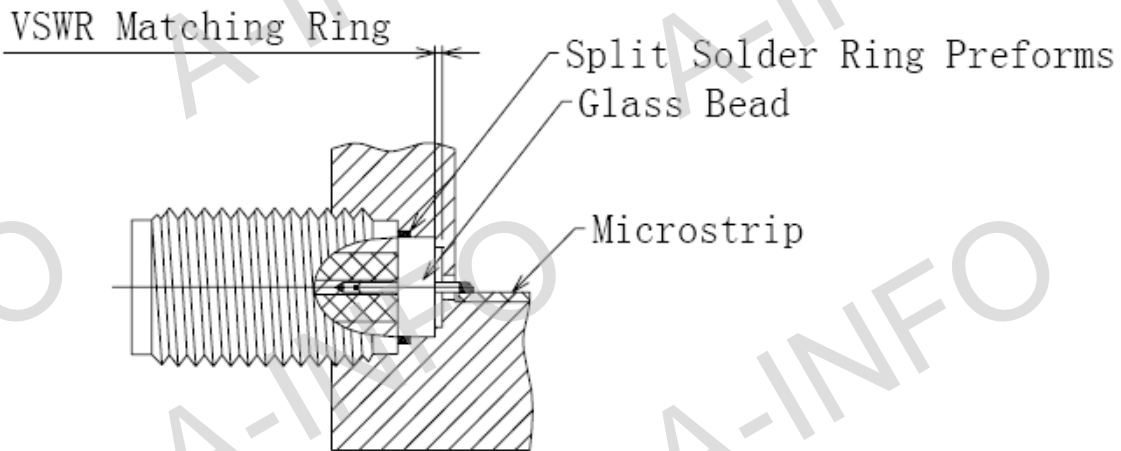
3、 Taking the square root of the peak VSWR will provide the value for a single connector.

Connector Installation Schematic Drawing

1、



2、

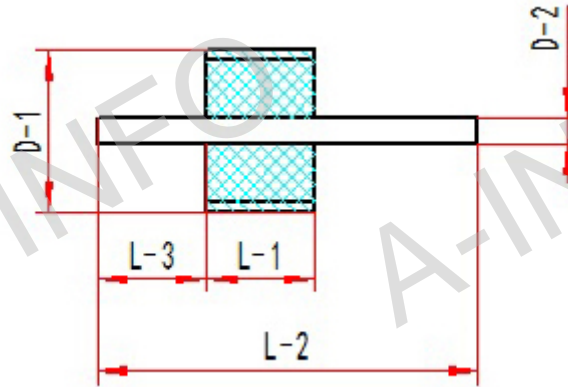


Glass Beads

Glass Beads



Straight Cut(ST)



P/N	Type	D-2	D-1	L-1	L-2	L-3
YL44150314	ST	0.3	2	1.4	4.4	1.5
YL80460314	ST	0.3	2	1.4	8	4.6
YL39040316	ST	0.3	2	1.6	3.9	0.4
YL80460316	ST	0.3	2	1.6	8	4.6
YL804603816	ST	0.38	2.5	1.6	8	4.6
YL1202003816	ST	0.38	2.5	1.6	12	2
YL902003820	ST	0.38	2.5	2	9	2
YL1202203830	ST	0.38	2.5	3	12	2.2
YL521104516	ST	0.45	2.8	1.6	5.2	1.1
YL804604516	ST	0.45	2.8	1.6	8	4.6
YL1203004516	ST	0.45	2.8	1.6	12	3
YL78200516	ST	0.5	3	1.6	7.8	2
YL120500516	ST	0.5	3	1.6	12	5
YL60150520	ST	0.5	3	2	6	1.5
YL65220520	ST	0.5	3	2	6.5	2.2
YL85220520	ST	0.5	3	2	8.5	2.2
YL120400520	ST	0.5	3	2	12	4
YL120500520	ST	0.5	3	2	12	5

Cable Assembly

DC-3GHz Cable Assembly

Performance Features

Nominal Impedance: 50ohm

Low Insertion Loss, Low VSWR

Frequency Range: DC-3GHz

High Stability

Operating Temperature: -40°C ~ +85°C

-XX: Customized Length(mm)

Connector: SMA, N available

Model	Freq. Range (GHz)	VSWR Max.	Insertion Loss (dB) Max.	Connector
SM-SM-SFD147A-3-XX	DC-3	1.10	0.90dB/m	SMA-Male/ SMA-Male

Model	Freq. Range (GHz)	VSWR Max.	Insertion Loss (dB) Max.	Connector
NM-NM-SFD147A-3-XX	DC-3	1.10	0.90dB/m	N-Male/ N-Male

DC-6GHz Cable Assembly

Performance Features

Nominal Impedance: 50ohm

Low Insertion Loss, Low VSWR

Frequency Range: DC-6GHz

High Stability

Operating Temperature: -40°C ~ +85°C

-XX: Customized Length(mm)

Connector: SMA, N available

Model	Freq. Range (GHz)	VSWR Max.	Insertion Loss (dB) Max.	Connector
SM-SM-SFD147A-6-XX	DC-6	1.15	1.50dB/m	SMA-Male/ SMA-Male

Model	Freq. Range (GHz)	VSWR Max.	Insertion Loss (dB) Max.	Connector
NM-NM-SFD147A-6-XX	DC-6	1.15	1.50dB/m	N-Male/ N-Male

DC-12GHz Cable Assembly

Performance Features

Nominal Impedance: 50ohm

Low Insertion Loss, Low VSWR

Frequency Range: DC-12GHz

High Stability

Operating Temperature: -40°C ~ +85°C

-XX: Customized Length(mm)

Connector: SMA, N available

Model	Freq. Range (GHz)	VSWR Max.	Insertion Loss (dB) Max.	Connector
SM-SM-SFD147A-12-XX	DC-12	1.25	2.0dB/m	SMA-Male/ SMA-Male
SM-SM-SFD210A-12-XX	DC-12	1.25	1.6dB/m	SMA-Male/ SMA-Male
SM-SM-SFD32051-12-XX	DC-12	1.25	1.2dB/m	SMA-Male/ SMA-Male
SM-SM-GORE3507-12-XX	DC-12	1.25	1.83dB/m	SMA-Male/ SMA-Male
SM-SM-GORE3449-12-XX	DC-12	1.25	1.36dB/m	SMA-Male/ SMA-Male
SM-SM-GORE3450-12-XX	DC-12	1.25	1.05dB/m	SMA-Male/ SMA-Male

Model	Freq. Range (GHz)	VSWR Max.	Insertion Loss (dB) Max.	Connector
NM-NM-SFD147A-12-XX	DC-12	1.30	2.0dB/m	N-Male/ N-Male
NM-NM-SFD210A-12-XX	DC-12	1.30	1.6dB/m	N-Male/ N-Male
NM-NM-SFD32051-12-XX	DC-12	1.30	1.2dB/m	N-Male/ N-Male
NM-NM-GORE3507-12-XX	DC-12	1.30	1.83dB/m	N-Male/ N-Male
NM-NM-GORE3449-12-XX	DC-12	1.30	1.36dB/m	N-Male/ N-Male
NM-NM-GORE3450-12-XX	DC-12	1.30	1.05dB/m	N-Male/ N-Male

DC-18GHz Cable Assembly

Performance Features

Nominal Impedance: 50ohm

Low Insertion Loss, Low VSWR

Frequency Range: DC-18GHz

High Stability

Operating Temperature: -40°C ~ +85°C

-XX: Customized Length(mm)

Connector: SMA, N available

Model	Freq. Range (GHz)	VSWR Max.	Insertion Loss (dB) Max.	Connector
SM-SM-SFD147A-18-XX	DC-18	1.25	2.45dB/m	SMA-Male/ SMA-Male
SM-SM-SFD210A-18-XX	DC-18	1.30	1.73dB/m	SMA-Male/ SMA-Male
SM-SM-SFD32051-18-XX	DC-18	1.30	1.32dB/m	SMA-Male/ SMA-Male
SM-SM-GORE3507-18-XX	DC-18	1.30	2.16dB/m	SMA-Male/ SMA-Male
SM-SM-GORE3449-18-XX	DC-18	1.25	1.56dB/m	SMA-Male/ SMA-Male
SM-SM-GORE3450-18-XX	DC-18	1.25	1.18dB/m	SMA-Male/ SMA-Male

Model	Freq. Range (GHz)	VSWR Max.	Insertion Loss (dB) Max.	Connector
NM-NM-SFD147A-18-XX	DC-18	1.30	2.45dB/m	N-Male/ N-Male
NM-NM-SFD210A-18-XX	DC-18	1.30	1.73dB/m	N-Male/ N-Male
NM-NM-SFD32051-18-XX	DC-18	1.30	1.32dB/m	N-Male/ N-Male
NM-NM-GORE3507-18-XX	DC-18	1.30	2.16dB/m	N-Male/ N-Male
NM-NM-GORE3449-18-XX	DC-18	1.30	1.56dB/m	N-Male/ N-Male
NM-NM-GORE3450-18-XX	DC-18	1.30	1.18dB/m	N-Male/ N-Male

DC-26.5GHz Cable Assembly

Performance Features

Nominal Impedance: 50ohm

Low Insertion Loss, Low VSWR

Frequency Range: DC-26.5GHz

High Stability

Operating Temperature: -40°C ~ +85°C

-XX: Customized Length(mm)

Connector: SMA, 3.5mm available

Model	Freq. Range (GHz)	VSWR Max.	Insertion Loss (dB) Max.	Connector
SM-SM-SFD147A-26.5-XX	DC-26.5	1.35	3.0dB/m	SMA-Male/ SMA-Male
SM-SM-SFD210A-26.5-XX	DC-26.5	1.35	2.4dB/m	SMA-Male/ SMA-Male
SM-SM-GORE3507-26.5-XX	DC-26.5	1.30	3.0dB/m	SMA-Male/ SMA-Male
SM-SM-GORE3449-26.5-XX	DC-26.5	1.30	2.4dB/m	SMA-Male/ SMA-Male

DC-40GHz Cable Assembly

Performance Features

Nominal Impedance: 50ohm

Low Insertion Loss, Low VSWR

Frequency Range: DC-40GHz

High Stability

Operating Temperature: -40°C ~ +85°C

-XX: Customized Length(mm)

Connector: 2.4mm, 2.92mm available

Model	Freq. Range (GHz)	VSWR Max.	Insertion Loss (dB) Max.	Connector
2.4M-2.4M-SFD147A-40-XX	DC-40	1.35	3.9dB/m	2.4mm-Male/ 2.4mm-Male
2.4M-2.4M-GORE3507-40-XX	DC-40	1.35	3.6dB/m	2.4mm-Male/ 2.4mm-Male

Model	Freq. Range (GHz)	VSWR Max.	Insertion Loss (dB) Max.	Connector
2.92M-2.92M-SFD147A-40-XX	DC-40	1.35	3.9dB/m	2.92mm-Male/ 2.92mm-Male
2.92M-2.92M-GORE3507-40-XX	DC-40	1.35	3.6dB/m	2.92mm-Male/ 2.92mm-Male

DC-50GHz Cable Assembly

Performance Features

Nominal Impedance: 50ohm

Low Insertion Loss, Low VSWR

Frequency Range: DC-50GHz

High Stability

Phase and Amplitude Stability

-XX: Customized Length(mm)

Connector: 2.4mm available

Model	Freq. Range (GHz)	VSWR Max.	Insertion Loss (dB) Max.	Connector
2.4M-2.4M-JMT50-XX	DC-50	1.35	4.2dB/m	2.4mm-Male/ 2.4mm-Male

DC-67GHz Cable Assembly

Performance Features

Nominal Impedance: 50ohm

Low Insertion Loss, Low VSWR

Frequency Range: DC-67GHz

High Stability

Phase and Amplitude Stability

-XX: Customized Length(mm)

Connector: 1.85mm available

Model	Freq. Range (GHz)	VSWR Max.	Insertion Loss (dB) Max.	Connector
1.85M-1.85M-JMT67-XX	DC-67	1.50	8.2dB/m	1.85mm-Male/ 1.85mm-Male



ООО «4ТЕСТ»

Телефон: +7 (499) 685-4444

info@4test.ru

www.4test.ru